

Milwaukee®

Nothing but **HEAVY DUTY**®



C 18 HZ

Original instructions

Originalbetriebsanleitung

Notice originale

Istruzioni originali

Manual original

Oorspronkelijke gebruiksaanwijzing

Original brugsanvisning

Original bruksanvisning

Bruksanvisning i original

Alkuperäiset ohjeet

Πρωτότυπο οδηγιών χρήσης

Orijinal işletme talimatı

Původním návodem k

používání

Pôvodný návod na použitie

Instrukcją oryginalną

Eredeti használati utasítás

Izvirna navodila

Originalne pogonske upute

Instrukcijām oriģinālvalodā

Originalni instrukcija

Algupärane kasutusjuhend

Оригинальное руководство по эксплуатации

Оригинално ръководство за експлоатация

Instrucțiuni de folosire originale

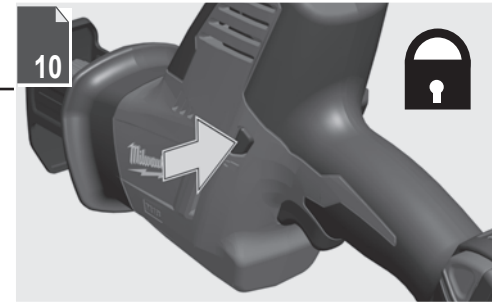
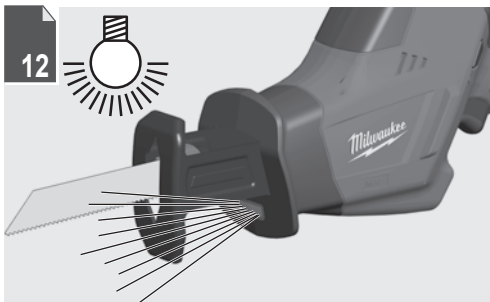
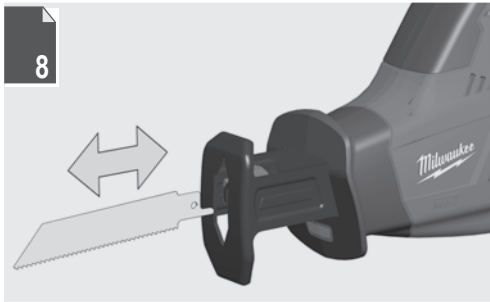
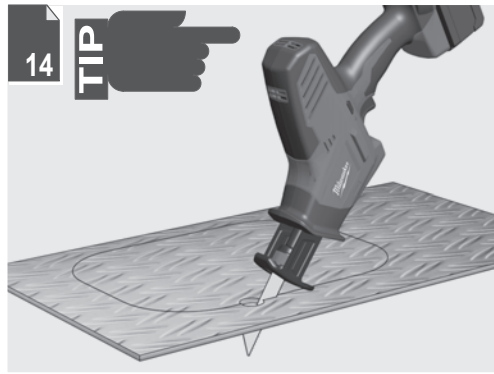
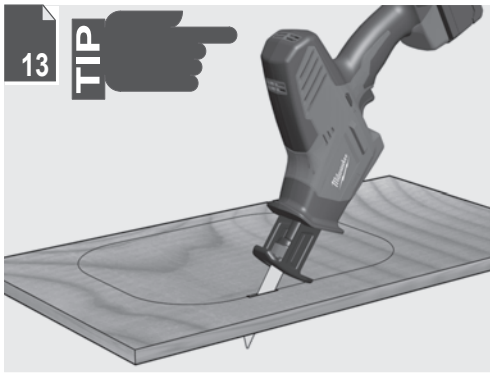
Оригинален прирачник за работа

Оригінал інструкції з експлуатації

التعليمات الأصلية

ENGLISH		Picture section with operating description and functional description	4
DEUTSCH		Bildteil mit Anwendungs- und Funktionsbeschreibungen	4
FRANÇAIS		Partie imagée avec description des applications et des fonctions	4
ITALIANO		Sezione illustrata con descrizione dell'applicazione e delle funzioni	4
ESPAÑOL		Sección de ilustraciones con descripción de aplicación y descripción funcional	4
PORTUGUES		Parte com imagens explicativas contendo descrição operacional e funcional	4
NEDERLANDS		Beeldgedeelte met toepassings- en functiebeschrijvingen	4
DANSK		Billedel med anvendelses- og funktionsbeskrivelser	4
NORSK		Billedel med bruks- og funksjonsbeskrivelse	4
SVENSKA		Bilddel med användnings- och funktionsbeskrivning	4
SUOMI		Kuvasivut käyttö- ja toimintakuvaukset	4
ΕΛΛΗΝΙΚΑ		Τμήμα εικόνων με περιγραφές χρήσης και λειτουργίας	4
TÜRKÇE		Resim bölümü Uygulama ve fonksiyon açıklamaları ile birlikte	4
ČESKY		Obrazová část s popisem aplikací a funkcí	4
SLOVENSKY		Obrazová časť s popisom aplikácií a funkcií	4
POLSKI		Część rysunkowa z opisami zastosowania i działania	4
MAGYAR		Képes részalkalmazási- és működési leírásokkal	4
SLOVENSKO		Del slikez opisom uporabe in funkcij	4
HRVATSKI		Dio sa slikama opisima primjene i funkcija	4
LATVISKI		Attēla daļa ar lietošanas un funkciju aprakstiem	4
LIETUVIŠKAI		Paveikslėlio dalis su vartojimo instrukcija ir funkcijų aprašymais	4
EESTI		Pildiosa kasutusjuhendi ja funktsioonide kirjeldusega	4
РУССКИЙ		Раздел иллюстраций с описанием эксплуатации и функций	4
БЪЛГАРСКИ		Част със снимки с описание за приложение и функции	4
ROMÂNIA		Secvența de imagine cu descrierea utilizării și a funcționării	4
МАКЕДОНСКИ		Дел со сликисо описи за употреба и функционирање	4
УКРАЇНСЬКА		Частина з зображеннями з описом робіт та функцій	4
عربي		قسم الصور يوجد به الوصف التشغيلي والوظيفي	4

Text section with Technical Data, important Safety and Working Hints and description of Symbols	16
Textteil mit Technischen Daten, wichtigen Sicherheits- und Arbeitshinweisen und Erklärung der Symbole.	18
Partie textuelle avec les données techniques, les consignes importantes de sécurité et de travail ainsi que l'explication des pictogrammes.	20
Sezione testo con dati tecnici, importanti informazioni sulla sicurezza e sull'utilizzo, spiegazione dei simboli.	22
Sección de texto con datos técnicos, indicaciones importantes de seguridad y trabajo y explicación de los símbolos.	24
Parte com texto explicativo contendo Especificações técnicas, Avisos de segurança e de operação e a Descrição dos símbolos.	26
Tekstgedeelte met technische gegevens, belangrijke veiligheids- en arbeidsinstructies en verklaring van de symbolen.	28
Tekstdel med tekniske data, vigtige sikkerheds- og arbejdsanvisninger og symbolforklaring.	30
Tekstdel med tekniske data, viktige sikkerhets- og arbeidsinstruksjoner og forklaring av symbolene.	32
Textdel med tekniska informationer, viktiga säkerhets- och användningsinstruktioner samt symbolförklaringar.	34
Tekstisivut: tekniset tiedot, tärkeät turvallisuus- ja työskentelyohjeet sekä merkien selitykset.	36
Τμήμα κειμένου με τεχνικά χαρακτηριστικά, σημαντικές υποδείξεις ασφαλείας και εργασίας και εξήγηση των συμβόλων.	38
Teknik bilgileri, önemli güvenlik ve çalışma açıklamalarını ve de sembollerin açıklamalarını içeren metin bölümü.	40
Textová část s technickými daty, důležitými bezpečnostními a pracovními pokyny a s vysvětlivkami symbolů	42
Textová časť s technickými dátami, dôležitými bezpečnostnými a pracovními pokynmi a s vysvetlivkami symbolov	44
Część opisowa z danymi technicznymi, ważnymi wskazówkami dotyczącymi bezpieczeństwa i pracy oraz objaśnieniami symboli.	46
Szöveges rész műszaki adatokkal, fontos biztonsági- és munkavégzési útmutatásokkal, valamint a szimbólumok magyarázata.	48
Del besedila s tehničnimi podatki, pomembnimi varnostnimi opozorili in delovnimi navodili in pojasnili simbolov.	50
Dio štiva sa tehničkim podacima, važnim sigurnosnim i radnim uputama i objašnjenjem simbola.	52
Teksta daļa ar tehnikajiem parametriem, svarīgiem drošības un darbības norādījumiem, simbolu atšifrējumiem.	54
Teksto dalis su techniniais duomenimis, svarbiomis saugumo ir darbo instrukcijomis bei simbolių paaiškinimais.	56
Tekstiosa tehniliste näitajate, oluliste ohutus- ja tööjuhenditega ning sümbolite kirjeldustega.	58
Текстовый раздел, включающий технические данные, важные рекомендации по безопасности и эксплуатации, а также описание используемых символов.	60
Част с текст с технически данни, важни указания за безопасност и работа и разяснение на символите.	62
Porțiune de text cu date tehnice, indicații importante privind siguranța și modul de lucru și descrierea simbolurilor.	64
Текстуален дел со Технички карактеристики, важни безбедносни и работни упатства и објаснување на символите.	66
Текстова частина з техничними даними, важливими вказівками з техніки безпеки та експлуатації і поясненням символів.	68
القسم النصي المزود بالبيانات الفنية والنصائح الهامة للسلامة والعمل ووصف الرموز	73

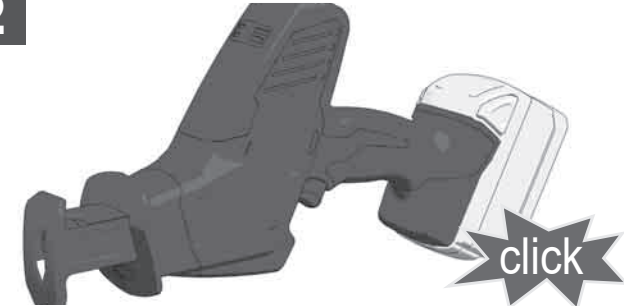




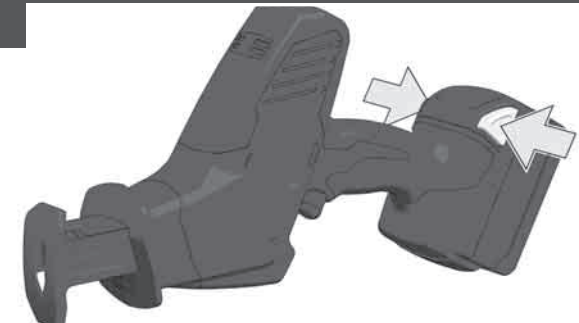
1



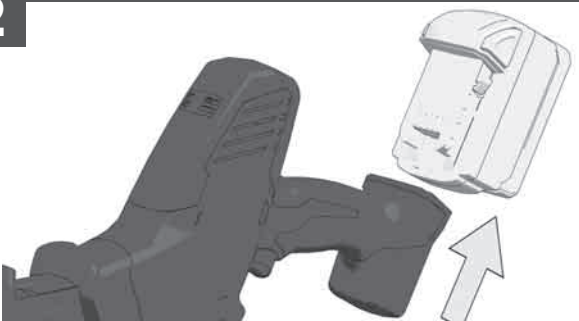
2



1



2



Remove the battery pack before starting any work on the machine.

Vor allen Arbeiten an der Maschine den Wechselakku herausnehmen

Avant tous travaux sur la machine retirer l'accu interchangeable.

Prima di iniziare togliere la batteria dalla macchina.

Retire la batería antes de comenzar cualquier trabajo en la máquina.

Antes de efectuar cualquier intervención na máquina retirar o bloco acumulador.

Voor alle werkzaamheden aan de machine de akku verwijderen.

Ved arbejde inden i maskinen, bør batteriet tages ud.

Ta ut vekslebatteriet før du arbeider på maskinen

Drag ur batteripaket innan arbetet utföres på maskinen.

Tarkista pistotulppa ja verkkojohto mahdollisilta vaurioilta. Viat saa korjata vain alan erikoisies.

Πριν από κάθε εργασία στη μηχανή αφαιρείτε την ανταλλακτική μπαταρία.

Aletin kendeinde bir çalışma yapmadan önce kartuş aküyü çıkarın.

Před zahájením veškerých prací na vrtacím šroubováků vyjmout výměnný akumulátor.

Pred každou pracou na stroji výměnný akumulátor vytiahnuť.

Przed przystąpieniem do jakichkolwiek prac na elektronarzędziu należy wyjąć wkładkę akumulatową.

Karbantartás, javítás, tisztítás, stb. előtt az akkumulátort ki kell venni a készülékből.

Pred deli na stroju izvlecite izmenljivi akumulator.

Prije svih radova na stroju izvaditi bateriju za zamjenu.

Pirms mašīnai veikt jebkāda veida apkopes darbus, ir jāizņem ārā akumulators.

Prieš atlikdami bet kokius darbus įrenginyje, išimkite keičiamą akumuliatorių.

Enne kõiki töid masina kallal võtke vahetatav aku välja.

Виньте аккумулятор из машины перед проведением с ней каких-либо манипуляций.

Преди започване на каквито е да е работи по машината извадете акумулатора.

Scoateți acumulatorul înainte de a începe orice intervenție pe mașină.

Отстранете ја батеријата пред да започнете да ја користите машината.

Перед будь-якими роботами на машині виїняти змінну акумуляторну батарею.

قم بإزالة حزمة البطارية قبل البدء في أي أعمال على الجهاز.



78-100 %



55-77 %



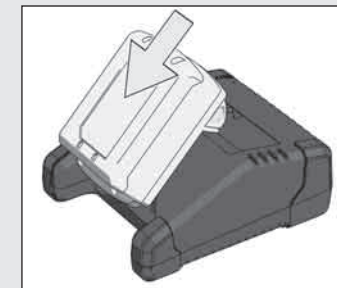
33-54 %

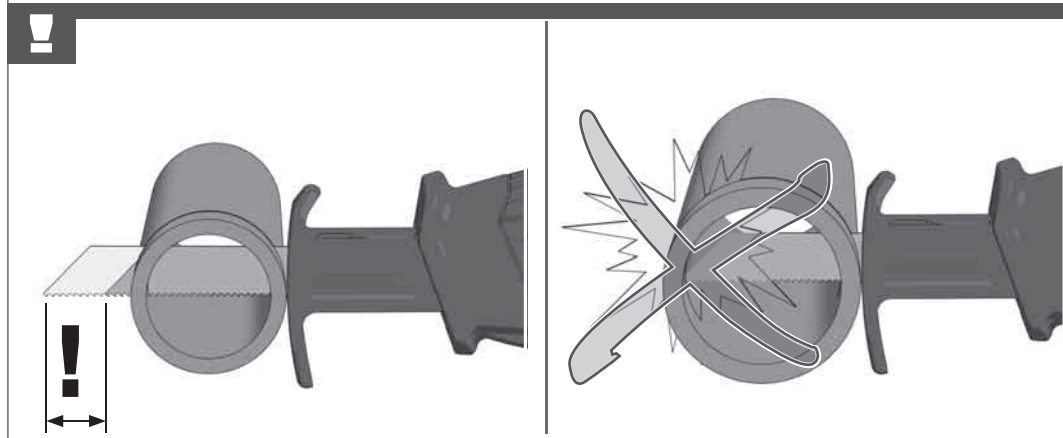
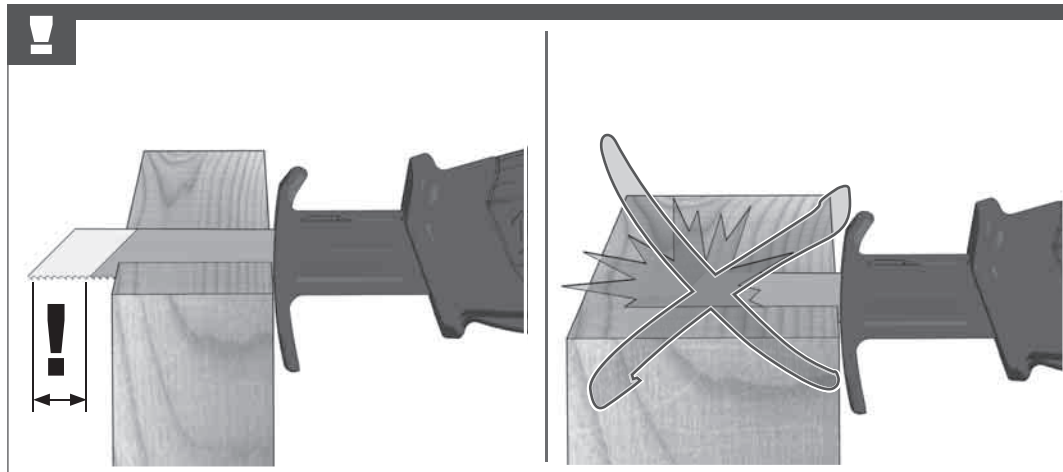
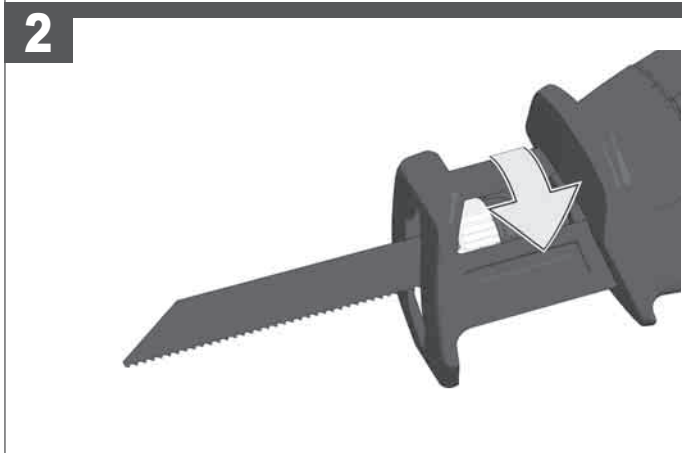
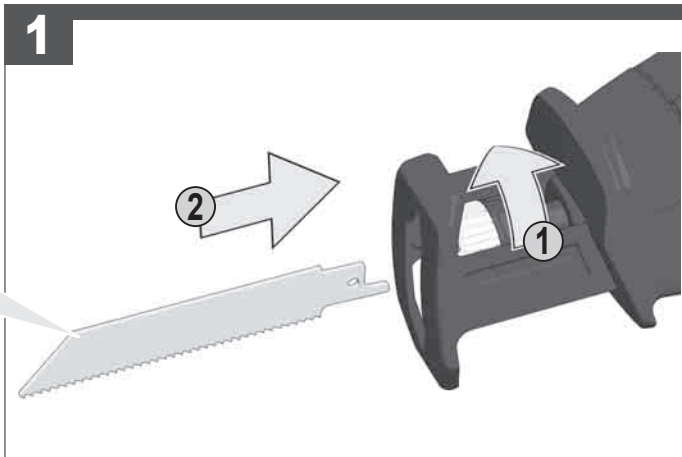
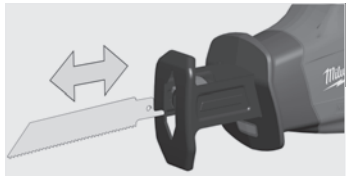


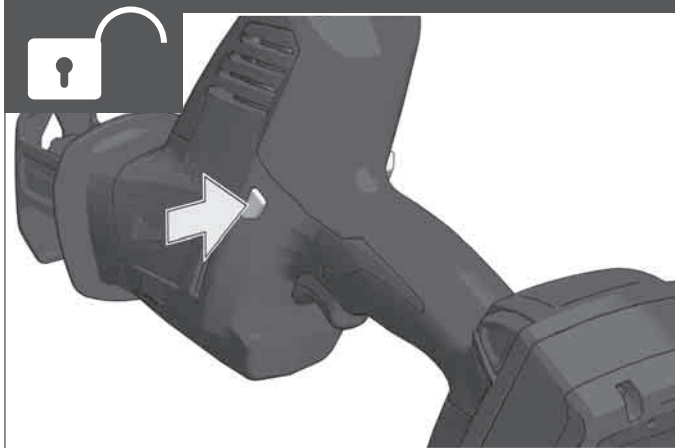
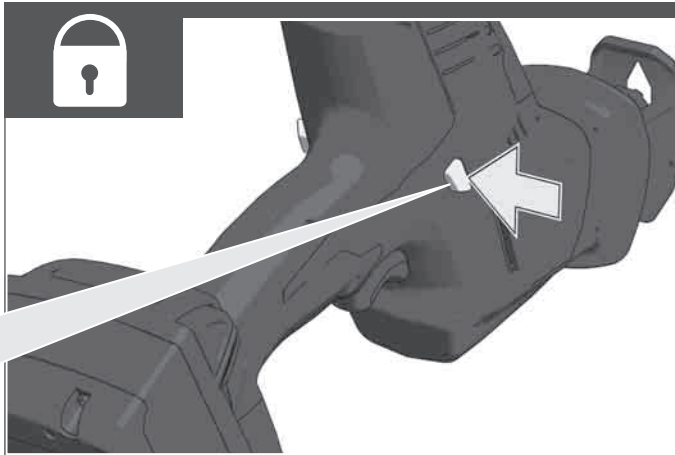
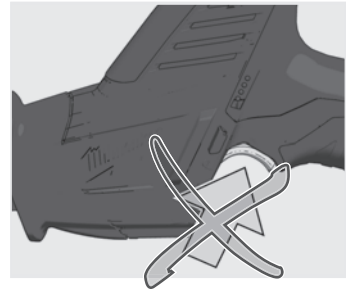
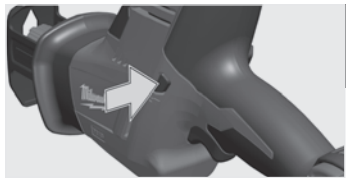
10-32 %



< 10 %





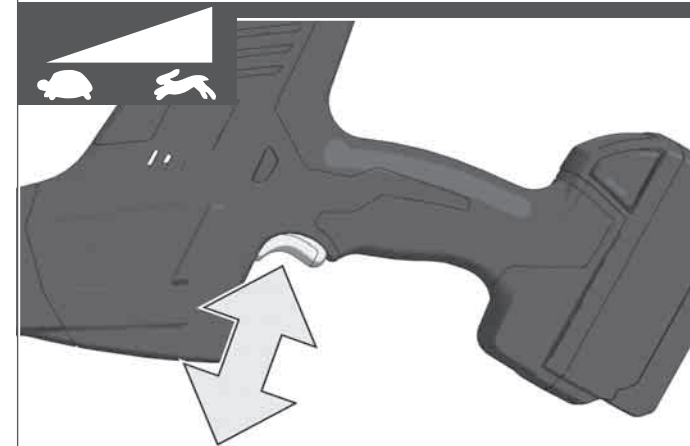
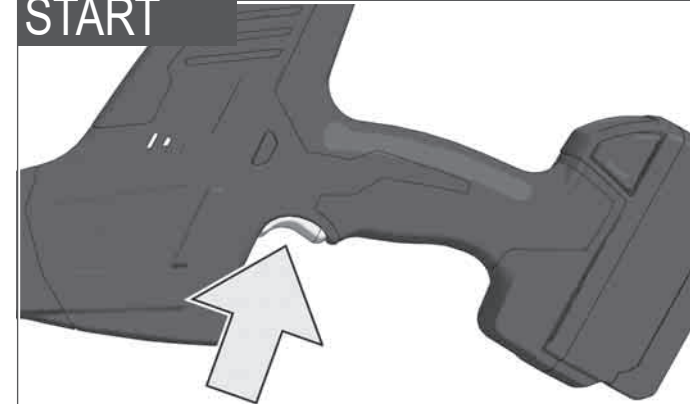


- Insulated gripping surface
- Isolierte Grifffläche
- Surface de prise isolée
- Superficie di presa isolata
- Superficie de agarre con aislamiento
- Geisoleerd
- Isolerede gribeflader
- Isolert gripefläte
- Isolerad greppyta
- Eristetty tarttumapinta
- Μονωμένη επιφάνεια λαβής
- Izolasyonlu tutma yüzeyi
- Izolovaná uchopovací plocha
- Izolovaná úchopná plocha
- Izolowaną powierzchnią
- Szigetelt fogófelület
- Izolirana prijemalna površina
- Izolirana površina za držanje
- Izolēta satveršanas virsma
- Izoliuotas rankenos paviršius
- Isoleeritud pideme piirkond
- Изолированная поверхность ручки
- Изолирана повърхност за хващане
- Suprafață de prindere izolată
- Изолирана површина
- Ізольована поверхня ручки

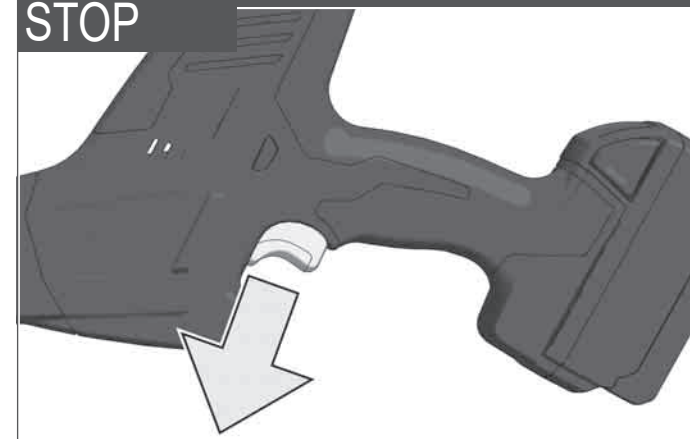
مساحة المقبض معزولة

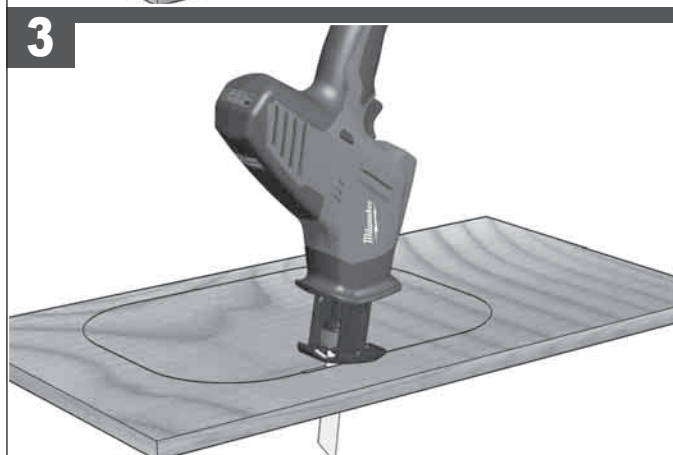
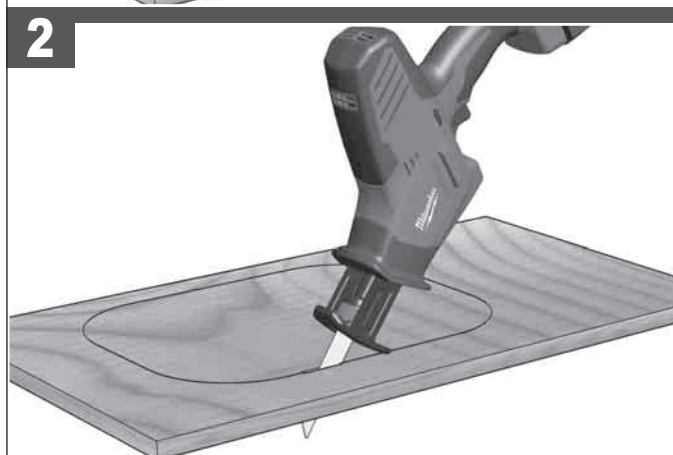
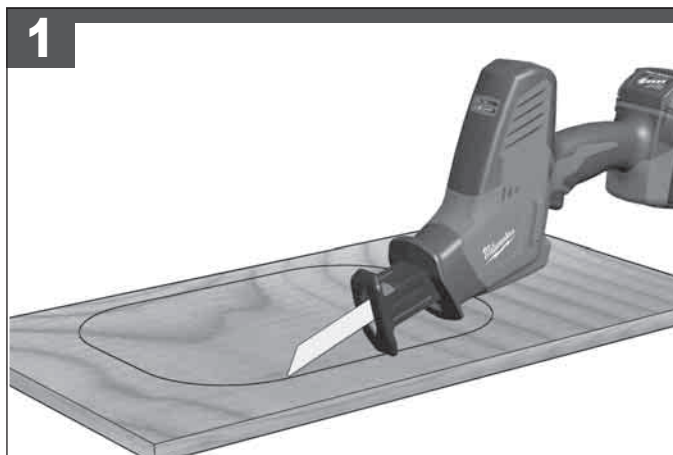
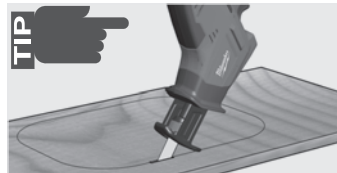
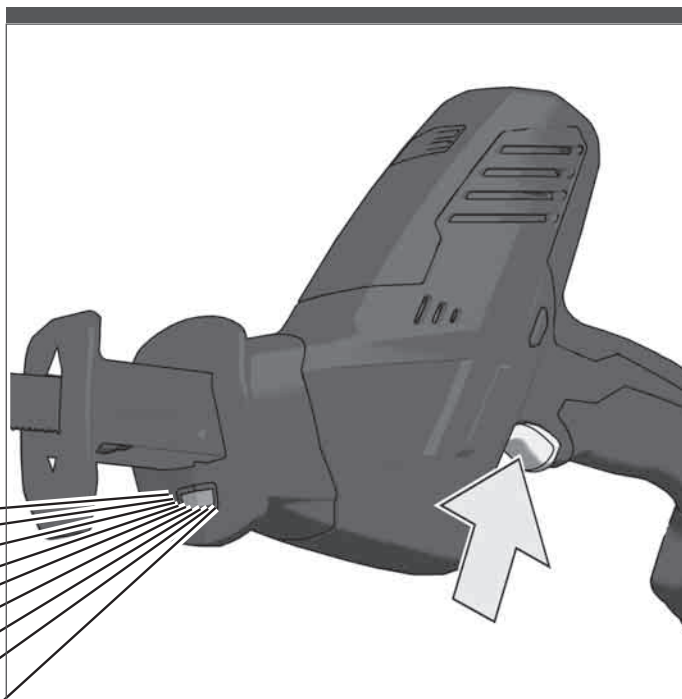


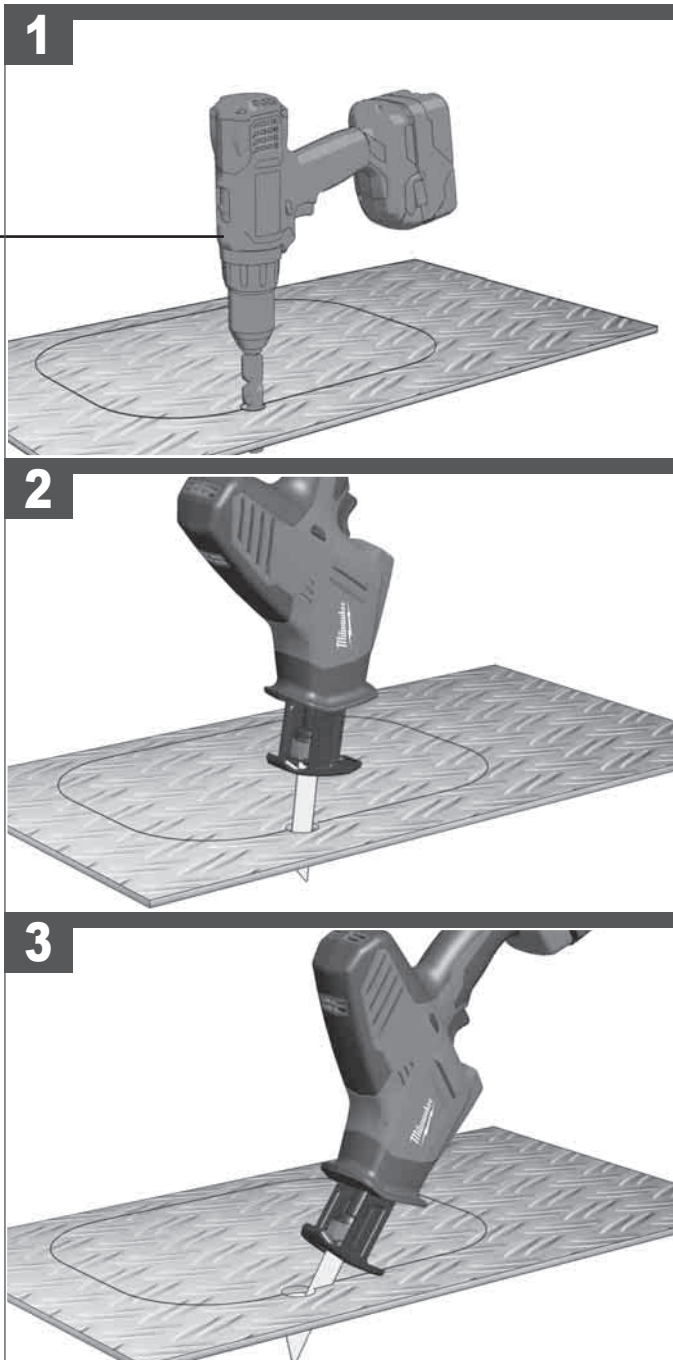
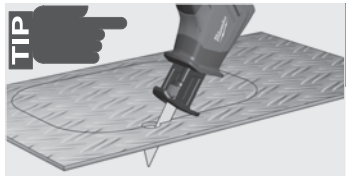
START



STOP







TECHNICAL DATA **CORDLESS RECIPROCATING SAW** **C 18 HZ**

Production code.....	4526 65 03...
.....	4467 30 03...
.....	4313 78 03...
.....	...000001-999999
Battery voltage.....	18 V
Stroke rate under no-load.....	0-3000 min ⁻¹
Lengths of stroke.....	20 mm
Weight according EPTA-Procedure 01/2014 (1,5 Ah).....	2,2 kg
Weight according EPTA-Procedure 01/2014 (3,0 Ah).....	2,5 kg
Recommended ambient operating temperature.....	-18...+50 °C
Recommended battery types.....	M18B...
Recommended charger.....	M12-18C, M12-18AC, M12-18FC, M1418C6

Noise/vibration information

Measured values determined according to EN 62841. Typically, the A-weighted noise levels of the tool are:
 Sound pressure level (Uncertainty K=3dB(A))81 dB (A)
 Sound power level (Uncertainty K=3dB(A)).....92 dB (A)

Wear ear protectors!

Total vibration values (vector sum in the three axes) determined according to EN 62841.
 Sawing of wood*
 Vibration emission value a_w7,2 m/s²
 Uncertainty K=1,5 m/s²
 * with saw blade bimetal, dimension 150 x 1,25 mm and tooth pitch 5 mm

WARNING

The vibration emission level given in this information sheet has been measured in accordance with a standardised test given in EN 62841 and may be used to compare one tool with another. It may be used for a preliminary assessment of exposure.
 The declared vibration emission level represents the main applications of the tool. However if the tool is used for different applications, with different accessories or poorly maintained, the vibration emission may differ. This may significantly increase the exposure level over the total working period.
 An estimation of the level of exposure to vibration should also take into account the times when the tool is switched off or when it is running but not actually doing the job. This may significantly reduce the exposure level over the total working period.
 Identify additional safety measures to protect the operator from the effects of vibration such as: maintain the tool and the accessories, keep the hands warm, organisation of work patterns.

⚠ WARNING Read all safety warnings, instructions, illustrations and specifications provided with this power tool. Failure to follow all instructions listed below may result in electric shock, fire and/or serious injury. **Save all warnings and instructions for future reference.**

⚠ SABRE SAW SAFETY WARNINGS

Hold the power tool by insulated gripping surfaces, when performing an operation where the cutting accessory may contact hidden wiring. Cutting accessory contacting a „live“ wire may make exposed metal parts of the power tool „live“ and could give the operator an electric shock.
Use clamps or another practical way to secure and support the workpiece to a stable platform. Holding the work by your hand or against the body leaves it unstable and may lead to loss of control

ADDITIONAL SAFETY AND WORKING INSTRUCTIONS

Use protective equipment. Always wear safety glasses when working with the machine. The use of protective clothing is recommended, such as dust mask, protective gloves, sturdy non-slip footwear, helmet and ear defenders.
 The dust produced when using this tool may be harmful to health. Do not inhale the dust. Wear a suitable dust protection mask.
 Do not machine any materials that present a danger to health (e.g. asbestos).
 Switch the device off immediately if the insertion tool stalls! Do not switch the device on again while the insertion tool is stalled, as doing so could trigger a sudden recoil with a high reactive force. Determine why the insertion tool stalled and rectify this, paying heed to the safety instructions.
 The possible causes may be:
 • it is tilted in the workpiece to be machined
 • it has pierced through the material to be machined
 • the power tool is overloaded
 Do not reach into the machine while it is running.
 The insertion tool may become hot during use.
WARNING! Danger of burns
 • when changing tools
 • when setting the device down

Chips and splinters must not be removed while the machine is running.
 When working in walls ceiling, or floor, take care to avoid electric cables and gas or waterpipes.
 Clamp your workpiece with a clamping device. Unclamped workpieces can cause severe injury and damage.
 Do not use cracked or distorted saw blades.
 Plunge cuts without pre-drilling a hole are possible with soft materials (wood, light building materials for walls). Harder materials (metals) must first be drilled with a hole corresponding to the size of the saw blade.
 Remove the battery pack before starting any work on the machine.
 Do not dispose of used battery packs in the household refuse or by burning them. Milwaukee Distributors offer to retrieve old batteries to protect our environment.
 Do not store the battery pack together with metal objects (short circuit risk). No metal parts must be allowed to enter the battery section of the charger (short circuit risk).
 Use only System 18 V chargers for charging System 18 V battery packs. Do not use battery packs from other systems.
 Never break open battery packs and chargers and store only in dry rooms. Keep dry at all times.
 Battery acid may leak from damaged batteries under extreme load or extreme temperatures. In case of contact with battery acid wash it off immediately with soap and water. In case of eye contact rinse thoroughly for at least 10 minutes and immediately seek medical attention.
Warning! To reduce the risk of fire, personal injury, and product damage due to a short circuit, never immerse your tool, battery pack or charger in fluid or allow a fluid to flow inside them. Corrosive or conductive fluids, such as seawater, certain industrial chemicals, and bleach or bleach containing products, etc., can cause a short circuit.

EC-DECLARATION OF CONFORMITY

We declare under our sole responsibility that the product described under "Technical Data" fulfills all the relevant regulations and the directives 2011/65/EU (RoHS), 2014/30/EU, 2006/42/EC, and the following harmonized standards have been used:
 EN 62841-1:2015
 EN 62841-2-11:2016
 EN 55014-1:2017
 EN 55014-2:2015
 EN IEC 63000:2018

Winnenden, 2019-02-13


 Alexander Krug
 Managing Director
 Authorized to compile the technical file.
 Techtronic Industries GmbH
 Max-Eyth-Straße 10
 71364 Winnenden
 Germany



SPECIFIED CONDITIONS OF USE

This sabre saw cuts wood, plastic, and metal. It can cut straight lines, curves, and internal cut-outs. It cuts pipes and can cut flush to a surface.
 Do not use this product in any other way as stated for normal use.

ELECTRIC BRAKE

The electric brake engages when the trigger is released, causing the blade to stop and allowing you to proceed with your work. Generally, the saw blade stops within two seconds. However, there may be a delay between the time you release the trigger and when the brake engages. Occasionally the brake may miss completely. If the brake misses frequently, the saw needs servicing by an authorized Milwaukee service facility.
 You must always wait for the blade to stop completely before removing the saw from the workpiece.

BATTERIES

Battery packs which have not been used for some time should be recharged before use.
 Temperatures in excess of 50°C (122°F) reduce the performance of the battery pack. Avoid extended exposure to heat or sunshine (risk of overheating).
 The contacts of chargers and battery packs must be kept clean.
 For an optimum life-time, after use, the battery packs have to be fully charged.
 To obtain the longest possible battery life remove the battery pack from the charger once it is fully charged.
 For battery pack storage longer than 30 days:
 Store the battery pack where the temperature is below 27°C and away from moisture
 Store the battery packs in a 30% - 50% charged condition
 Every six months of storage, charge the pack as normal.

BATTERY PACK PROTECTION

In extremely high torque, binding, stalling and short circuit situations that cause high current draw, the tool will stop for about 2 seconds and then the tool will turn OFF.
 To reset, release the trigger.
 Under extreme circumstances, the internal temperature of the battery could become to high. If this happens, the battery will shut down.

TRANSPORTING LITHIUM BATTERIES













Lithium-ion batteries are subject to the Dangerous Goods Legislation requirements.
 Transportation of those batteries has to be done in accordance with local, national and international provisions and regulations.
 • The user can transport the batteries by road without further requirements.

• Commercial transport of Lithium-Ion batteries by third parties is subject to Dangerous Goods regulations. Transport preparation and transport are exclusively to be carried out by appropriately trained persons and the process has to be accompanied by corresponding experts.
 When transporting batteries:
 • Ensure that battery contact terminals are protected and insulated to prevent short circuit.
 • Ensure that battery pack is secured against movement within packaging.
 • Do not transport batteries that are cracked or leak.
 Check with forwarding company for further advice

MAINTENANCE

The ventilation slots of the machine must be kept clear at all times.
 Use only Milwaukee accessories and spare parts. Should components need to be replaced which have not been described, please contact one of our Milwaukee service agents (see our list of guarantee/service addresses).
 If needed, an exploded view of the tool can be ordered. Please state the machine type printed as well as the six-digit No. on the label and order the drawing at your local service agents or directly at: Techtronic Industries GmbH, Max-Eyth-Straße 10, 71364 Winnenden, Germany.

SYMBOLS

	CAUTION! WARNING! DANGER!
	Remove the battery pack before starting any work on the machine.
	Please read the instructions carefully before starting the machine.
	Always wear goggles when using the machine.
	Accessory - Not included in standard equipment, available as an accessory.
	Do not dispose electric tools, batteries/rechargeable batteries together with household waste material. Electric tools and batteries that have reached the end of their life must be collected separately and returned to an environmentally compatible recycling facility. Check with your local authority or retailer for recycling advice and collection point.
	Stroke rate under no-load
	Volts
	Direct current
	European Conformity Mark
	Ukraine Conformity Mark
	EurAsian Conformity Mark

TECHNISCHE DATEN	AKKU-SÄBELSÄGE	C 18 HZ
Produktionsnummer	4526 65 03...	
.....	4467 30 03...	
.....	4313 78 03...	
.....	...00001-999999	
Spannung Wechselakku	18 V	
Leerlaufhubzahl	0-3000 min ⁻¹	
Hubhöhe	20 mm	
Gewicht nach EPTA-Prozedur 01/2014 (1,5 Ah)	2,2 kg	
Gewicht nach EPTA-Prozedur 01/2014 (3,0 Ah)	2,5 kg	
Empfohlene Umgebungstemperatur beim Arbeiten	-18...+50 °C	
Empfohlene Akkutypen	M18B...	
Empfohlene Ladegeräte	M12-18C, M12-18AC, M12-18FC, M1418C6	

Geräusch/Vibrationsinformation

Messwerte ermittelt entsprechend EN 62841.

Der A-bewertete Geräuschpegel des Gerätes beträgt typischerweise:

Schalldruckpegel (Unsicherheit K=3dB(A))	81 dB (A)
Schallleistungspegel (Unsicherheit K=3dB(A))	92 dB (A)

Gehörschutz tragen!

Schwingungsgesamtwerte (Vektorsumme dreier Richtungen) ermittelt entsprechend EN 62841.

Schwingungsemissionswert a_w

Sägen von Holz: *	7,2 m/s ²
Unsicherheit K =	1,5 m/s ²

* mit Sägeblatt Bimetall, Größe 150 x 1,25 mm und Zahnteilung 5 mm

WARNUNG

Der in diesen Anweisungen angegebene Schwingungspegel ist entsprechend einem in EN 62841 genormten Messverfahren gemessen worden und kann für den Vergleich von Elektrowerkzeugen miteinander verwendet werden. Er eignet sich auch für eine vorläufige Einschätzung der Schwingungsbelastung.

Der angegebene Schwingungspegel repräsentiert die hauptsächlichsten Anwendungen des Elektrowerkzeugs. Wenn allerdings das Elektrowerkzeug für andere Anwendungen, mit abweichenden Einsatzwerkzeugen oder ungenügender Wartung eingesetzt wird, kann der Schwingungspegel abweichen. Dies kann die Schwingungsbelastung über den gesamten Arbeitszeitraum deutlich erhöhen.

Für eine genaue Abschätzung der Schwingungsbelastung sollten auch die Zeiten berücksichtigt werden, in denen das Gerät abgeschaltet ist oder zwar läuft, aber nicht tatsächlich im Einsatz ist. Dies kann die Schwingungsbelastung über den gesamten Arbeitszeitraum deutlich reduzieren.

Lesen Sie zusätzliche Sicherheitsmaßnahmen zum Schutz des Bedieners vor der Wirkung von Schwingungen fest wie zum Beispiel: Wartung von Elektrowerkzeug und Einsatzwerkzeugen, Warmhalten der Hände, Organisation der Arbeitsabläufe.

⚠️ WARNUNG! Lesen Sie alle Sicherheitshinweise, Anweisungen, Darstellungen und Spezifikationen für dieses Elektrowerkzeug.

Versäumnisse bei der Einhaltung der nachstehenden Anweisungen können elektrischen Schlag, Brand und/oder schwere Verletzungen verursachen.

⚠️ SICHERHEITSHINWEISE FÜR SÄBELSÄGEN

Halten Sie das Gerät an den isolierten Griffflächen, wenn Sie Arbeiten ausführen, bei denen das Einsatzwerkzeug verborgene Stromleitungen treffen kann. Der Kontakt des Einsatzwerkzeugs mit einer spannungsführenden Leitung kann metallene Geräteteile unter Spannung setzen und zu einem elektrischen Schlag führen.

Benutzen Sie Schraubzwingen oder andere praktische Hilfsmittel um das Werkstück an einer stabilen Unterlage zu befestigen. Durch das Halten des Werkstückes mit der Hand oder das Gegendrücken mit dem Körper kann das Werkstück verrutschen und dies kann zum Verlust der Kontrolle führen.

WEITERE SICHERHEITS- UND ARBEITSHINWEISE

Schutzausrüstung verwenden. Beim Arbeiten mit der Maschine stets Schutzbrille tragen. Schutzkleidung wie Staubschutzmaske, Schutzhandschuhe, festes und rutschsicheres Schuhwerk, Helm und Gehörschutz werden empfohlen.

Beim Arbeiten entstehender Staub ist oft gesundheitsschädlich und sollte nicht in den Körper gelangen. Geeignete Staubschutzmaske tragen.

Es dürfen keine Materialien bearbeitet werden, von denen eine Gesundheitsgefährdung ausgeht (z.B. Asbest).

Beim Blockieren des Einsatzwerkzeuges bitte das Gerät sofort ausschalten! Schalten Sie das Gerät nicht wieder ein, solange das Einsatzwerkzeug blockiert ist; hierbei könnte ein Rückschlag mit hohem Reaktionsmoment entstehen. Ermitteln und beheben Sie die Ursache für die Blockierung des Einsatzwerkzeuges unter Berücksichtigung der Sicherheitshinweise.

Mögliche Ursachen dafür können sein:

- Verkanten im zu bearbeitenden Werkstück
- Durchbrechen des zu bearbeitenden Materials
- Überlasten des Elektrowerkzeuges

Greifen Sie nicht in die laufende Maschine.

Das Einsatzwerkzeug kann während der Anwendung heiß werden.

WARNUNG! Verbrennungsgefahr

- bei Werkzeugwechsel
- bei Ablegen des Gerätes

Späne oder Splitter dürfen bei laufender Maschine nicht entfernt werden.

Beim Arbeiten in Wand, Decke oder Fußboden auf elektrische Kabel, Gas- und Wasserleitungen achten.

Sichern Sie Ihr Werkstück mit einer Spannvorrichtung. Nicht gesicherte Werkstücke können schwere Verletzungen und Beschädigungen verursachen.

Rissige Sägeblätter oder solche, die ihre Form verändert haben, dürfen nicht verwendet werden!

Tauchsägen ist nur in weichen Materialien (Holz, Leichtbaustoffe für Wände) möglich, bei härteren Materialien (Metalle) muss eine dem Sägeblatt entsprechende große Bohrung angebracht werden.

Vor allen Arbeiten an der Maschine den Wechselakku herausnehmen

Verbrauchte Wechselakkus nicht ins Feuer oder in den Hausmüll werfen. Milwaukee bietet eine umweltgerechte Alt-Wechselakku-Entsorgung an; bitte fragen Sie Ihren Fachhändler.

Wechselakkus nicht zusammen mit Metallgegenständen aufbewahren (Kurzschlussgefahr).

In den Wechselakku-Einschubschacht der Ladegeräte dürfen keine Metallteile gelangen (Kurzschlussgefahr).

Wechselakkus des Systems 18 V nur mit Ladegeräten des Systems 18 V laden. Keine Akkus aus anderen Systemen laden.

Wechselakkus und Ladegeräte nicht öffnen und nur in trockenen Räumen lagern. Vor Nässe schützen.

Unter extremer Belastung oder extremer Temperatur kann aus beschädigten Wechselakkus Batterieflüssigkeit auslaufen. Bei Berührung mit Batterieflüssigkeit sofort mit Wasser und Seife abwaschen. Bei Augenkontakt sofort mindestens 10 Minuten gründlich spülen und unverzüglich einen Arzt aufsuchen.

Warnung! Um die durch einen Kurzschluss verursachte Gefahr eines Brandes, von Verletzungen oder Produktbeschädigungen zu vermeiden, tauchen Sie das Werkzeug, den Wechselakku oder das Ladegerät nicht in Flüssigkeiten ein und sorgen Sie dafür, dass keine Flüssigkeiten in die Geräte und Akkus eindringen. Korrodierende oder leitfähige Flüssigkeiten, wie Salzwasser, bestimmte Chemikalien und Bleichmittel oder Produkte, die Bleichmittel enthalten, können einen Kurzschluss verursachen.

CE-KONFORMITÄTSERKLÄRUNG

Wir erklären in alleiniger Verantwortung, dass das unter „Technische Daten“ beschriebene Produkt mit allen relevanten Vorschriften der Richtlinie 2011/65/EU (RoHS), 2014/30/EU, 2006/42/EG und den folgenden harmonisierten normativen Dokumenten übereinstimmt:

EN 62841-1:2015
EN 62841-2-11:2016
EN 55014-1:2017
EN 55014-2:2015
EN IEC 63000:2018

Winnenden, 2019-02-13

Alexander Krug

Alexander Krug
Managing Director



Bevollmächtigt die technischen Unterlagen zusammenzustellen

Techtronic Industries GmbH
Max-Eyth-Straße 10
71364 Winnenden
Germany

BESTIMMUNGSGEMÄSSE VERWENDUNG

Die Säbelsäge sägt Holz, Kunststoff und Metall. Sie schneidet Geraden, Kurven und Innenausschnitte. Sie schneidet Rohre und trennt flächenbündig ab.

Dieses Gerät darf nur wie angegeben bestimmungsgemäß verwendet werden.

ELEKTRISCHE BREMSE

Bei Loslassen des Schalterdrückers wird das Sägeblatt innerhalb von ca. 2 Sekunden durch die elektrische Bremse gestoppt. Allerdings kann die elektrische Bremse auch verzögert wirken. Gelegentlich ist die elektrische Bremse nicht wirksam. Sollte die elektrische Bremse häufiger nicht wirken, muss die Säge zu einer autorisierten Milwaukee Servicestelle gebracht werden.

Erst nach Stillstand des Sägeblattes die Säge aus dem Werkstück ziehen.

AKKUS

Längere Zeit nicht benutzte Wechselakkus vor Gebrauch nachladen.

Eine Temperatur über 50°C vermindert die Leistung des Wechselakkus. Längere Erwärmung durch Sonne oder Heizung vermeiden.

Die Anschlusskontakte an Ladegerät und Wechselakku sauber halten.

Für eine optimale Lebensdauer müssen nach dem Gebrauch die Akkus voll geladen werden.

Für eine möglichst lange Lebensdauer sollten die Akkus nach dem Aufladen aus dem Ladegerät entfernt werden.

Bei Lagerung des Akkus länger als 30 Tage:

Akku bei ca. 27°C und trocken lagern.

Akku bei ca. 30%-50% des Ladezustandes lagern.

Akku alle 6 Monate erneut aufladen.

AKKUÜBERLASTSCHUTZ

Bei Überlastung des Akkus durch sehr hohen Stromverbrauch, z.B. extrem hohe Drehmomente, Verklemmen des Sägeblattes, plötzlichem Stopp oder Kurzschluss, stoppt das Elektrowerkzeug 2 Sekunden lang und schaltet sich selbstständig ab.

Zum Wiedereinschalten, den Schalterdrücker loslassen und dann wieder einschalten.

Unter extremen Belastungen kann sich der Akku stark erhitzen. In diesem Fall schaltet der Akku ab.

TRANSPORT VON LITHIUM-IONEN-AKKUS

Lithium-Ionen-Akkus fallen unter die gesetzlichen Bestimmungen zum Gefahrguttransport.

Der Transport dieser Akkus muss unter Einhaltung der lokalen, nationalen und internationalen Vorschriften und Bestimmungen erfolgen.

- Verbraucher dürfen diese Akkus ohne Weiteres auf der Straße transportieren.
- Der kommerzielle Transport von Lithium-Ionen-Akkus durch Speditionen unterliegt den Bestimmungen des Gefahrguttransports. Die Versandvorbereitungen und der Transport dürfen ausschließlich von entsprechend geschulten Personen durchgeführt werden. Der gesamte Prozess muss fachmännisch begleitet werden.

Folgende Punkte sind beim Transport von Akkus zu beachten:

- Stellen Sie sicher, dass die Kontakte geschützt und isoliert sind, um Kurzschlüsse zu vermeiden.
- Achten Sie darauf, dass der Akkupack innerhalb der Verpackung nicht verrutschen kann.
- Beschädigte oder auslaufende Akkus dürfen nicht transportiert werden.

Wenden Sie sich für weitere Hinweise an Ihr Speditionsunternehmen.

WARTUNG

Stets die Lüftungsschlitze der Maschine sauber halten.

Nur Milwaukee Zubehör und Milwaukee Ersatzteile verwenden. Bauteile, deren Austausch nicht beschrieben wurde, bei einer Milwaukee Kundendienststelle auswechseln lassen (Broschüre Garantie/Kundendienstadressen beachten).

Bei Bedarf kann eine Explosionszeichnung des Gerätes unter Angabe der Maschinen Type und der sechsstelligen Nummer auf dem Leistungsschild bei Ihrer Kundendienststelle oder direkt bei Techtronic Industries GmbH, Max-Eyth-Straße 10, 71364 Winnenden, Germany angefordert werden.

SYMBOLS



ACHTUNG! WARNUNG! GEFAHR!



Vor allen Arbeiten an der Maschine den Wechselakku herausnehmen



Bitte lesen Sie die Gebrauchsanweisung vor Inbetriebnahme sorgfältig durch.



Beim Arbeiten mit der Maschine stets Schutzbrille tragen.



Zubehör - Im Lieferumfang nicht enthalten, empfohlene Ergänzung aus dem Zubehörprogramm.



Elektrogeräte, Batterien/Akkus dürfen nicht zusammen mit dem Hausmüll entsorgt werden. Elektrische Geräte und Akkus sind getrennt zu sammeln und zur umweltgerechten Entsorgung bei einem Verwertungsbetrieb abzugeben. Erkundigen Sie sich bei den örtlichen Behörden oder bei Ihrem Fachhändler nach Recyclinghöfen und Sammelstellen.



Leerlaufhubzahl



Spannung



Gleichstrom



Europäisches Konformitätszeichen



Ukrainisches Konformitätszeichen



Euroasiatisches Konformitätszeichen

CARACTÉRISTIQUES TECHNIQUES	SCIE SABRE SANS FIL	C 18 HZ
Numéro de série	4526 65 03 ...	
.....	4467 30 03 ...	
.....	4313 78 03 ...	
.....	...000001-999999	
Tension accu interchangeable	18 V	
Nombre de courses à vide.....	0-3000 min ⁻¹	
Hauteur de la course.....	20 mm	
Poids suivant EPTA-Procédure 01/2014 (1,5 Ah).....	2,2 kg	
Poids suivant EPTA-Procédure 01/2014 (3,0 Ah).....	2,5 kg	
Température conseillée lors du travail.....	-18...+50 °C	
Batteries conseillées.....	M18B...	
Chargeurs de batteries conseillés.....	M12-18C, M12-18AC, M12-18FC, M1418C6	

Informations sur le bruit et les vibrations

Valeurs de mesure obtenues conformément à la EN 62841.

La mesure réelle (A) du niveau de bruit de l'outil est

Niveau de pression acoustique (Incertitude K=3dB(A)).....81 dB (A)

Niveau d'intensité acoustique (Incertitude K=3dB(A)).....92 dB (A)

Toujours porter une protection acoustique!

Valeurs totales des vibrations (somme vectorielle de trois sens) établies conformément à EN 62841.

Valeur d'émission vibratoire a_w

Découpe de poutres en bois *.....7,2 m/s²

Incertitude K.....1,5 m/s²

* avec lame de scie bimétal, dimension 150 x 1,25 mm et pas de dent 5 mm

AVERTISSEMENT

Le niveau vibratoire indiqué dans ces instructions a été mesuré selon un procédé de mesure normalisé dans la norme EN 62841 et peut être utilisé pour comparer des outils électriques entre eux. Il convient aussi à une estimation provisoire de la sollicitation par les vibrations.

Le niveau vibratoire indiqué représente les applications principales de l'outil électrique. Toutefois, si l'outil électrique est utilisé pour d'autres applications, avec des outils rapportés qui diffèrent ou une maintenance insuffisante, il se peut que le niveau vibratoire diverge. Cela peut augmenter nettement la sollicitation par les vibrations sur tout l'intervalle de temps du travail.

Pour une estimation précise de la sollicitation par les vibrations, on devrait également tenir compte des temps pendant lesquels l'appareil n'est pas en marche ou tourne sans être réellement en service. Cela peut réduire nettement la sollicitation par les vibrations sur tout l'intervalle de temps du travail.

Définissez des mesures de sécurité supplémentaires pour protéger l'utilisateur contre l'influence des vibrations, comme par exemple: la maintenance de l'outil électrique et des outils rapportés, le maintien au chaud des mains, l'organisation des déroulements de travail.

AVERTISSEMENT! Lire tous les avertissements de sécurité, les instructions opérationnelles, les illustrations et les spécifications fournies avec cet outil électrique. La non observance des instructions mentionnées ci-dessous peut causer des chocs électriques, des incendies ou de graves blessures.

CONSIGNES DE SÉCURITÉ CONCERNANT LES SCIES SABRES

Tenir l'outil électrique par des surfaces de préhension isolées pendant toute opération au cours de laquelle l'accessoire de coupe peut entrer en contact avec des fils dissimulés. Des accessoires de coupe entrant en contact avec un fil "actif" peuvent rendre "actives" des parties métalliques accessibles de l'outil électrique et provoquer un choc électrique chez l'opérateur.

Utilisez des serre-joints à serrage ou d'autres moyens auxiliaires pratiques pour fixer la pièce à travailler sur un support robuste. Si la pièce à travailler est maintenue à la main ou suite à une contre-pression avec le corps, il se peut que la pièce à travailler glisse et que cela provoque une perte de contrôle.

AVIS COMPLÉMENTAIRES DE SÉCURITÉ ET DE TRAVAIL

Utiliser l'équipement de protection. Toujours porter des lunettes de protection pendant le travail avec la machine. Il est recommandé de porter des articles de protection, tels que masque antipoussière, gants de protection, chaussures tenant bien aux pieds et antidérapantes, casque et protection acoustique.

Les poussières qui sont dégagées pendant les travaux sont souvent nocives pour la santé et ne devraient pas pénétrer dans le corps. Porter un masque de protection approprié contre les poussières.

Il est interdit de travailler des matériaux dangereux pour la santé (par ex. amiante).

Désactiver immédiatement le dispositif en cas de blocage! Ne pas réactiver le dispositif avec l'outil bloqué; il y a le risque de provoquer un contre-coup avec moment de réaction élevé. Établir et éliminer la cause du blocage de l'outil en prêtant attention aux consignes de sécurité.

Les causes possibles sont :

- Encastrement dans la pièce à travailler.
- Le dispositif a traversé le matériau à travailler en le cassant.
- Le dispositif électrique a été surchargé.

Ne pas approcher les mains de la partie en mouvement de la machine.

Durant l'utilisation, l'outil peut se surchauffer.

AVERTISSEMENT! Danger de brûlures

- durant le remplacement de l'outil

- durant la dépose de l'outil

Ne jamais enlever les copeaux ni les éclats lorsque la machine est en marche.

Lors du perçage dans les murs, les plafonds ou les planchers, toujours faire attention aux câbles électriques et aux conduites de gaz et d'eau.

Fixer fermement la pièce en exécution à l'aide d'un dispositif de serrage. Des pièces en exécution non fermement fixées peuvent provoquer des dommages et des lésions graves.

Ne pas utiliser de lames de scie fissurées ou déformées.

Le sciage en plongée n'est possible que dans des matériaux tendres (bois, matériaux de construction légers pour les murs). Si les matériaux sont plus durs (métaux), une perçée plus importante doit être faite au moyen de la lame.

Avant tous travaux sur la machine retirer l'accu interchangeable.

Ne pas jeter les accus interchangeables usés au feu ou avec les déchets ménagers. Milwaukee offre un système d'évacuation écologique des accus usés.

Ne pas conserver les accus interchangeables avec des objets métalliques (risque de court-circuit)

Aucune pièce métallique ne doit pénétrer dans le logement d'accu du chargeur (risque de court-circuit)

Ne charger les accus interchangeables du système 18 V qu'avec le chargeur d'accus du système 18 V. Ne pas charger des accus d'autres systèmes.

Ne pas ouvrir les accus interchangeables et les chargeurs et ne les stocker que dans des locaux secs. Les protéger contre l'humidité.

En cas de conditions ou températures extrêmes, du liquide caustique peut s'échapper d'un accu interchangeable endommagé. En cas de contact avec le liquide caustique de la batterie, laver immédiatement avec de l'eau et du savon. En cas de contact avec les yeux, rincer soigneusement avec de l'eau et consulter immédiatement un médecin.

Avertissement! Pour réduire le risque d'incendie, de blessures corporelles et de dommages causés par un court-circuit, ne jamais immerger l'outil, le bloc-piles ou le chargeur dans un liquide ou laisser couler un fluide à l'intérieur de celui-ci. Les fluides corrosifs ou conducteurs, tels que l'eau de mer, certains produits chimiques industriels, les produits de blanchiment ou de blanchiment, etc., peuvent provoquer un court-circuit.

DECLARATION CE DE CONFORMITÉ

Nous déclarons sous notre seule responsabilité que le produit décrit sous « Caractéristiques techniques » concorde avec toutes les consignes pertinentes de la directive 2011/65 UE (RoHS), 2014/30/UE, 2006/42/CE et les documents normatifs harmonisés suivants :

EN 62841-1:2015
EN 62841-2-11:2016
EN 55014-1:2017
EN 55014-2:2015
EN IEC 63000:2018

Winnenden, 2019-02-13

Alexander Krug

Alexander Krug
Managing Director



Autorisé à compiler la documentation technique.

Techtronic Industries GmbH
Max-Eyth-Straße 10
71364 Winnenden
Germany

UTILISATION CONFORME AUX PRESCRIPTIONS

La scie sabre permet de scier du bois, des matières synthétiques et des métaux. Elle permet des découpes rectilignes et curvilignes et des découpes intérieures. Elle permet de découper des tuyaux au ras des murs.

Comme déjà indiqué, cette machine n'est conçue que pour être utilisée conformément aux prescriptions.

FREIN ELECTRIQUE

Dès que le poussoir de l'interrupteur est relâché, la lame de scie est stoppée par le frein électrique en l'espace d'environ 2 secondes. Toutefois, le frein électrique peut aussi agir avec retardement. Le frein électrique n'est parfois pas efficace. Si le frein électrique est fréquemment sans effet, la scie doit être remise à un centre de service agréé Milwaukee. C'est seulement après l'immobilisation de la lame de scie que la scie doit être retirée de la pièce à travailler.

ACCUS

Recharger les accus avant utilisation après une longue période de non utilisation.

Une température supérieure à 50°C amoindrit la capacité des accus. Eviter les expositions prolongées au soleil ou au chauffage.

Tenir propres les contacts des accus et des chargeurs.

Après l'usage, les accus doivent être chargés entièrement pour une durée de vie optimale.

Pour une plus longue durée de vie, enlever les batteries du chargeur de batterie quand celles-ci seront chargées.

En cas d'entreposage de la batterie pour plus de 30 jours: Entrepoiser la batterie à 27°C environ dans un endroit sec. Entrepoiser la batterie avec une charge d'environ 30% - 50%. Recharger la batterie tous les 6 mois.

PROTECTION DE L'ACCU CONTRE LES SURCHARGES

En cas de surcharge de l'accu suite à une consommation de courant très élevée, par exemple des couples extrêmement hauts, un coincement, un arrêt soudain ou un court-circuit, l'outil électrique se met à bourdonner pendant 2 secondes et s'éteint automatiquement.

Pour le remettre en marche, il faut relâcher le poussoir de commutateur, puis l'enclencher à nouveau.

Il se peut que l'accu s'échauffe fortement s'il est soumis à des sollicitations extrêmes. Dans ce cas, il se déconnecte.

TRANSPORT DE BATTERIES LITHIUM-ION

Les batteries lithium-ion sont soumises aux dispositions législatives concernant le transport de produits dangereux.

Le transport de ces batteries devra s'effectuer dans le respect des dispositions et des normes locales, nationales et internationales.

- Les utilisateurs peuvent transporter ces batteries sans restrictions.
- Le transport commercial de batteries lithium-ion est réglé par les dispositions concernant le transport de produits dangereux. La préparation au transport et le transport devront être effectués uniquement par du personnel formé de façon adéquate. Tout le procédé devra être géré d'une manière professionnelle.

Durant le transport de batteries il faut respecter les consignes suivantes :

- S'assurer que les contacts soient protégés et isolés en vue d'éviter des courts-circuits.
- S'assurer que le groupe de batteries ne puisse pas se déplacer à l'intérieur de son emballage.

- Des batteries endommagées ou des batteries perdant du liquide ne devront pas être transportées.

Pour tout renseignement complémentaire veuillez vous adresser à votre transporteur professionnel.

ENTRETIEN

Tenir toujours propres les orifices de ventilation de la machine.

Utiliser uniquement les accessoires Milwaukee et les pièces détachées Milwaukee. Faire remplacer les composants dont le remplacement n'a pas été décrit, par un des centres de service après-vente Milwaukee (observer la brochure avec les adresses de garantie et de service après-vente).

En cas de besoin il est possible de demander un dessin éclaté du dispositif en indiquant le modèle de la machine et le numéro de six chiffres imprimé sur la plaquette de puissance et en s'adressant au centre d'assistance technique ou directement à Techtronic Industries GmbH, Max-Eyth-Straße 10, 71364 Winnenden, Germany.

SYMBOLS



ATTENTION! AVERTISSEMENT! DANGER!



Avant tous travaux sur la machine retirer l'accu interchangeable.



Veuillez lire avec soin le mode d'emploi avant la mise en service



Toujours porter des lunettes protectrices en travaillant avec la machine.



Accessoires - Ces pièces ne font pas partie de la livraison. Il s'agit là de compléments recommandés pour votre machine et énumérés dans le catalogue des accessoires.



Les dispositifs électriques, les batteries et les batteries rechargeables ne sont pas à éliminer dans les déchets ménagers. Les dispositifs électriques et les batteries sont à collecter séparément et à remettre à un centre de recyclage en vue de leur élimination dans le respect de l'environnement. S'adresser aux autorités locales ou au détaillant spécialisé en vue de connaître l'emplacement des centres de recyclage et des points de collecte. Nombre de courses à vide



Voltag



Courant continu



Marque de conformité européenne



Marque de conformité ukrainienne



Marque de conformité d'Eurasie

DATI TECNICI		SEGA DRITTA A BATTERIA	C 18 HZ
Numero di serie	4526 65 03...		
.....	4467 30 03...		
.....	4313 78 03...		
.....	...000001-999999		
Tensione batteria	18 V		
Numero di corse a vuoto	0-3000 min ⁻¹		
Altezza corsa	20 mm		
Peso secondo la procedura EPTA 01/2014 (1,5 Ah)	2,2 kg		
Peso secondo la procedura EPTA 01/2014 (3,0 Ah)	2,5 kg		
Temperatura consigliata durante il lavoro	-18...+50 °C		
Batterie consigliate	M18B...		
Caricatori consigliati	M12-18C, M12-18AC, M12-18FC, M1418C6		

Informazioni sulla rumorosità/sulle vibrazioni

Valori misurati conformemente alla norma EN 62841.

La misurazione A della pressione del livello sonoro di un utensile di solito deve essere

Livello di rumorosità (Incertezza della misura K=3dB(A)).....81 dB (A)
 Potenza della rumorosità (Incertezza della misura K=3dB(A))92 dB (A)

Utilizzare le protezioni per l'udito!

Valori totali delle oscillazioni (somma di vettori in tre direzioni) misurati conformemente alla norma EN 62841

Valore di emissione dell'oscillazione a_v

Taglio di travi di legno *7,2 m/s²
 Incertezza della misura K1,5 m/s²

* con lama di sega bimetal, dimensioni 150 x 1,25 mm e passo dei denti 5 mm

AVVERTENZA

Il livello di vibrazioni indicato nelle presenti istruzioni è stato misurato in conformità con un procedimento di misurazione codificato nella EN 62841 e può essere utilizzato per un confronto tra attrezzi elettrici. Inoltre si può anche utilizzare per una valutazione preliminare della sollecitazione da vibrazioni.

Il livello di vibrazioni indicato rappresenta le applicazioni principali dell'attrezzo elettrico. Se viceversa si utilizza l'attrezzo elettrico per altri scopi, con accessori differenti o con una manutenzione insufficiente, il livello di vibrazioni può risultare diverso. E questo può aumentare decisamente la sollecitazione da vibrazioni lungo l'intero periodo di lavorazione.

Ai fini di una valutazione precisa della sollecitazione da vibrazioni si dovrebbero tenere presente anche i periodi in cui l'apparecchio rimane spento oppure, anche se acceso, non viene effettivamente utilizzato. Ciò può ridurre notevolmente la sollecitazione da vibrazioni lungo l'intero periodo di lavorazione.

Stabilite misure di sicurezza supplementari per la tutela dell'operatore dall'effetto delle vibrazioni, come ad esempio: manutenzione dell'attrezzo elettrico e degli accessori, riscaldamento delle mani, organizzazione dei processi di lavoro.

AVVERTENZA! Leggere tutte le avvertenze di sicurezza, istruzioni operative, illustrazioni e specifiche fornite con questo elettro-utensile. Il mancato rispetto delle istruzioni di seguito riportate può causare scosse elettriche, incendi e/o lesioni gravi.

INDICAZIONI DI SICUREZZA PER SEGHE A SCIABOLA

Impugnare l'apparecchio sulle superfici di tenuta isolate mentre si eseguono lavori durante i quali l'utensile da taglio potrebbe entrare in contatto con cavi di corrente. L'eventuale contatto dell'utensile da taglio con un cavo sotto tensione potrebbe mettere sotto tensione le parti metalliche dell'apparecchio e provocare una folgorazione.

Usare morsetti a vite o altri ausili pratici per fissare il pezzo da lavorare su di una base stabile. Tenere il pezzo da lavorare con la mano o cercare di fissarlo con il corpo potrebbe comportare lo slittamento del pezzo, con conseguente perdita del controllo.

ULTERIORI AVVISI DI SICUREZZA E DI LAVORO

Usare dispositivi di protezione. Durante il lavoro con la macchina bisogna sempre portare occhiali di protezione. Si consiglia di indossare indumenti di protezione come maschera antipolvere, guanti di protezione, scarpe antiscivolo robuste, casco e cuffie di protezione acustica.

La polvere che si produce durante il lavoro è spesso dannosa per la salute e non dovrebbe essere aspirata. Portare un'adeguata mascherina protettiva.

E' vietato lavorare materiali che possono costituire pericoli alla salute (ad es. amianto).

Spegnerne immediatamente il dispositivo in caso di bloccaggio! Non riaccendere il dispositivo fino a quando l'utensile ad inserto resta bloccato; esiste il rischio di causare un contraccolpo con elevato momento di reazione. Rilevare ed eliminare la causa del bloccaggio dell'utensile ad inserto tenendo conto delle indicazioni di sicurezza.

Le possibili cause sono:

- Incastro nel pezzo in lavorazione
- Il dispositivo ha attraversato il materiale da lavorare rompendolo
- Il dispositivo elettrico è stato sovraccaricato

Non avvicinare le mani alla parte della macchina in movimento.

Durante l'uso l'utensile ad inserto può surriscaldarsi.

AVVERTENZA! Pericolo di ustioni

- durante la sostituzione dell'utensile
- durante il deposito dell'utensile

Non rimuovere trucioli o schegge mentre l'utensile è in funzione.

Forando pareti, soffitti o pavimenti, si faccia attenzione ai cavi elettrici e alle condutture dell'acqua e del gas.

Fissare in sicurezza il pezzo in lavorazione con un dispositivo di serraggio. Pezzi in lavorazione che non siano fissati in sicurezza possono causare gravi lesioni e danni.

Non devono essere utilizzate né lame incurvate né lame la cui forma abbia subito alterazioni.

E' possibile effettuare tagli ad immersione solo nei materiali dolci (legno, materiali per costruzione leggera) per i materiali (metalli) duri è invece necessario praticare un foro adatto alle dimensioni della lama.

Prima di iniziare togliere la batteria dalla macchina.

Non gettare le batterie esaurite sul fuoco o nella spazzatura di casa. La Milwaukee offre infatti un servizio di recupero batterie usate.

Nel vano d'innesto per la batteria del caricatore non devono entrare parti metalliche (pericolo di cortocircuito).

Non conservare le batterie con oggetti metallici (pericolo di cortocircuito).

Le batterie del System 18 V sono ricaricabili esclusivamente con i caricatori del System 18 V. Le batterie di altri sistemi non possono essere ricaricate.

Non aprire né la batteria né il caricatore e conservarli solo in luogo asciutto. Proteggerli dalla umidità.

Nel caso di batterie danneggiate da un carico eccessivo o da temperature alte, l'acido di queste potrebbe fuoriuscire. In caso di contatto con l'acido delle batterie lavarsi immediatamente con acqua e sapone. In caso di contatto con gli occhi risciacquare immediatamente con acqua per almeno 10 minuti e contattare subito un medico.

Attenzione! Per ridurre il rischio d'incendio, di lesioni o di danni al prodotto causati da corto circuito, non immergere mai l'utensile, la batteria ricaricabile o il carica batterie in un liquido e non lasciare mai penetrare alcun liquido all'interno dei dispositivi e delle batterie. I fluidi corrosivi o conduttori come acqua salata, alcuni agenti chimici, agenti candeggianti o prodotti contenenti agenti candeggianti potrebbero provocare un corto circuito.

DICHIARAZIONE DI CONFORMITÀ CE

Dichiariamo sotto la nostra esclusiva responsabilità che il prodotto descritto ai "Dati tecnici" corrisponde a tutte le disposizioni delle direttive 2011/65/EU (RoHS), 2014/30/EU, 2006/42/CE e successivi documenti normativi armonizzati:

EN 62841-1:2015
 EN 62841-2-11:2016
 EN 55014-1:2017
 EN 55014-2:2015
 EN IEC 63000:2018

Winnenden, 2019-02-13



Alexander Krug
 Managing Director



Autorizzato alla preparazione della documentazione tecnica

Techtronic Industries GmbH
 Max-Eyth-Straße 10
 71364 Winnenden
 Germany

UTILIZZO CONFORME

Questo sega dritta può essere utilizzato per lavorare legno, materiale sintetico e acciaio; per effettuare tagli dritti e obliqui, curve e per tagli all'interno del materiale.

Utilizzare il prodotto solo per l'uso per cui è previsto.

FRENO ELETTRICO

Se viene rilasciato l'interruttore a pressione, la lama verrà arrestata dal freno elettrico entro circa 2 secondi. E' comunque anche possibile che il freno elettrico agisca con ritardo. In alcuni casi il freno elettrico potrebbe non intervenire. Se il freno elettrico dovesse non funzionare con una certa frequenza, la sega dovrà essere portata in un centro di assistenza Milwaukee autorizzato. Estrarre la sega dal pezzo da lavorare soltanto dopo l'arresto della lama.

BATTERIE

Batterie non utilizzate per molto tempo devono essere ricaricate prima dell'uso.

A temperature superiori ai 50°C, la potenza della batteria si riduce.

Evitare di esporre l'accumulatore a surriscaldamento prolungato, dovuto ad esempio ai raggi del sole o ad un impianto di riscaldamento.

Per una durata di vita ottimale, dopo l'uso le batterie devono essere completamente ricaricate.

Per una più lunga durata, rimuovere le batterie dal caricabatterie quando saranno cariche.

In caso di immagazzinaggio della batteria per più di 30 giorni:

Immagazzinare la batteria a circa 27°C in ambiente asciutto.

Immagazzinare la batteria con carica di circa il 30% - 50%.

Ricaricare la batteria ogni 6 mesi.

DISPOSITIVO ANTISOVRACCARICO ACCUMULATORE

In caso di sovraccarico dell'accumulatore dovuto a consumo molto elevato di corrente, ad es. coppie di serraggio estremamente elevate, bloccaggio, arresto improvviso o cortocircuito, l'elettro-utensile romba per 2 secondi e poi si spegne automaticamente.

Per riaccenderlo, rilasciare l'interruttore e poi riaccenderlo.

Se sottoposto a carichi estremi, l'accumulatore può surriscaldarsi. In questo caso l'accumulatore si spegne.

TRASPORTO DI BATTERIE AGLI IONI DI LITIO

Le batterie agli ioni di litio sono soggette alle disposizioni di legge sul trasporto di merce pericolosa.

Il trasporto di queste batterie deve avvenire rispettando le disposizioni e norme locali, nazionali ed internazionali.

- Gli utilizzatori possono trasportare queste batterie su strada senza alcuna restrizione.
- Il trasporto commerciale di batterie agli ioni di litio è regolato dalle disposizioni sul trasporto di merce pericolosa. Le preparazioni al trasporto ed il trasporto stesso devono essere svolti esclusivamente da persone idoneamente istruite. Tutto il processo deve essere gestito in maniera professionale.

Durante il trasporto di batterie occorre tenere conto di quanto segue:

- Assicurarsi che i contatti siano protetti ed isolati per evitare corto circuiti.
- Accertarsi che il gruppo di batterie non possa spostarsi all'interno dell'imballaggio.
- Batterie danneggiate o batterie che perdono liquido non devono essere trasportate.

Per ulteriori informazioni si prega di contattare il proprio trasportatore.

MANUTENZIONE

Tener sempre ben pulite le fessure di ventilazione dell'apparecchio.

Usare solo accessori Milwaukee e pezzi di ricambio Milwaukee. Gruppi costruttivi la cui sostituzione non è stata descritta, devono essere fatti cambiare da un punto di servizio di assistenza tecnica al cliente Milwaukee (vedi depliant garanzia/indirizzi assistenza tecnica ai clienti).

In caso di necessità è possibile richiedere un disegno esploso del dispositivo indicando il modello della macchina ed il numero a sei cifre sulla targa di potenza rivolgendosi al centro di assistenza tecnica o direttamente a Techtronic Industries GmbH, Max-Eyth-Straße 10, 71364 Winnenden, Germany.

SIMBOLI



ATTENZIONE! AVVERTENZA! PERICOLO!



Prima di iniziare togliere la batteria dalla macchina.



Leggere attentamente le istruzioni per l'uso prima di mettere in funzione l'elettro-utensile.



Durante l'uso dell'apparecchio utilizzare sempre gli occhiali di protezione.



Accessorio - Non incluso nella dotazione standard, disponibile a parte come accessorio.



I dispositivi elettrici, le batterie e le batterie ricaricabili non devono essere smaltiti con i rifiuti domestici.

I dispositivi elettrici e le batterie devono essere raccolti separatamente e devono essere conferiti ad un centro di riciclaggio per lo smaltimento rispettoso dell'ambiente.

Chiedere alle autorità locali o al rivenditore specializzato dove si trovano i centri di riciclaggio e i punti di raccolta.



Numero di corse a vuoto



Volt



Corrente continua



Marchio di conformità europeo



Marchio di conformità ucraino



Marchio di conformità euroasiatico

DATOS TÉCNICOS		SIERRA DE SABLE A BATERIA	C 18 HZ
Número de producción	4526 65 03...		
.....	4467 30 03...		
.....	4313 78 03...		
.....	...000001-999999		
Voltaje de batería.....	18 V		
Nº de carreras en vacío.....	0-3000 min ⁻¹		
Carrera	20 mm		
Peso de acuerdo con el procedimiento EPTA 01/2014 (1,5 Ah).....	2,2 kg		
Peso de acuerdo con el procedimiento EPTA 01/2014 (3,0 Ah).....	2,5 kg		
Temperatura ambiente recomendada durante el trabajo.....	-18...+50 °C		
Tipos de acumulador recomendados	M18B...		
Cargadores recomendados.....	M12-18C, M12-18AC, M12-18FC, M1418C6		

Información sobre ruidos / vibraciones

Determinación de los valores de medición según norma EN 62841.

La presión acústica se eleva normalmente

Presión acústica (Tolerancia K=3dB(A))..... 81 dB (A)

Resonancia acústica (Tolerancia K=3dB(A))..... 92 dB (A)

Usar protectores auditivos!

Nivel total de vibraciones (suma vectorial de tres direcciones) determinado según EN 62841.

Valor de vibraciones generadas a_h

Corte de vigas de madera *..... 7,2 m/s²

Tolerancia K..... 1,5 m/s²

* con hoja de sierra bimetal, tamaño 150 x 1,25 mm y paso de dientes de 5 mm

ADVERTENCIA

El nivel vibratorio indicado en estas instrucciones ha sido medido conforme a un método de medición estandarizado en la norma EN 62841, y puede utilizarse para la comparación entre herramientas eléctricas. También es apropiado para una estimación provisional de la carga de vibración.

El nivel vibratorio indicado representa las aplicaciones principales de la herramienta eléctrica. Si, pese a ello, se utiliza la herramienta eléctrica para otras aplicaciones, con útiles adaptables diferentes o con un mantenimiento insuficiente, el nivel vibratorio puede diferir. Esto puede incrementar sensiblemente la carga de vibración durante todo el periodo de trabajo.

Para una estimación exacta de la carga de vibración deberían tenerse en cuenta también los tiempos durante los que el aparato está apagado o, pese a estar en funcionamiento, no está siendo realmente utilizado. Esto puede reducir sustancialmente la carga de vibración durante todo el periodo de trabajo.

Adopte medidas de seguridad adicionales para la protección del operador frente al efecto de las vibraciones, como por ejemplo: mantenimiento de la herramienta eléctrica y de los útiles adaptables, mantener las manos calientes, organización de los procesos de trabajo.

A ADVERTENCIA: Lea todas las advertencias de peligro, instrucciones, ilustraciones y especificaciones suministradas con esta herramienta eléctrica.

En caso de no atenerse a las instrucciones siguientes, ello puede ocasionar una descarga eléctrica, un incendio y/o lesión grave.

A INSTRUCCIONES DE SEGURIDAD PARA SIERRAS SABLE

Sujete el aparato de las superficies aisladas de agarre al efectuar trabajos en los cuales la perforadora de percusión pueda entrar en contacto con conductores de corriente ocultos. El contacto con conductores portadores de tensión puede hacer que las partes metálicas del aparato le provoquen una descarga eléctrica.

Utilice prensas de tornillo u otros medios de ayuda para sujetar la pieza de trabajo en una superficie estable. Al sujetar la pieza de trabajo con la mano o al contrapresionarla con el cuerpo, ésta puede correrse y provocar el pérdida de control.

INSTRUCCIONES ADICIONALES DE SEGURIDAD Y LABORALES

Utilice el equipamiento de protección. Mientras trabaje con la máquina lleve siempre gafas protectoras. Se recomienda utilizar ropa de protección como máscara protectora contra el polvo, guantes protectores, calzado resistente y antideslizante, casco y protección para los oídos.

El polvo que se produce durante estos trabajos puede ser nocivo a la salud; es por ello es aconsejable que no penetre al cuerpo. Utilice por ello una máscara protectora contra polvo.

No se deben trabajar materiales que conlleven un riesgo para la salud (por ej. amianto).

¡En caso de que se bloquee el útil, el aparato se debe desconectar inmediatamente! No vuelva a conectar el aparato, mientras el útil esté bloqueado; se podría producir un rechazo debido a la reacción de retroceso brusca. Averigüe y elimine la causa del bloqueo del útil, teniendo en cuenta las indicaciones de seguridad.

Causas posibles para ello pueden ser:

- Atascamiento o bloqueo en la pieza de trabajo
- Rotura del material con el que está trabajando
- Sobrecarga de la herramienta eléctrica

No introduzca las manos en la máquina mientras ésta se encuentra en funcionamiento.

El útil se puede calentar durante el uso.

ADVERTENCIA! Peligro de quemaduras

- en caso de cambiar la herramienta
- en caso de depositar el aparato

Nunca se debe intentar limpiar el polvo o viruta procedente del taladrado con la máquina en funcionamiento.

Para trabajar en paredes, techo o suelo, tenga cuidado para evitar los cables eléctricos y tuberías de gas o agua.

Fije la pieza de trabajo con un dispositivo de fijación. Las piezas de trabajo no fijadas pueden causar lesiones graves y deterioros.

No usar seguetas rajadas o torcidas.

En materiales blandos (madera, materiales ligeros de construcción para paredes) es posible hacer cortes verticales sin taladrar primero un agujero. En materiales duros (metales) primero se debe taladrar un agujero de acuerdo con el tamaño de la seguenta.

Retire la batería antes de comenzar cualquier trabajo en la máquina.

No tire las baterías usadas a la basura ni al fuego. Los Distribuidores Milwaukee ofrecen un servicio de recogida de baterías antiguas para proteger el medio ambiente.

No almacene la batería con objetos metálicos (riesgo de cortocircuito).

No introduzca en la cavidad del cargador objetos metálicos (riesgo de cortocircuito).

Recargar solamente los acumuladores del Sistema 18 V en cargadores 18 V. No intentar recargar acumuladores de otros sistemas.

No abra nunca las baterías ni los cargadores y guárdelos sólo en lugares secos. Protéjalos de la humedad en todo momento.

En caso de sobrecarga o alta temperatura, pueden llegar a producirse escapes de ácido provenientes de la batería. En caso de contacto con éste, limpie inmediatamente la zona con agua y jabón. Si el contacto es en los ojos, límpiese concienzudamente con agua durante 10 minutos y acuda inmediatamente a un médico.

Advertencial Para reducir el riesgo de incendio, lesión personales y daños al producto debido a un cortocircuito, no sumerja nunca la herramienta, el paquete de baterías o el cargador en líquido ni permita que fluya un fluido dentro de ellos. Los fluidos corrosivos o conductivos, como el agua de mar, ciertos productos químicos-cos industriales y blanqueadores o lejías que contienen, etc., Pueden causar un cortocircuito.

DECLARACION DE CONFORMIDAD CE

Declaramos bajo nuestra responsabilidad que el producto descrito bajo "Datos técnicos" está en conformidad con todas las normas relevantes de la directiva 2011/65/EU (RoHS), 2014/30/UE, 2006/42/CE y con las siguientes normas o documentos normalizados:

EN 62841-1:2015
EN 62841-2-11:2016
EN 55014-1:2017
EN 55014-2:2015
EN IEC 63000:2018

Winnenden, 2019-02-13



Alexander Krug
Managing Director



Autorizado para la redacción de los documentos técnicos.

Techtronic Industries GmbH
Max-Eyth-Straße 10
71364 Winnenden
Germany

APLICACIÓN DE ACUERDO A LA FINALIDAD

Esta sierra de sable puede cortar madera, plástico y metal; puede cortar líneas rectas, curvas y efectuar cortes internos.

No utilice este producto para ninguna otra aplicación que no sea su uso normal.

FRENO ELECTRICO

Al soltar el gatillo, el freno eléctrico frena la hoja de la sierra dentro de aprox. 2 segundos. Sin embargo, el freno eléctrico puede actuar también de forma más retardada. De vez en cuando, el freno eléctrico no produce efecto. En caso de que el freno eléctrico no surta efecto de forma más frecuente, deberá llevarse la sierra a un servicio de postventa autorizado por Milwaukee. Extraer la sierra de la pieza de trabajo únicamente en el momento de paro de la hoja de la sierra.

BATERIA

Las baterías no utilizadas durante cierto tiempo deben ser recargadas antes de usar. Las temperaturas superiores a 50°C reducen el rendimiento de la batería. Evite una exposición excesiva a fuentes de calor o al sol (riesgo de sobrecalentamiento).

Los puntos de contacto de los cargadores y las baterías se deben mantener limpios.

Para un tiempo de vida óptimo, deberán cargarse completamente las baterías después de su uso.

Para garantizar la máxima capacidad y vida útil, las baterías recargables se deberían retirar del cargador una vez finalizada la carga.

En caso de almacenar la batería recargable más de 30 días: Almacenar la batería recargable en un lugar seco a una temperatura de aproximadamente 27°C. Almacenar la batería recargable con un estado de carga del 30% y 50% aproximadamente. Recargar la batería cada 6 meses.

PROTECCIÓN CONTRA SOBRECARGA DE LA BATERÍA

En caso de sobrecarga del acumulador por consumo muy elevado de corriente, por ej. debido a pares muy elevados, agotamiento, parada repentina o cortocircuito, la herramienta eléctrica zumbará durante 2 segundos y se desconectará automáticamente. Para reconectarla, liberar primero el gatillo interruptor y después conectarla de nuevo. Bajo cargas extremas, el acumulador se puede calentar mucho. En este caso desconectar el acumulador.

TRANSPORTE DE BATERÍAS DE IONES DE LITIO

Las baterías de iones de litio caen bajo las disposiciones legales relativas al transporte de mercancías peligrosas.

El transporte de estas baterías recargables debe llevarse a cabo, observando las normas y disposiciones locales, nacionales e internacionales.

- Los consumidores pueden transportar estas baterías recargables sin el menor reparo en la calle.
- El transporte comercial de baterías recargables de iones de litio por empresas de transportes está sometido a las disposiciones del transporte de mercancías

peligrosas. Las preparaciones para el envío y el transporte deben ser llevados a cabo exclusivamente por personas instruidas adecuadamente. El proceso completo debe ser supervisado por personal competente.

Los siguientes puntos se deben observar para el transporte de las baterías recargables:

- Se debe asegurar que los contactos estén protegidos y aislados para evitar que se produzcan cortocircuitos.
- Preste atención a que el conjunto de baterías recargables no se pueda desplazar dentro del envase.
- Las baterías recargables deterioradas o derramadas no se deben transportar.

Rogamos que para cualquier información adicional se dirija a su empresa de transportes.

MANTENIMIENTO

Las ranuras de ventilación de la máquina deben estar despejadas en todo momento.

Utilice solamente accesorios y repuestos Milwaukee. En caso de necesitar reemplazar componentes no descritos, contacte con cualquiera de nuestras estaciones de servicio Milwaukee (consultar lista de servicio técnicos)

Puede solicitar, en caso necesario, una vista despiezada del aparato bajo indicación del tipo de máquina y el número de seis dígitos en la placa indicadora de potencia en su Servicio de Postventa o directamente en Techtronic Industries GmbH, Max-Eyth-Straße 10, 71364 Winnenden, Germany.

SÍMBOLOS



¡ATENCIÓN! ¡ADVERTENCIA! ¡PELIGRO!



Retire la batería antes de comenzar cualquier trabajo en la máquina.



Lea las instrucciones detenidamente antes de conectar la herramienta



Para trabajar con la máquina, utilizar siempre gafas de protección.



Accesorio - No incluido en el equipo estándar, disponible en la gama de accesorios.



Los electrodomésticos y las baterías/acumuladores no se deben eliminar junto con la basura doméstica. Los aparatos eléctricos y los acumuladores se deben recoger por separado y se deben entregar a una empresa de reciclaje para una eliminación respetuosa con el medio ambiente. Infórmese en las autoridades locales o en su tienda especializada sobre los centros de reciclaje y puntos de recogida.



Nº de carreras en vacío



Tensión



Corriente continua



Marcado de conformidad europeo



Marcado de conformidad ucraniano



Marcado de conformidad euroasiático

CARACTERÍSTICAS TÉCNICAS	SERRA DE SABRE A BATERIA	C 18 HZ
Número de produção.....	4526 65 03...	
.....	4467 30 03...	
.....	4313 78 03...	
.....	...000001-999999	
Tensão do acumulador.....	18 V	
Nº. de cursos em vazio.....	0-3000 min ⁻¹	
Curso.....	20 mm	
Peso nos termos do procedimento-EPTA 01/2014 (1,5 Ah).....	2,2 kg	
Peso nos termos do procedimento-EPTA 01/2014 (3,0 Ah).....	2,5 kg	
Temperatura ambiente recomendada ao trabalhar.....	-18...+50 °C	
Tipos de baterias recomendadas.....	M18B...	
Carregadores recomendados.....	M12-18C, M12-18AC, M12-18FC, M1418C6	

Informações sobre ruído/vibração

Valores de medida de acordo com EN 62841.

Normalmente o nível de pressão de ruído da ferramenta é

Nível da pressão de ruído (Incertez K=3dB(A)).....81 dB (A)

Nível da potência de ruído (Incertez K=3dB(A)).....92 dB (A)

Use protectores auriculares!

Valores totais de vibração (soma dos vectores das três direcções) determinadas conforme EN 62841.

Valor de emissão de vibração a_w

Serrar vigas de madeira *.....7,2 m/s²

Incerteza K.....1,5 m/s²

* com lâmina da serra bimetal, dimensões 150 x 1,25 mm e passo de dentes 5 mm

ATENÇÃO

O nível vibratório indicado nestas instruções foi medido em conformidade com um procedimento de medição normalizado na EN 62841 e pode ser utilizado para comparar entre si ferramentas eléctricas. O mesmo é também adequado para avaliar provisoriamente o esforço vibratório.

O nível vibratório indicado representa as principais aplicações da ferramenta eléctrica. Se, no entanto, a ferramenta eléctrica for utilizada para outras aplicações, com outras ferramentas adaptadas ou uma manutenção insuficiente, o nível vibratório poderá divergir. Isto pode aumentar consideravelmente o esforço vibratório ao longo de todo o período do trabalho.

Para uma avaliação exacta do esforço vibratório devem também ser considerados os tempos durante os quais o aparelho está desligado ou está a funcionar, mas não está efectivamente a ser utilizado. Isto pode reduzir consideravelmente o esforço vibratório ao longo de todo o período do trabalho.

Defina medidas de segurança suplementares para proteger o operador do efeito das vibrações, como por exemplo: manutenção da ferramenta eléctrica e das ferramentas adaptadas, manter as mãos quentes, organização das sequências de trabalho.

⚠ ADVERTÊNCIA Devem ser lidas todas as advertências de segurança, instruções, ilustrações e especificações fornecidas com esta ferramenta eléctrica. O desrespeito das advertências e instruções apresentadas abaixo pode causar choque elétrico, incêndio e/ou graves lesões.

⚠ INSTRUÇÕES DE SEGURANÇA PARA SERRAS DE SABRE

Segure o aparelho nas superfícies de punho isoladas se estiver a executar trabalhos, nos quais a ferramenta de corte pode tocar em linhas eléctricas escondidas. O contacto com um cabo com tensão também pode as partes metálicas do aparelho sob tensão e leva a choque eléctrico.

Use argentos ou outros recursos práticos para fixar a peça a trabalhar em uma base sólida. Se a peça a trabalhar for segurada com a mão ou apoiada de encontro com o corpo, a peça poderá deslocar-se o que poderá levar à perda do controlo.

INSTRUÇÕES DE SEGURANÇA E TRABALHO SUPLEMENTARES

Utilizar equipamento de protecção. Durante os trabalhos com a máquina, usar sempre óculos de protecção. Vestuário de protecção, bem como máscara de pó, sapatos fechados e antiderrapante, capacete e protecção auditiva são recomendados.

O pó que resulta ao trabalhar pode ser nocivo para a saúde, por isso não devendo penetrar no corpo. Use uma máscara de protecção contra pó apropriada.

Não devem ser processados materiais que representem um perigo para a saúde (p. ex. asbesto).

Desligue o aparelho imediatamente, quando a ferramenta de inserção bloquear! Não ligue o aparelho novamente durante o bloqueio da ferramenta de inserção, pois isso pode levar a um recuo repentino com uma alta força reactiva. Verifique e elimine a causa do bloqueio da ferramenta de inserção, observando as instruções de segurança.

Causas possíveis podem ser:

- Emperramento na peça a trabalhar
- Material a processar rompido
- Sobrecarga da ferramenta eléctrica

Não toque na máquina em operação.

A ferramenta de inserção pode ficar quente durante a operação.

ATENÇÃO! Perigo de queimar-se

- na troca das ferramentas
- ao depositar o aparelho

Não remover aparas ou lascas enquanto a máquina trabalha.

Ao trabalhar em paredes, tectos e soalhos prestar atenção a que não sejam atingidos cabos eléctricos e canalizações de gás e água.

Fixe a peça a trabalhar com um dispositivo de fixação. Peças a trabalhar não fixadas podem levar a feridas graves e danos sérios.

Não utilizar lâminas de corte fissuradas ou deformadas.

Cortes envaziados só são possíveis em materiais não muito consistentes (madeira, aglomerados ligeiros para paredes). Em materiais mais duros (metais) é necessário efectuar uma furação na qual caiba a lâmina de corte.

Antes de efectuar qualquer intervenção na máquina retirar o bloco acumulador.

Não queimar acumuladores gastos nem deitá-los no lixo doméstico. A Milwaukee possui uma eliminação de acumuladores gastos que respeita o meio ambiente.

Não guardar acumuladores junto com objectos metálicos (perigo de curto-circuito).

Não abrir acumuladores e carregadores. Armazená-los em recintos secos. Protégê-los contra humidade.

Use apenas carregadores do Sistema 18 V para recarregar os acumuladores do Sistema 18 V. Não utilize acumuladores de outros sistemas.

Carregadores só devem ser utilizados em recintos secos.

Em caso de cargas ou temperaturas extremas, um acumulador de substituição danificado poderá verter líquido de bateria. Se entrar em contacto com este líquido, deverá lavar-se imediatamente com água e sabão. Em caso de contacto com os olhos, enxágue-os bem e de imediato durante pelo menos 10 minutos e consulte um médico o mais depressa possível.

DECLARAÇÃO DE CONFORMIDADE CE

Declaramos sob responsabilidade exclusiva, que o produto descrito sob "Dados técnicos" corresponde com todas as disposições relevantes da diretiva 2011/65/EU (RoHS), 2014/30/UE, 2006/42/CE e dos seguintes documentos normativos harmonizados.

EN 62841-1:2015
EN 62841-2-11:2016
EN 55014-1:2017
EN 55014-2:2015
EN IEC 63000:2018

Winnenden, 2019-02-13

Alexander Krug

Alexander Krug
Managing Director



Autorizado a reunir a documentação técnica.

Techtronic Industries GmbH
Max-Eyth-Straße 10
71364 Winnenden
Germany

UTILIZAÇÃO AUTORIZADA

Esta serra de sabre corta madeira, plástico e metal. Cortes curvos e à face do material.

Não use este produto de outra maneira sem ser a normal para o qual foi concebido.

TRAVÃO ELÉCTRICO

Quando se solta o interruptor, o travão electrónico parará a lâmina de serra dentro de aproximadamente 2 segundos. Contudo, este intervalo pode ser maior devido a uma reacção atrasada do travão electrónico. Ocasionalmente pode acontecer que o travão não pára a lâmina. Se isto acontecer frequentemente, deve levar a serra a um centro de serviços autorizado pela Milwaukee.

Não tire a serra da peça a trabalhar, enquanto a lâmina não ter parado.

ACUMULADOR

Acumuladores não utilizados durante algum tempo devem ser recarregados antes da sua utilização.

Temperaturas acima de 50°C reduzem a capacidade do bloco acumulador. Evitar exposição prolongada ao sol ou a caloríferos.

Manter limpos os contactos eléctricos no carregador e no bloco acumulador.

Para uma vida útil óptima dos acumuladores, terá que carregá-los plenamente após a sua utilização.

Para assegurar uma vida útil longa, o pacote de bateria deve ser removido da carregadora depois do carregamento.

Se o pacote de bateria for armazenado por mais de 30 dias:

Armazene o pacote de bateria com aprox. 27°C em um lugar seco.

Armazene o pacote de bateria com aprox. 30%-50% da carga completa.

Carregue o pacote de bateria novamente de 6 em 6 meses.

PROTECÇÃO DE SOBRECARGA DE BATERIA

No caso de sobrecarga da bateria devido a um consumo de corrente demasiado elevado, por exemplo um binário de rotação extremamente elevado, um bloqueio, uma paragem repentina ou um curto-circuito, a ferramenta eléctrica vibra durante 2 segundos e desliga-se automaticamente.

Para a ligar novamente, desligar e voltar a ligar o interruptor. Sob condições extremas, a bateria pode aquecer demasiado. Neste caso a bateria desliga-se."

TRANSPORTE DE BATERIAS DE IÃO-LÍLIO

Baterias de ião-lítio estão sujeitas às disposições da legislação relativa às substâncias perigosas.

O transporte destas baterias deve ser efetuado de acordo com as disposições e os regulamentos locais, nacionais e internacionais.

- O utilizador pode efetuar o transporte rodoviário destas baterias sem restrições.
- O transporte comercial de baterias de ião-lítio por terceiros está sujeito aos regulamentos relativos às substâncias perigosas. A preparação do transporte e o transporte devem ser executados exclusivamente por pessoas instruídas e o processo deve ser acompanhado pelos especialistas correspondentes.

Observe o seguinte no transporte de baterias:

- Assegure-se de que os contatos terminais estejam protegidos e isolados para evitar um curto-circuito.

- Assegure-se de que o bloco da bateria esteja protegido contra movimentos na embalagem.
- Não transporte baterias danificadas ou que tenham fuga.

Para instruções mais detalhadas consulte a companhia de transportes

MANUTENÇÃO

Manter desobstruídos os rasgos de ventilação na carcaça da máquina.

Utilizar apenas acessórios Milwaukee e peças sobresselentes Milwaukee. Os componentes cuja substituição não esteja descrita devem ser substituídos num serviço de assistência técnica Milwaukee (consultar a brochura relativa à garantia/moradas dos serviços de assistência técnica).

Se for necessário, um desenhado de explosão do aparelho pode ser solicitado do seu posto de assistência ao cliente ou directamente da Techtronic Industries GmbH, Max-Eyth-Straße 10, 71364 Winnenden, Alemanha, indicando o tipo da máquina e o número de seis posições na chapa indicadora da potência.

SYMBOLS

	ATENÇÃO! PERIGO!
	Antes de efectuar qualquer intervenção na máquina retirar o bloco acumulador.
	Leia atentamente o manual de instruções antes de colocar a máquina em funcionamento.
	Usar sempre óculos de protecção ao trabalhar com a máquina.
	Acessório - Não incluído no equipamento normal, disponível como acessório.
	Aparelhos eléctricos, baterias/acumuladores não devem ser jogados no lixo doméstico. Os aparelhos eléctricos e as baterias devem ser colectados separadamente e entregues a uma empresa de reciclagem para a eliminação correcta. Solicite informações sobre empresas de reciclagem e postos de colecta de lixo das autoridades locais ou do seu vendedor autorizado.
n_n	Nº. de cursos em vazio
V	Tensão
	Corrente contínua
	Marca de Conformidade Europeia
	Marca de Conformidade Ucraniana
	Marca de Conformidade Eurasiática

TECHNISCHE GEGEVENS	ACCU-RECIPROZAAGMACHINE	C 18 HZ
Productienummer	4526 65 03...	
.....	4467 30 03...	
.....	4313 78 03...	
.....	...00001-999999	
Spanning wisselakku	18 V	
Onbelast toerental	0-3000 min ⁻¹	
Slaglengte.....	20 mm	
Gewicht volgens de EPTA-procedure 01/2014 (1,5 Ah)	2,2 kg	
Gewicht volgens de EPTA-procedure 01/2014 (3,0 Ah)	2,5 kg	
Aanbevolen omgevingstemperatuur tijdens het werken	-18...+50 °C	
Aanbevolen accutypes	M18B ..	
Aanbevolen laadtoestellen	M12-18C, M12-18AC, M12-18FC, M1418C6	

Geluids-/trillingsinformatie

Meetwaarden vastgesteld volgens EN 62841.

Het kenmerkende A-gewaardeerde geluidsdrukniveau van de machine bedraagt

Geluidsdrukniveau (Onzekerheid K=3dB(A)).....	81 dB (A)
Geluidsvermogeniveau (Onzekerheid K=3dB(A)).....	92 dB (A)

Draag oorbeschermers!

Totale trillingswaarden (vector som van drie richtingen) bepaald volgens EN 62841.

Trillingsmissiewaarde a _h	7,2 m/s ²
Zagen van houten balken *	
Onzekerheid K.....	1,5 m/s ²

* met zaagblad bimetaal, maat 150 x 1,25 mm en tandafstand 5 mm

WAARSCHUWING

De in deze aanwijzingen vermelde trillingsdruk is gemeten volgens een in EN 62841 genormeerde meetmethode en kan worden gebruikt voor de onderlinge vergelijking van apparaten. Hij is ook geschikt voor een voorlopige inschatting van de trillingsbelasting.

De aangegeven trillingsdruk geldt voor de meest gebruikelijke toepassingen van het elektrische gereedschap. Wanneer het elektrische gereedschap echter voor andere doeleinden, met andere dan de voorgeschreven hulpstukken gebruikt of niet naar behoren onderhouden wordt, kan de trillingsdruk afwijken. Dit kan de waarde van de trillingsdruk over de hele werkperiode aanzienlijk verhogen.

Voor een nauwkeurige inschatting van de trillingsdruk moeten ook de tijden in aanmerking worden genomen dat het apparaat uitgeschakeld is of weliswaar loopt, maar niet werkelijk in gebruik is. Dit kan de waarde van de trillingsdruk over de hele werkperiode aanzienlijk verminderen.

Bepaal extra veiligheidsmaatregelen ter bescherming van de bediener tegen de inwerking van trillingen, bijvoorbeeld: onderhoud van elektrische gereedschappen en apparaten, warmhouden van de handen, organisatie van de werkprocessen.

⚠ WAARSCHUWING! Lees alle veiligheidswaarschuwingen, voorschriften, afbeeldingen en specificaties voor dit elektrische gereedschap. Als de onderstaande waarschuwingen niet worden opgevolgd, kan dit een elektrische schok, brand of ernstig letsel tot gevolg hebben.

⚠ VEILIGHEIDSLINSTRUCTIES VOOR SABELZAGEN

Houd het apparaat alleen aan de geïsoleerde grijpvlakken vast, wanneer u werkzaamheden uitvoert waarbij het snijgereedschap verborgen stroomleidingen zou kunnen raken. Het contact met een onder spanning staande leiding zet ook de metalen machinedelen onder spanning en leidt tot een elektrische schok.

Gebruik lijmklemmen of andere geschikte hulpmiddelen om het werkstuk aan een stabiele ondergrond te bevestigen. Als u het werkstuk met uw hand of met uw lichaam tegenhoudt, kan het wegglijden, waardoor u de controle kunt verliezen.

VERDERE VEILIGHEIDS- EN WERKINSTRUCTIES

Draag veiligheidsuitrusting. Bij werkzaamheden met de machine dient u altijd een veiligheidsbril te dragen. Veiligheidskleding zoals stofmasker, veiligheidshandschoenen, stevig en slipvast schoeisel, helm en gehoorbescherming worden aanbevolen.

Het gedurende het werken vrijkomende stof is doorgaans schadelijk voor de gezondheid en mag niet met het lichaam in aanraking komen. Draag derhalve een geschikt stofbeschermingsmasker.

Het is niet toegestaan, materialen te bewerken waarvan een gezondheidsgevaar uitgaat (bijv. asbest).

Schakel het apparaat onmiddellijk uit als het gereedschap blokkeert! Schakel het apparaat niet in zolang het gereedschap geblokkeerd is; dit zou een terugslag met een hoog reactiemoment kunnen veroorzaken. Achterhaal en verhelp de oorzaak voor de blokkering van het gereedschap met inachtneming van de veiligheidsinstructies.

Mogelijke oorzaken voor de blokkering:

- kantelen in het te bewerken werkstuk
- doorbreken van het te bewerken materiaal
- overbelasting van het elektrische gereedschap

Grijp niet in de lopende machine.

Het gereedschap kan heet worden tijdens het gebruik.

WAARSCHUWING! Gevaar voor verbranding

- bij het vervangen van het gereedschap
- bij het neerleggen van het apparaat

Spanen of splinters mogen bij draaiende machine niet worden verwijderd.

Bij het werken in wanden, plafonds of vloeren oppassen voor elektriciteitsdraden, gas- of waterleidingen.

Borg uw werkstuk met behulp van een spaninrichting. Niet geborgde werkstukken kunnen ernstig letsel en grote schade veroorzaken.

Gescheurde zaagbladen of welke van vorm veranderd zijn, mogen niet gebruikt worden.

Insteekzagen is alleen in zachte materialen (hout, lichte bouwstoffen voor wanden) mogelijk. Bij hardere materialen (metalen) moet een boring overeenkomstig de grootte van het zaagblad aangebracht worden.

Voor alle werkzaamheden aan de machine de akku verwijderen.

Verbruikte akku's niet in het vuur of bij het huisvuil werpen. Milwaukee biedt namelijk een milieuvriendelijke recyclingmethode voor uw oude akku's.

Wisselakku's niet bij metalen voorwerpen bewaren (kortsluitingsgevaar !) .

In de wisselakku-opnamenschacht van het laadapparaat mogen géén metaaldeeltjes komen (kortsluitingsgevaar !) .

Wisselakku's van het Akku-Systeem 18 V alleen met laadapparaten van het Akku-Systeem 18 V laden. Geen akku's van andere systemen laden.

Wisselakku's en laadapparaten niet openen en alleen in droge ruimtes opslaan. Tegen vocht beschermen.

Onder extreme belasting of extreme temperaturen kan uit de accu accu-vloeistof lopen. Na contact met accu-vloeistof direct afwassen met water en zeep. Bij oogcontact direct minstens 10 minuten grondig spoelen en onmiddellijk een arts raadplegen.

Waarschuwing! Voorkom brand, persoonlijk letsel of materiële schade door kortsluiting en dompel het gereedschap, de wisselaccu en het laadtoestel niet onder in vloeistoffen en waarborg dat geen vloeistoffen in de apparaten en accu's kunnen dringen. Corrosieve of geleidende vloeistoffen zoals zout water, bepaalde chemicaliën, bleekmiddelen of producten die bleekmiddelen bevatten, kunnen een kortsluiting veroorzaken.

EC - VERKLARING VAN OVEREENSTEMMING

Wij verklaren in uitsluitende verantwoording dat het onder 'Technische gegevens' beschreven product overeenstemt met alle relevante voorschriften van de richtlijn 2011/65/EU (RoHS), 2014/30/EU, 2006/42/EG en de volgende geharmoniseerde normatieve documenten:

EN 62841-1:2015
EN 62841-2-11:2016
EN 55014-1:2017
EN 55014-2:2015
EN IEC 63000:2018

Winnenden, 2019-02-13

Alexander Krug

Alexander Krug
Managing Director



Gemachtigd voor samenstelling van de technische documenten

Techtronic Industries GmbH
Max-Eyth-Straße 10
71364 Winnenden
Germany

VOORGESCHREVEN GEBRUIK VAN HET SYSTEEM

De reciprozaag zaagt hout, kunststof en metaal. Zagen van bochten, insteekzagen, en recht afzagen is mogelijk.

Dit apparaat uitsluitend gebruiken voor normaal gebruik, zoals aangegeven.

ELEKTRISCHE REM

Als u de drukschakelaar loslaat, wordt het zaagblad binnen twee seconden gestopt door de elektrische rem. De elektrische rem kan echter ook vertraagd werken. Af en toe werkt de elektrische rem niet. Als de elektrisch rem vaker niet functioneert, moet de zaag naar een geautoriseerd Milwaukee servicepunt worden gebracht.

Trek de zaag pas na stilstand van het zaagblad uit het werkstuk.

AKKU

Langere tijd niet toegepaste wisselakku's vóór gebruik altijd naladen.

Een temperatuur boven de 50°C vermindert de capaciteit van de accu. Langdurige verwarming door zon of hitte vermijden.

De aansluitcontacten aan het laadapparaat en de akku schoonhouden.

Voor een optimale levensduur moeten de accu's na het gebruik volledig opgeladen worden.

Voor een zo lang mogelijke levensduur van de accu's dienen deze na het opladen uit het laadtoestel te worden verwijderd.

Bij een langere opslag van de accu dan 30 dagen:

- accu bij ca. 27 °C droog bewaren.
- accu bij ca. 30 % - 50 % van de laadtoestand bewaren.
- accu om de 6 maanden opnieuw opladen.

OVERBELASTINGSBEVEILIGING VAN DE ACCU

Bij overbelasting van de accu door een zeer hoog stroomverbruik, bijv. extreem hoge draaimomenten, klemmen, plotseling stoppen of kortsluiting, vibreert het elektrische gereedschap gedurende 2 seconden en schakelt dan automatisch uit.

Om het gereedschap weer in te schakelen, moet u de drukschakelaar loslaten en vervolgens weer inschakelen.

Onder extreme belastingen wordt de accu te heet. In dit geval schakelt hij uit.

TRANSPORT VAN LITHIUM-IONEN-ACCU'S

Lithium-ionen-accu's vallen onder de wettelijke bepalingen inzake het transport van gevaarlijke goederen.

Voor het transport van deze accu's moeten de lokale, nationale en internationale voorschriften en bepalingen in acht worden genomen.

- Verbruikers mogen deze accu's zonder meer over de weg transporteren.
- Het commerciële transport van lithium-ionen-accu's door expeditiebedrijven is onderhevig aan de bepalingen inzake het transport van gevaarlijke goederen. De verzendingsvoorbereiding en het transport mogen uitsluitend worden uitgevoerd door dienovereenkomstig

opgeleide personen. Het complete proces moet vakkundig worden begeleid.

Onderstaande punten moeten bij het transport van accu's in acht worden genomen:

- Waarborg ter vermindering van kortsluitingen dat de contacten beschermd en geïsoleerd zijn.
- Let op dat het accupack in de verpakking niet kan verschuiven.
- Beschadigde of lekkende accu's mogen niet worden getransporteerd.

Neem voor meer informatie contact op met uw expeditiebedrijf.

ONDERHOUD

Altijd de luchtspleten van de machine schoonhouden.

Gebruik uitsluitend Milwaukee toebehoren en onderdelen. Indien componenten die moeten worden vervangen niet zijn beschreven, neem dan contact op met een officieel Milwaukee servicecentrum (zie onze lijst met servicecentra).

Zo nodig kan een explosietekening van het apparaat worden aangevraagd bij uw klantenservice of direct bij Techtronic Industries GmbH, Max-Eyth-Straße 10, 71364 Winnenden, Duitsland onder vermelding van het machinetype en het zescijferige nummer op het typeplaatje.

SYMBOLEN

	OPGELET! WAARSCHUWING! GEVAAR!
	Voor alle werkzaamheden aan de machine de akku verwijderen.
	Graag instructies zorgvuldig doorlezen vóórdat u de machine in gebruik neemt.
	Bij het werken met de machine altijd een veiligheidsbril dragen.
	Toebehoren - Wordt niet meegeleverd. Is apart leverbaar. Zie hiervoor het toebehorenprogramma.
	Elektrische apparaten, batterijen en accu's mogen niet via het huisafval worden afgevoerd. Elektrische apparaten en accu's moeten gescheiden worden verzameld en voor een milieuvriendelijke afvoer worden afgegeven bij een recyclingbedrijf. Informeer bij uw gemeente of bij uw vakhandelaar naar recyclingbedrijven en inzamel punten.
	Onbelast toerental
	Spanning
	Gelijkstroom
	Europees symbool van overeenstemming
	Oekraïens symbool van overeenstemming
	Euro-Aziatisch symbool van overeenstemming

TEKNISKE DATA	AKKU BAJONETSAV	C 18 HZ
Produktionsnummer	4526 65 03...	4467 30 03...
.....	4313 78 03...000001-999999
Udskiftningsbatteriets spænding	18 V	
Slagantal, ubelastet	0-3000 min ⁻¹	
Løftehøjde	20 mm	
Vægt svarer til EPTA-procedure 01/2014 (1,5 Ah)	2,2 kg	
Vægt svarer til EPTA-procedure 01/2014 (3,0 Ah)	2,5 kg	
Anbefalet temperatur under arbejdet	-18...+50 °C	
Anbefalede batterityper	M18B...	
Anbefalede opladere	M12-18C, M12-18AC, M12-18FC, M1418C6	

Støj/Vibrationsinformation

Måleværdier beregnes iht. EN 62841.

Værktøjets A-vægtede lydtrykniveau er typisk

Lydtrykniveau (Usikkerhed K=3dB(A)).....81 dB (A)

Lydeffekt niveau (Usikkerhed K=3dB(A)).....92 dB (A)

Brug høreværn!

Samlede vibrationsværdier (værdisum for tre retninger) beregnet iht. EN 62841.

Vibrationseksponering a_{hv}7,2 m/s²

Savning af træbjælker *.....1,5 m/s²

Usikkerhed K.....1,5 m/s²

* med savklinge bimetal, str. 150 x 1,25 mm og tandafstand 5 mm

ADVARSEL

Svingningsniveauet, som er angivet i disse anvisninger, er målt i henhold til standardiseret måleprocedure ifølge EN 62841 og kan anvendes til indbyrdes sammenligning mellem el-værktøjer. Svingningsniveauet er ligeledes egnet som foreløbigt skøn over svingningsbelastningen.

Det angivne svingningsniveau er baseret på el-værktøjets primære anvendelsesformål. Hvis el-værktøjet benyttes til andre formål, med andet indsatsværktøj eller ikke vedligeholdes tilstrækkeligt, kan svingningsniveauet afvige. Dette kan øge svingningsbelastningen over den samlede arbejdsperiode betydeligt.

For en nøjagtig vurdering af svingningsbelastningen skal der også tages højde for de tidsperioder, hvor apparatet er slukket, eller hvor apparatet kører, men uden at være i anvendelse. Dette kan reducere svingningsbelastningen over den samlede arbejdsperiode betydeligt.

Supplerende sikkerhedsforanstaltninger til beskyttelse af brugeren mod påvirkninger fra svingninger skal iværksættes, f.eks.: Vedligeholdelse af el-værktøj og indsatsværktøj, varmholdelse af hænder, organisering af arbejdsprocesser.

⚠ ADVARSEL Læs alle advarselsinformationer, anvisninger, figurer og specifikationer, som følger med dette el-værktøj. En manglende overholdelse af alle nedenstående anvisninger kan medføre elektrisk stød, brand og/eller alvorlige kvæstelser.

⚠ SIKKERHEDSINSTRUKTIONER FOR FREM- OG TILBAGEGÅENDE SAV

Hold maskinen fast i de isolerede gribeblader, når du udfører arbejde, hvor der er risiko for, at skæreværktøjet kan ramme skjulte strømledninger. Ved kontakt med en strømførende ledning står metaldelene på maskinen også under spænding og giver et elektrisk stød.

Brug skruetvinger eller andre praktiske hjælpemidler til at fastgøre arbejdsmenet på et stabilt under lag med. Hvis arbejdsmenet holdes med hånden, eller presses der imod med kroppen, kan emnet skride, hvilket kan føre til, at du mister kontrollen.

YDERLIGERE SIKKERHEDS- OG ARBEJDSINFORMATIONER

Brug beskyttelsesudstyr. Bær altid sikkerhedsbriller, når du arbejder med maskinen. Vi anbefaler desuden brug af personlig beskyttelsesudrustning, såsom støvmaske, sikkerhedshandsker, fast og skridsikkert skotøj, hjelm og høreværn.

Støv, som opstår under arbejdet, er ofte sundhedsfarligt og bør ikke trænge ind i kroppen. Benyt egnet åndedrætsværn.

Der må ikke bearbejdes nogen materialer, der kan udgøre en sundhedsrisiko (f.eks. asbest).

Sluk straks for maskinen, hvis indsatsværktøjet er blokeret! Tænd ikke for maskinen igen, så længe indsatsværktøjet er blokeret; dette kan føre til et tilbageslag med højt reaktionsmoment. Find frem til og afhjælp årsagen til indsatsværktøjets blokering under hensyntagen til sikkerhedsinstruktionerne.

Mulige årsager hertil kan være:

- at det sidder i klemme i emnet der bearbejdes
- at det har brækket materialet der bearbejdes
- at el-værktøjet er overbelastet

Grib ikke ind i maskinen, når den kører.

Indsatsværktøjet kan blive varmt under brugen.

ADVARSEL! Fare for forbrændinger

- ved værktøjsskift

- når man lægger maskinen fra sig

Spåner eller splinter må ikke fjernes, medens maskinen kører.

Ved arbejdsboring i væg, loft eller gulv skal man passe på elektriske kabler, gas- og vandledninger.

Sørg for at sikre dit emne med en spændeordning. Ikke sikrede emner kan forårsage alvorlige kvæstelser og beskadigelser.

Ridsede savklinger eller sådanne, som har ændret form, må ikke bruges.

Dyksavning er kun muligt i blødere materialer (træ, lette bygningsmaterialer til vægge, ved hårdere materialer (metaller) skal der anbringes et hul, hvis størrelse svarer til savklingen.

Ved arbejde inden i maskinen, bør batteriet tages ud.

Opbrugte udskiftningsbatterier må ikke brændes eller kasseres sammen med alm. husholdningsaffald. Milwaukee har en miljørigtig bortscaffelse af gamle udskiftningsbatterier, henvend Dem til Deres forhandler.

Opbevar ikke udskiftningsbatterier sammen med metalgenstande af fare for kortslutning.

Metaldele o.lign må ikke komme i berøring med rummet beregnet for udskiftningsbatterier (kortslutningsfare).

Brug kun 18 V ladeapparater for opladning af System 18 V batterier.

Udskiftningsbatterier og opladere må ikke åbnes og skal opbevares i tørre rum. Beskyt dem mod fugtighed.

I tilfælde af en ekstrem belastning eller ekstrem temperatur kan der flyde batterivæske ud af et beskadiget batteri. Hvis De kommer i berøring med batterivæsken, skal den vaskes godt og grundigt af med vand og sæbe. I tilfælde af øjenkontakt, skal man mindst skylle øjnene godt og grundigt igennem i 10 minutter og omgående opsøge en læge.

Advarsel! For at undgå risiko for brand, kvæstelser eller beskadigelse af produktet forårsaget af kortslutning må værktøjet, batteripakken eller opladeren ikke nedsænkes i vand. Sørg ligeledes for, at der ikke trænger væske ind i enhederne og batterierne. Korroderende eller ledende væsker, f.eks. saltvand, bestemte kemikalier, blegestoffer eller produkter, som indeholder blegestoffer, kan forårsage kortslutning.

CE-KONFORMITETSERKLÆRING

Vi erklærer som eneansvarlig, at det under "Tekniske data" beskrevne produkt stemmer overens med alle relevante forskrifter, der følger af direktiv 2011/65/EU (RoHS), 2014/30/EU, 2006/42/EF samt af følgende harmoniserede normative dokumenter:

EN 62841-1:2015
EN 62841-2-11:2016
EN 55014-1:2017
EN 55014-2:2015
EN IEC 63000:2018

Winnenden, 2019-02-13



Alexander Krug
Managing Director



Autoriseret til at udarbejde de tekniske dokumenter.

Technronic Industries GmbH
Max-Eyth-Straße 10
71364 Winnenden
Germany

TILTÆNKT FORMÅL

Bajonetsaven kan anvendes til træ, plast og metal. Bajonetsaven afskærer plant til overfladen, i kurver, indvendig udkæring og i rør.

Produktet må ikke anvendes på anden måde og til andre formål end foreskrevet.

ELEKTRISK BREMSE

Den elektriske bremse stopper savklingen i løbet af 2 sekunder, når man slipper kontakten. Den elektriske bremse kan dog også virke med forsinkelse. Af og til virker den elektriske bremse overhovedet ikke. Hvis den elektriske bremse hyppigt ikke virker, skal saven indsendes til et autoriseret Milwaukee serviceværksted. Først når savklingen er standset helt, må saven trækkes ud af emnet.

BATTERI

Udskiftningsbatterier, der ikke har været brugt i længere tid, efterlades inden brug.

Ved temperaturer over 50°C formindskes batteriets effekt. Undgå direkte sollys og stærk varme.

Tilslutningskontakterne på opladere og udskiftningsbatterier skal holdes rene.

For at opnå en optimal levetid skal de genopladelige batterier oplades fuldt efter brug.

For at sikre en så lang levetid som muligt skal batterierne tages ud af ladeaggregatet efter opladning.

Skal batterierne opbevares længere end 30 dage:
Temperatur ca. 27°C i tørre omgivelser.
Opbevares ved ca. 30%-50% af ladetilstanden.
Batteri skal genoplades hver 6. måned.

OVERBELASTNINGSSIKRING FOR BATTERI

Overbelastes batteriet på grund af meget højt strømforbrug, f.eks. som følge af ekstremt høje drejningsmomenter, fastklemning, pludseligt stop eller kortslutning, brummer el-værktøjet i 2 sekunder og slukker så af sig selv.

For at tænde igen slipper du trykknappen og tænder el-værktøjet på ny. Under ekstreme belastninger kan batteriet blive meget varmt. I så fald kobler batteriet fra.

TRANSPORT AF LITHIUM-BATTERIER

Lithium-batterier er omfattet af lovgivningen om transport af farligt gods.

Transporten af disse batterier skal ske under overholdelse af lokale, nationale og internationale regler og bestemmelser.

- Forbrugere må transportere disse batterier på veje uden yderligere krav.
- Den kommercielle transport af lithium-batterier ved spedititionsfirmaer er omfattet af reglerne for transport af farligt gods. Forberedelsen af forsendelse og transport må kun udføres af tilsvarende trænedede personer. Den samlede proces skal følges af fagfolk.

Følgende punkter skal overholdes ved transport af batterier:

- Sørg for at kontakterne er beskyttet og isoleret for at forhindre kortslutninger.
- Sørg for at batteripakken ikke kan bevæge sig inden for emballagen.
- Beskadigede eller lækken batterier må ikke transporteres.

Kontakt dit spedititionsfirma for at få yderligere oplysninger.

VEDLIGEHOLDELSE

Hold altid maskinens ventilationsåbninger rene.

Brug kun Milwaukee-tilbehør og Milwaukee-reservedele. Komponenter, hvor udskiftningsproceduren ikke er beskrevet, skal skiftes ud hos et Milwaukee-servicested (se brochure garanti/kundeserviceadresser).

Hvis det er nødvendigt, kan der bestilles en sprængskitse af værktøjet. Angiv herved venligst maskintypen samt det seksificerede nummer på mærkepladen og bestil tegningen hos din lokale kundeserviceafdeling eller direkte hos Technronic Industries GmbH, Max-Eyth-Straße 10, 71364 Winnenden, Tyskland.

SYMBOLER



VIGTIGT! ADVARSEL! FARE!



Ved arbejde inden i maskinen, bør batteriet tages ud.



Læs brugsanvisningen nøje før ibrugtagning.



Når der arbejdes med maskinen, skal man have beskyttelsesbriller på.



Tilbehør - Ikke inkluderet i leveringsomfanget, kab købes som tilbehør.



Elektrisk udstyr eller (genopladelige) batterier må ikke bortscaffes sammen med det almindelige husholdningsaffald. Elektrisk udstyr og genopladelige batterier skal indsamles særskilt og afleveres hos en genbrugsvirksomhed til en miljømæssig forsvarlig bortscaffelse. Spørg de lokale myndigheder eller din forhandler om genbrugsstationer og indsamlingssteder til sådant affald.



Slagantal, ubelastet



Spænding



Jævnstrøm



Europæisk konformitetsmærke



Ukrainsk konformitetsmærke



Eurasisk konformitetsmærke

TEKNISKE DATA	BATTERIDREVET SABELSAG	C 18 HZ
Produksjonsnummer.....	4526 65 03...	
.....	4467 30 03...	
.....	4313 78 03...	
.....	...000001-999999	
Spennning vekselbatteri.....	18 V	
Tomgangsslagtall.....	0-3000 min ⁻¹	
Slaghøyde.....	20 mm	
Vekt i henhold til EPTA-Prosedyren 01/2014 (1,5 Ah).....	2,2 kg	
Vekt i henhold til EPTA-Prosedyren 01/2014 (3,0 Ah).....	2,5 kg	
Anbefalt omgivelsestemperatur under arbeid.....	-18...+50 °C	
Anbefalte batterityper.....	M18B...	
Anbefalte ladere.....	M12-18C, M12-18AC, M12-18FC, M1418C6	

Støy/Vibrasjonsinformasjon

Måleverdier fastslått i samsvar med EN 62841.

Det A-bedømte lydnivået til maskinen er:

Lydtrykknivå (Usikkerhet K=3dB(A)).....	81 dB (A)
Lydeffektnivå (Usikkerhet K=3dB(A)).....	92 dB (A)

Bruk hørselsvern!

Totale svingningsverdier (vektorsum fra tre retninger) beregnet jf. EN 62841.

Svingningsemissjonsverdi a _w	
Saging av trebjelker *	7,2 m/s ²
Usikkerhet K.....	1,5 m/s ²

* med sagblad bimetal, størrelse 150 x 1,25 mm og tannavstand 5 mm

ADVARSEL

Svingningsnivået som er angitt i denne instruksjonen er målt i overensstemmelse med målemetoden normert i direktiv EN 62841 og kan brukes til å sammenligne elektromaskiner med hverandre. Den egner seg også for en foreløbig vurdering av svingningsbelastningen.

Det angitte svingningsnivået representerer de hovedsaklige bruk av elektroverktøyet. Men anvendes elektroverktøyet for andre bruk med avvikende utskiftbare verktøy eller vedlikeholdet er utilstrekkelig, kan svingningsnivået være avvikende.

Dette kan forhøye svingningsbelastning betydelig over hele arbeidsperioden. For en nøyaktig vurdering av svingningsbelastningen må også det tas hensyn til tiden apparatet er avslått eller står på, men ikke er i bruk. Dette kan redusere svingningsbelastningen betydelig over hele arbeidsperioden.

Innfør også ekstra sikkerhetstiltak for å beskytte bruker mot utvirkningen av svingningene. Disse kan f.eks. være: vedlikehold av elektroverktøyet og det utskiftbare verktøyet, holde hendene varme, organisasjon av arbeidsforløpet.

⚠ ADVARSEL! Les gjennom alle sikkerhets advarsler, anvisninger, illustrasjoner og spesifikasjoner for dette elektroverktøyet. Feil ved overholdelsen av advarslene og nedenstående anvisninger kan medføre elektriske støt, brann og/eller alvorlige skader.

⚠ SIKKERHETS INSTRUKSER FOR SABELSAGER

Hold apparatet i de isolerte holdeflatene, når det arbeides på steder hvor elektroverktøyet kan treffe skjulte strømløpninger. Kontakt med en spenningsførende ledning setter også maskinens metalldele under spenning og fører til elektriske støt.

Bruk en skruestikke eller andre praktiske hjelpemidler for å feste arbeidestykket på et stabilt underlag. Å holde arbeidestykke med hånden eller trykke det kroppen, gjør det ustabil og det kan føre til at man mister kontrollen over arbeidestykket.

YTERLIGE SIKKERHETS- OG ARBEIDSinSTRUKSJONER

Bruk vernebekledning. Ta alltid på vernebrille ved bruk av maskinen. Vernebekledning så vel som støvmaske, vernehansker, fast og sklissikkert skotøy, hjem og hørselsvern er anbefalt.

Støvet som oppstår ved arbeidet er ofte helsefarlig og skal ikke komme i kontakt med kroppen. Bruk derfor vernemaske som er egnet for støv.

Materialer som er helsefarlig skal ikke bearbeides (f.eks.. asbest)

Slå av apparatet med en gang dersom det isatte verktøyet er blokkert! Ikke slå apparatet på igjen så lenge det isatte verktøyet er blokkert; her kan det oppstå et tilbakeslag med høyt reaksjonsmoment. Finn ut hvorfor det isatte verktøyet blokkerer og fjern årsaken til dette. Ta herved hensyn til sikkerhets instruksene.

Mulige årsaker til dette kan være:

- det har forkantet seg i arbeidsemnet som bearbeides
- det har brekt gjennom materialet som bearbeides
- elektroverktøyet er overbelastet

Ikke grip inn i maskinen når den står på og går.

Isatt verktøy kan i bruk bli veldig varmt.

ADVARSEL! Fare for forbrenning

- ved skifting av verktøy
- når apparatet legges ned

Spon eller fliser må ikke fjernes mens maskinen er i gang.

Pass på kabler, gass- og vannledninger når du arbeider i vegger, tak eller gulv.

Klem fast arbeidsemnet med en spenninnetring. Ikke sikre arbeidsemner kan ha alvorlige helseskader og skader av material til følge.

Sagblad som har sprekker eller som har endret form må ikke brukes!

Dykkisaging er kun mulig i bløtere materialer (treverk, lettere byggematerialer for vegger), for hardere materialer (metaller) må det brukes et sagblad med tilsvarende stor boring.

Ta ut vekselbatteriet før du arbeider på maskinen

Ikke kast brukte vekselbatterier i varmen eller husholdningsavfallet. Milwaukee tilbyr en miljøriktig deponering av gamle vekselbatterier; vennligst spør din fagforhandler.

Ikke oppbevar vekselbatterier sammen med metallgjenstander (kortslutningsfare).

Metalldelel som ikke komme inn i innskyvningssjakten for vekselbatterier på ladere (kortslutningsfare).

Vekselbatterier av systemet 18 V skal kun lades med lader av systemet 18 V. Ikke lad opp batterier fra andre systemer.

Ikke åpne vekselbatterier og ladere, de skal oppbevares i tørre rom. Beskyttes mot fuktighet.

Under ekstreme belastninger og ekstreme temperaturer kan det lekke ut batterivæske fra utskiftbare batterier. Ved berøring med batterivæske, vask umiddelbart med såpe og vann. Ved kontakt med øynene må øynene skylles grundig i rennende vann i minst 10 minutter. Oppsøk lege umiddelbart.

Advarsel! For å unngå fare for en brann forårsaket av en kortslutning, av personskader eller skader av produktet, må det forhindres at batteripakken eller laderen dypes i væsker og også sørges for at ingen væsker kan komme inn i apparatene eller batteriene. Korroderende og ledende væsker som saltvann, visse kjemikalier og blekemidler eller produkt som inneholder blekemidler kan forårsake en kortslutning.

CE-SAMSVARSERKLÆRING

Vi erklærer i alene ansvar at produktet beskrevet i "Tekniske data" overensstemmer med alle relevante forskrifter til Eu direktiv 2011/65/EU (RoHS), 2014/30/EU, 2006/42/EF og de følgende harmoniserte normative dokumentene.

EN 62841-1:2015
EN 62841-2-11:2016
EN 55014-1:2017
EN 55014-2:2015
EN IEC 63000:2018

Winnenden, 2019-02-13

Alexander Krug

Alexander Krug
Managing Director



Autorisert til å utarbeide den tekniske dokumentasjonen

Techtronic Industries GmbH
Max-Eyth-Straße 10
71364 Winnenden
Germany

FORMÅLSMESSIG BRUK

Bajonettsgagen sager treverk, plast og metall. Den skjærer rett, kurver og innvendige utsnitt. Den skjærer rør og skiller i flukt med flater.

Dette apparatet må kun brukes til de oppgitte formål.

ELEKTRISK BREMSE

Ved å slippe trykkbryteren blir sagbladet stoppet innen 2 sekund av en elektrisk brems. Det kan dog skje at den elektriske bremsen reagerer forsinket. Av og til hender det at den elektriske bremsen ikke virker. Skulle det skje at den elektriske bremsen ofte ikke virker, må saken bringes til et autorisert Milwaukee serviced.

Trekk sagen ut av arbeidsstykke etter at saken står stille.

BATTERIER

Vekselbatterier som ikke er brukt over lengre tid skal etterlades før bruk.

En temperatur over 50°C reduserer vekselbatteriets kapasitet. Unngå oppvarming i sol eller ved varmeovner (fyring) i lengre tid.

Hold tilkopplingskontaktene på lader og vekselbatteri rene.

For en optimal levetid må batteriene etter bruk ladet helt opp.

For å sikre en lengst mulig bruketid av batteriene skal disse etter oppladning taes ut av laderen.

Ved lagring av batteriene lengre enn 30 dager:

Lagre batteriet tørt ved ca. 27°C.

Lagre batteriet ved en oppladningstilstand på ca. 30%-50%.

Lade opp batteriet igjen etter 6 måneder.

OVERBELASTNINGSVERN FOR OPPLADBARE BATTERIER

Ved overbelastning av det oppladbare batteriet p.g.a. svært høyt strømforbruk, for eksempel ved ekstrem høye dreiemoment, fastklemming, plusselig stopp eller kortslutning, brummer elektroverktøyet 2 sekunder og slår seg så automatisk av.

For å slå det på igjen, må man slippe trykkbryteren og så slå på igjen.

Ved ekstreme belastninger kan det oppladbare batteriet bli sterkt opphetet. I slike tilfeller kobler batteriet seg ut.

TRANSPORT AV LITUM-ION-BATTERI

Litium-ion-batterier faller under de lovfestede forskriftene om transport av farlig gods.

Transporten av disse batteriene må rette seg etter lokale, nasjonale og internasjonale forskrifter og bestemmelser.

- Forbruker har lov å transportere disse batteriene på gaten uten reglementering.
- Den kommersielle transport av Litium-ion-batterier av spedisjonsfirma faller under bestemmelsene om transport av farlig gods. Forberedningene av forsendelsen og transport skal utelukkende gjennomføres av personer som har blitt skolert til dette. Hele prosessen skal følges opp av fagfolk.

Følgende punkter skal tas hensyn til ved transport:

- Kontroller at kontaktene er beskyttet og isolert for å unngå kortslutninger.
- Pass på at batteripakken i forpakningen ikke kan skli fram og tilbake.
- Skadede eller batterier som lekker er det ikke lov å transportere.

Ta kontakt med spedisjonsfirma for ytterlige henvisninger.

VEDLIKEHOLD

Hold alltid luftenåpningene på maskinen rene.

Bruk kun Milwaukee tilbehør og Milwaukee reservedeler. Komponenter der utskiftning ikke er beskrevet skal skiftes ut hos Milwaukee kundeservice (se brosjyre garanti/kundeserviceadresser).

Ved behov kan det fås en eksplosjonstegning av apparatet hos kundeservice eller direkte hos Techtronic Industries GmbH, Max-Eyth-Straße 10, 71364 Winnenden, Germany ved angivelse av maskinens type og det sekstallige nummeret på maskinens skilt.

SYMBOLER



OB! ADVARSEL! FARE!



Ta ut vekselbatteriet før du arbeider på maskinen



Les nøye gjennom bruksanvisningen før maskinen tas i bruk.



Bruk alltid vernebrille når du arbeider med maskinen.



Tilbehør - inngår ikke i leveransen, anbefalt komplettering fra tilbehørsprogrammet.



Elektriske apparater, batterier/oppladbare batterier skal ikke kastes sammen med vanlig husholdningsavfall.

Elektriske og elektroniske apparater og oppladbare batterier skal samles separat og leveres til miljøvennlig deponering hos en avfallsbedrift. Informer deg hos myndighetene på stedet eller hos din fagforhandler hvor det finnes recycling bedrifter og oppsamlingssteder.



Tomgangsslagtall



Volt



Likestrøm

Europeisk samsvarsmerke



Ukrainsk samsvarsmerke



Euroasiatisk samsvarsmerke

TEKNISKA DATA	BATTERIDRIVEN TIGERSÅG	C 18 HZ
Produktionsnummer	4526 65 03...	
.....	4467 30 03...	
.....	4313 78 03...	
.....	...000001-999999	
Batterispänning.....	18 V	
Tomgångslagtal.....	0-3000 min ⁻¹	
Slaglängd.....	20 mm	
Vikt enligt EPTA 01/2014 (1,5 Ah).....	2,2 kg	
Vikt enligt EPTA 01/2014 (3,0 Ah).....	2,5 kg	
Rekommenderad omgivningstemperatur vid arbete.....	-18...+50 °C	
Rekommenderade batterityper.....	M18B...	
Rekommenderade laddare.....	M12-18C, M12-18AC, M12-18FC, M1418C6	

Buller-/vibrationsinformation

Mätvärdena har tagits fram baserade på EN 62841.

A-värdet av maskinens ljudtrycksnivå är

Ljudtrycksnivå (Onoggrannhet K=3dB(A)).....	81 dB (A)
Ljudeffektsnivå (Onoggrannhet K=3dB(A)).....	92 dB (A)

Använd hörselskydd!

Totala vibrationsvärden (vektorsumma ur tre riktningar) framtaget enligt EN 62841.

Vibrationsemissionsvärde a_w

Såga träbjälkar *	7,2 m/s ²
Onoggrannhet K	1,5 m/s ²

* med sågblad bimetal, storlek 150 x 1,25 mm och tanddelning 5 mm

VARNING

Den i de här anvisningarna angivna vibrationsnivån har uppmätts enligt ett i EN 62841 normerat mätförfarande och kan användas vid jämförelse mellan olika elverktyg. Nivån är även lämplig att använda vid en preliminär bedömning av vibrationsbelastningen.

Den angivna vibrationsnivån representerar den huvudsakliga användningen av det aktuella elverktyget. Men om elverktyget ska användas i andra användningsområden, tillsammans med avvikande insatsverktyg eller efter otillräckligt underhåll, kan vibrationsnivån skilja sig. Det kan öka vibrationsbelastningen betydligt under hela arbetstiden.

För att få en exaktare bedömning av vibrationsbelastningen ska även den tid beaktas, under vilken elverktyget är avstängt eller är påslaget, utan att det verkligen används. Det kan reducera vibrationsbelastningen betydligt under hela arbetstiden.

Lägg som skydd för användaren fast extra säkerhetsåtgärder mot vibrationernas verkan, som till exempel: underhåll av elverktyg och insatsverktyg, varmhållning av händer och organisering av arbetsförlopp.

⚠ VARNING! Läs noga igenom alla säkerhetsanvisningar, illustrationer och specifikationer som medföljer detta elverktyg. Fel som uppstår till följd av att anvisningarna nedan inte följs kan orsaka elstöt, brand och/eller allvarliga kroppsskador.

⚠ SÄKERHETSANVISNINGAR FÖR TIGERSÅGAR

Håll fast apparaten med hjälp av de isolerade greppytorna när du utför arbeten där arbetsverktyget skulle kunna träffa på dolda elledningar. Om sägen kommer i kontakt med en spänningsförande ledning sätts sågens metalldelar under spänning som sedan kan leda till elektriskt slag.

Använd ett eller flera skruvstöd eller ett annat praktiskt hjälpmedel för att fästa arbetsstycket på ett stabilt underlag. Om du försöker hålla fast arbetsstycket med handen eller trycker emot med kroppen finns risk att arbetsstycket flyttar sig och att du förlorar kontrollen.

ÖVRIGA SÄKERHETS- OCH ANVÄNDNINGSPÅBUD

Använd skyddsutrustning. Använd alltid skyddsglasögon när du använder maskinen. Som skyddsutrustning rekommenderar vi t.ex. en dammskyddsmask, skyddshandskar, stabila och halksäkra skor, hjälm och hörselskydd.

Det damm som bildas under arbetets gång är ofta hälsofarligt och det ska inte komma in i kroppen. Bär därför lämplig skyddsmask.

Det är inte tillåtet att bearbeta material som kan vara hälsovärdigt (t.ex. asbest).

Stäng av maskinen omedelbart om ett verktyg som används sitter fast! Sätt sedan inte på maskinen igen så länge som verktyget som används fortfarande sitter fast; risk för okontrollerade slag med högt reaktionsmoment. Ta reda på orsaken varför verktyget fastnade och åtgärda orsaken med hänsyn till säkerhetsanvisningarna.

Möjliga orsaker kan vara:

- Verktyget sitter snett i arbetsstycket
- Verktyget går igenom materialet som bearbetas
- Elverktyget är överbelastat

Gå aldrig med händerna in i en maskin som är igång.

Verktyget som används kan bli mycket varmt under användningen.

VARNING! Risk för brännskador

- vid verktygsbyte

- när man lägger ifrån sig maskinen

Avlägsna aldrig spån eller flisor när maskinen är igång.

Vid arbetenborring i vägg, tak eller golv, var alltid observant på befintliga el-, gas- eller vattenledningar.

Säkra arbetsstycket med en fastspänningsanordning. Arbetsstycket som inte är ordentligt fastspända kan leda till allvarlig kroppsskada eller annan skada.

Spruckna sågklingor eller sådana som förändrat form får ej användas!

Är endast möjlig i mjuka material (trä m.m.) vid hårdare material (metall) rekommenderas förborring.

Drag ur batteripaket innan arbete utföres på maskinen.

Kasta inte förbrukade batterier. Lämna dem till Milwaukee Tools för återvinning.

Förvara ej batteriet ihop med metallföremål, kortslutning kan uppstå.

Se upp så att inga metallföremål hamnar i laddarens batterischakt, kortslutning kan uppstå.

System 18 V batterier laddas endast i System 18 V laddare. Ladda inte batterier från andra system.

Batterier lagras torrt och skyddas för fukt.

Under extrem belastning eller extrem temperatur kan batterivätska tränga ut ur skadade utbytesbatterier. Vid beröring med batterivätska tvätta genast av med vatten och tvål. Vid ögonkontakt spola genast i minst 10 minuter och kontakta genast läkare.

Varning! För att undvika den fara för brand, personskador eller produktskador som orsakas av en kortslutning, doppa inte ner verktyget, utbytesbatteriet eller laddaren i vätskor och se till att ingen vätska kan tränga in i apparaterna eller batterierna. Korroderande eller ledande vätskor, som saltvatten, vissa kemikalier, blekningsmedel eller produkter som innehåller blekmedel, kan orsaka en kortslutning.

CE-FÖRSÄKRAN

Vi intygar och ansvarar för att den produkt som beskrivs under "Tekniska data" överensstämmer med alla relevanta bestämmelser i direktiv 2011/65/EU (RoHS), 2014/30/EU, 2006/42/EG och följande harmoniserade normerande dokument:

EN 62841-1:2015
EN 62841-2-11:2016
EN 55014-1:2017
EN 55014-2:2015
EN IEC 63000:2018

Winnenden, 2019-02-13

Alexander Krug

Alexander Krug
Managing Director



Befullmäktigad att sammanställa teknisk dokumentation.

Techtronic Industries GmbH
Max-Eyth-Straße 10
71364 Winnenden
Germany

ANVÄND MASKINEN ENLIGT ANVISNINGARNA

Sabelsåg sågar trä, plast och metall. Den skär rakt, sågar kurvor och kapa plant.

Maskinen får endast användas för angiven tillämpning.

ELEKTRISK BROMS

När du släpper brytarknappen stannar sågbladet inom ca 2 sekunder tack vare den elektriska bromsen. Det kan emellertid inte uteslutas att bromsen slår till något fördröjt. Och det kan också hända att den elektriska bromsen inte verkar alls. Om den elektriska bromsen oftare inte skulle fungera ska du lämna eller skicka in din såg till en auktoriserad Milwaukee serviceverkstad.

Dra först ut sägen ur arbetsstycket när sågbladet har stannat helt.

BATTERIER

Batteri som ej använts på länge måste laddas före nytt bruk.

En temperatur över 50°C reducerar batteriets effekt. Undvik längre uppvärmning tex i solen eller nära ett element.

Se till att anslutningskontaktarna i laddaren och på batteriet är rena.

För en optimal livslängd ska batterierna laddas helt igen efter användningen.

För att få en så lång livslängs som möjligt bör laddningsbara batterier avlägsnas från laddaren när de är laddade.

Om laddningsbara batterier lagras längre än 30 dagar:

Lagra batteriet torrt och vid ca 27°C.

Lagra batteriet vid ca 30%-50% av laddningskapaciteten.

Ladda batterierna på nytt var 6:e månad.

BATTERI-ÖVERBELASTNINGSSKYDD

Om det uppladdningsbara batteriet överbelastas på grund av mycket hög strömförbrukning, till exempel vid extremt höga vridmoment, fastklämning, plötsligt stopp eller kortslutning, brummar elverktyget i 2 sekunder och stängs sedan av automatiskt. Släpp därefter först upp tryckknappen och slå sedan på elverktyget igen, om du vill fortsätta bearbetningen. Vid extrem belastning kan batteriet bli väldigt varmt. I ett sådant fall stängs batteriet av automatiskt.

TRANSPORTERA LITIJUMJON-BATTERIER

För litiumjon-batterier gäller de lagliga föreskrifterna för transport av farligt gods på väg.

Därför får dessa batterier endast transporteras enligt gällande lokala, nationella och internationella föreskrifter och bestämmelser.

- Konsumenter får transportera dessa batterier på allmän väg utan att behöva beakta särskilda föreskrifter.
- För kommersiell transport av litiumjon-batterier genom en speditorsfirma gäller emellertid bestämmelserna för transport av farligt gods på väg. Endast personal som känner till alla tillämpliga föreskrifter och bestämmelser får förbereda och genomföra transporten. Hela processen ska följas upp på fackmässigt sätt.

Följande ska beaktas i samband med transporten av batterier:

- Säkerställ att alla kontakter är skyddade och isolerade för att undvika kortslutning.

- Se till att batteripacken inte kan glida fram och tillbaka i förpackningen.
- Transportera aldrig batterier som läcker, har runnit ut eller är skadade.

För mer information vänligen kontakta din speditorsfirma.

SKÖTSEL

Se till att motorhöljets luftslitsar är rena.

Använd endast Milwaukee-tillbehör och Milwaukee-reservdelar. Komponenter, för vilka inget byte beskrivs, skall bytas ut hos Milwaukee-kundtjänst (se broschyren garanti-/kundtjänstadresser).

Vid behov kan du rekvidrera apparatens sprängskiss antingen hos kundservicen eller direkt hos Techtronic Industries GmbH, Max-Eyth-Straße 10, 71364 Winnenden, Germany. Du ska då ange maskintypen och numret på sex siffror som står på effektskytlen.

SYMBOLER

	OBSERVERA! VARNING! FARA!
	Drag ur batteripaket innan arbete utföres på maskinen.
	Läs instruktionen noga innan du startar maskinen.
	Använd alltid skyddsglasögon.
	Tillbehör - Ingår ej i leveransomfånget, erhålles som tillbehör.
	Elektriska maskiner, batterier/uppladdningsbara batterier och får inte slängas tillsammans med de vanliga hushållssoporna. Elektriska maskiner och uppladdningsbara batterier ka samlas separat och lämnas till en avfallsstation för miljövänlig avfallshantering. Kontakta den lokala myndigheten respektive kommunen eller fråga återförsäljare var det finns speciella avfallsstationer för elskrot.
n_h	Tomgångslagtal
V	Spänning
	Likström
	Europeiskt konformitetsmärke
	Ukrainskt konformitetsmärke
001	
	Euroasiatiskt konformitetsmärke

TEKNISET ARVOT	AKKUPUUKKOSAHA	C 18 HZ
Tuotantnumero	4526 65 03 ...	
.....	4467 30 03	
.....	4313 78 03	
.....	...000001-999999	
Jännite vaihtoakku.....	18 V	
Kuormittamaton iskuluku	0-3000 min ⁻¹	
Iskun pituus	20 mm	
Paino EPTA-menetellyn 01/2014 mukaan (1,5 Ah).....	2,2 kg	
Paino EPTA-menetellyn 01/2014 mukaan (3,0 Ah).....	2,5 kg	
Suositeltu ympäristön lämpötila työn aikana	-18...+50 °C	
Suosittelut akkutyypit	M18B	
Suosittelut latauslaitteet.....	M12-18C, M12-18AC, M12-18FC, M1418C6	

Melunpäästö-/tärinätiedot

Mitta-arvot määritetty EN 62841 mukaan.

Yleensä työkalun A-luokan melutaso

Melutaso (Epävarmuus K=3dB(A)).....81 dB (A)

Äänenvoimakkuus (Epävarmuus K=3dB(A)).....92 dB (A)

Käytä kuulosuojaimia!

Värähtelyn yhteisarvot (kolmen suunnan vektorisumma) mitattuna EN 62841 mukaan.

Värähtelyemissioarvo a

Puupalkkien sahaaminen *

Epävarmuus K.....

* bimetal-sahanterällä, koko 150 x 1,25 mm ja hammastus 5 mm

VAROITUS

Näissä ohjeissa mainittu värähtelytaso on mitattu EN 62841 -standardin mukaisella mittausmenetelmällä ja sitä voidaan käyttää sähkötyökalujen vertaamiseen. Sitä voidaan käyttää myös värähtelyrasituksen väliaikaiseen arviointiin.

Mainittu värähtelytaso edustaa sähkötyökalun pääasiallista käyttöä. Jos sähkötyökalua kuitenkin käytetään muihin tehtäviin, poikkeavin työkaluin tai riittämättömästi huoltaen, värähtelytaso voi olla erilainen. Se voi korottaa värähtelyrasitusta koko työajan osalta.

Tarkan värähtelyrasituksen toteamiseen tulee ottaa huomioon aika, jona laite on kytketty pois tai on kylkin päällä, mutta ei käytössä. Se voi pienentää värähtelyrasitusta koko työajan osalta.

Määrittele lisäturvatoimenpiteitä käyttäjän suojaamiseksi värinöiden vaikutuksesta, kuten esimerkiksi: sähkötyökalujen ja käyttötyökalujen huolto, käsien lämpimän pitäminen, työvälineiden organisaatio.

VAROITUS Lue kaikki turvallisuusmääräykset, ohjeet, kuvitukset ja erittelyt, jotka toimitetaan tämän sähkötyökalun mukana. Jäljempänä annettujen ohjeiden noudattamisen laiminlyönti saattaa johtaa sähköiskuun, tulipaloon ja/tai vakavaan loukkaantumiseen.

PUUKKOSAHOJEN TURVALLISUUSMÄÄRÄYKSET

Pitele laitetta vain eristetyistä tarttumapinnoista, kun suoritat sellaisia töitä, joissa leikkaustyökalu saattaa osua piiloissa oleviin sähköjohtoihin. Kosketus jännitteeseen johtoon saattaa myös koneen metalliosat jännitteiseksi ja johtaa sähköiskuun.

Käytä ruuvipuristimia tai muita käytännöllisiä apuvälineitä kiinnittämään työstettävä kappale tukevalle alustalle. Vain kädessä pidetty tai vartalolla vastaan painaen tuettu työstökappale saattaa luiskahtaa pois ja tästä voi seurata laitteen hallinnan menettäminen.

TÄYDENTÄVIÄ TURVALLISUUSMÄÄRÄYKSIÄ JA TYÖSKENTELYOHJEITA

Käytä suojarusteita. Käytä aina suojalaseja käyttäessäsi konetta.

Suosittelomme suojarusteiden käyttöä, näihin kuuluvat pölysuojanaamarit, työkasineet, tukevat, luistamattomat jalkineet, kypärä ja kuulosuojukset.

Koneen käytöstä aiheutuva pöly ja jäte voi olla haitallista terveydelle eikä sen vuoksi tulisi päästä kosketukseen ihon kanssa. Koneella työskennellessä on käytettävä sopivaa suojainta.

Terveydellisiä vaaroja aiheuttavien materiaalien (esim. asbestin) työstäminen on kielletty.

Jos käytetty työkalu juuttuu kiinni, sammuta laite heti! Älä kytkä laitetta uudelleen päälle työkalun ollessa vielä kiinni juuttuneena, koska tästä saattaa aiheutua voimakas takaisku. Selvitä työkalun juuttumisen syy ja poista syy turvallisuusmääräyksiä noudattaen.

Mahdollisia syitä voivat olla:

- työkalun vinoutuminen työstökappaleessa
- työstetyn materiaalin puhkaiseminen
- sähkötyökalun ylikuormitus

Älä tartu käynnissä olevan koneen työosiin.

Käytetty työkalu saattaa kuumeta käytön aikana.

VAROITUS! Palovamman vaara

- työkalua vaihdettaessa

- laitetta pois laskettaessa

Lastuja tai puruja ei saa poistaa koneen käydessä.

Varo seinään, kattoon tai lattiaan porattaessa osumasta sähköjohtoon, kaasu- ja vesijohtoihin.

Varmista työstökappaleesi kiinnityslaitteella paikalleen. Varmistamattomat työstökappaleet saattavat aiheuttaa vakavia vammoja ja vaurioita.

Rikkinäisiä sahanteriä tai sellaisia, jotka ovat muuttaneet muotoaan ei saa käyttää!

Uputussahaus on mahdollista vain pehmeämpiin materiaaleihin (puu, kevytrakenteiset seinät), kovin materiaaleihin (metallit) on ensin tehtävä sahanterän suuruinen porausaukko.

Ota akku pois ennen kaikkia koneeseen tehtäviä toimenpiteitä.

Käytettyjä vaihtoakkuja ei saa polttaa eikä poistaa normaalin jätehuollon kautta, Milwaukeella on tarjolla vanhoja vaihtoakkuja varten ympäristöstävällinen jätehuoltopalvelu.

Vaihtoakkuja ei saa säilyttää yhdessä metalliesineiden kanssa (oikosulkuvaara).

On varottava, ettei latauslaitteiden vaihtoakkulatauskoloon joudu metalliesineitä (oikosulkuvaara).

Käytä ainoastaan System 18 V latauslaitetta System 18 V akkujen lataukseen. Älä käytä muiden järjestelmien akkuja.

Vaihtoakkuja ja latauslaitteita ei saa avata. Säilytys vain kuivissa tiloissa. Suojattava kosteudelta.

Vaurioituneesta akusta saattaa erityisen kovassa käytössä tai poikkeavassa lämpötilassa vuotaa akkuhappoa. Ihonkohta, joka on joutunut kosketukseen akkuhapon kanssa on viipymättä pestävä vedellä ja saippualla. Silmät, johon on joutunut akkuhappoa, on huuhdeltava vedellä vähintään 10 minuutin ajan, jonka jälkeen on viipymättä hakeuduttava lääkärin apuun.

Varoitus! Jotta vältetään lyhytsulun aiheuttama tulipalon, loukkaantumisen tai tuotteen vahingoittumisen vaara, älä koskaan upota työkalua, vaihtoakkuja tai latauslaitetta nesteeseen ja huolehdi siitä, ettei mitään nesteitä pääse tunkeutumaan laitteiden tai akkujen sisään. Syövyttävät tai sähköä johtavat nesteet, kuten suolavesi, tietyt kemikaalit ja lalkaisuaineet tai valkaisuaineita sisältävät tuotteet voivat aiheuttaa lyhytsulun.

TODISTUS CE-STANDARDINMUKAISUUDESTA

Vakuutamme yksinvastuullisesti, että kohdassa "Tekniset tiedot" kuvattu tuote vastaa kaikkia sitä koskevia direktiivien 2011/65/EU (RoHS), 2014/30/EU, 2006/42/EY määräyksiä sekä seuraavia harmonisoituja standardisoivia asiakirjoja:

EN 62841-1:2015

EN 62841-2-11:2016

EN 55014-1:2017

EN 55014-2:2015

EN IEC 63000:2018

Winnenden, 2019-02-13



Alexander Krug
Managing Director



Valtuutettu kokoamaan tekniset dokumentit.

Techtronic Industries GmbH
Max-Eyth-Straße 10
71364 Winnenden
Germany

TARKOITUKSENMUKAINEN KÄYTTÖ

Puukkosaha pystyy puuhun, muovin ja metalliin. Sillä voidaan sahata suoria, viistoja ja käyriä leikkauksia sekä reikiä.

Älä käytä tuotetta ohjeiden vastaisesti.

SÄHKÖJARRU

Sähköjarru pysäyttää sahanterän n. 2 sekunnin sisällä, kun kytkinpainikkeesta on päästetty irti. Sähköjarru voi vaikuttaa myös viiveellä. Joskus jarru ei toimi. Jos sähköjarru ei toimi usein, saha on vietävä valtuutettuun Milwaukee-korjaamoon. Vedä saha sahattavasta kappaleesta vasta sahanterän pysähtyttyä.

AKKU

Pitkään käyttämättä olleet vaihtoakut on ladattava ennen käyttöä.

Yli 50°C lämpötilassa akun suorituskyky heikkenee. Vältäthän akkujen säilyttämistä auringossa tai kuumissa tiloissa.

Pidä aina latauslaitteen ja akun kosketinpinnat puhtaina.

Akut on ladattava täyteen käytön jälkeen optimaalisen eliniän säilyttämiseksi.

Mahdollisimman pitkän elinajan takaamiseksi akut tulee poistaa laturista lataamisen jälkeen.

Akkuja yli 30 päivää säilytettäessä:

Säilytä akku yli 27 °C:ssa ja kuivassa.

Säilytä akku sen latauksen ollessa 30 % - 50 %.

Lataa akku 6 kuukauden välein uudelleen.

AKUN YLIKUORMITUSUOJAUS

Jos akku ylikuormittuu erittäin suuren virrankulutuksen vuoksi, esim. erittäin suurten vääntömomenttien, kiinnijoutumisen, äkillisen pysähtymisen tai lyhytsulun vuoksi, niin sähkötyökalu surisee 2 sekunnin ajan ja sammuu sitten omatoimisesti.

Käynnistä laite uudelleen päästämällä katkaisinpainike irti ja kytkemällä se sitten uudelleen.

Erittään suuressa kuormituksessa saattaa akku kuumeta liikaa. Tässä tapauksessa akku kytketty pois.

LITIUMI-IONIAKKUJEN KULJETTAMINEN

Litiumi-ioniakut kuuluvat vaarallisten aineiden kuljetuksesta annettujen lakien piiriin.

Näiden akkujen kuljettaminen täytyy suorittaa noudattaen paikallisia, kansallisia ja kansainvälisiä määräyksiä ja säädöksiä.

- Kuluttajat saavat ilman muuta kuljettaa näitä akkuja teitä pitkin.
- Kaupallisessa kuljetuksessa huolintaliikkeiden täytyy kuljettaa litiumi-ioniakkuja vaarallisten aineiden kuljetuksesta annettujen määräysten mukaisesti. Ainoastaan tähän vastaavasti koulutetut henkilöt saavat suorittaa kuljetuksen valmistelutoimet ja itse kuljetuksen. Koko prosessia tulee valvoa asiantuntevasti.

Seuraavat kohdat tulee huomioida akkuja kuljetettaessa:

- Varmista, että akkujen kontaktit on suojattu ja eristetty, jotta vältetään lyhytsulut.
- Huolehdi siitä, ettei akkusarja voi luiskahtaa paikallaan pakkauksen sisällä.
- Vahingoittuneita tai vuotavia akkuja ei saa kuljettaa.

Pyydä tarkemmat tiedot huolintaliikkeeltäsi.













HUOLTO

Pidä moottorin ilmanottoaukot puhtaina.

Käytä ainoastaan Milwaukee lisätarvikkeita ja Milwaukee varaosia. Mikäli jokin komponentti, jota ei ole kuvailtu, tarvitsee vaihtoa ota yhteys johonkin Milwaukee palvelupisteistä (kts. listamme takuuhoitoliikkeiden/ palvelupisteiden osoitteista)

Tarvittaessa voit pyytää laitteen räjähdyspiirustuksen ilmoittaen koneen tyyppiä ja tyyppikivessä olevan kuusinumeroisen luvun huoltopalvelustasi tai suoraan osoitteella Techtronic Industries GmbH, Max-Eyth-Strasse 10, 71364 Winnenden, Saksa.

SYMBOLIT

	HUOMIO! VAROITUS! VAARA!
	Ota akku pois ennen kaikkia koneeseen tehtäviä toimenpiteitä.
	Lue käyttöohjeet huolellisesti, ennen koneen käynnistämistä.
	Käytä laitteella työskennellessäsi aina suojalaseja.
	Lisälaitte - Ei sisälly vakiovarustukseen, saatavana lisätarvikkeena.
	Sähkölaitteita, paristoja/akkuja ei saa hävittää yhdessä kotitalousjätteiden kanssa. Sähkölaitteet ja akut tulee kerätä erikseen ja toimittaa kierrätysliikkeeseen ympäristöstävällistä hävittämistä varten. Pyydä paikallisilta viranomaisilta tai alan kauppiailta tarkemmat tiedot kierrätyspisteistä ja keräyspaikoista.
	Kuormittamaton iskuluku
	Jännite
	Tasavirta
	Euroopan säännönmukaisuusmerkki
	Ukrainan säännönmukaisuusmerkki
	Euraasian säännönmukaisuusmerkki

ΤΕΧΝΙΚΑ ΣΤΟΙΧΕΙΑ	ΣΠΑΘΟΣΕΓΑ ΜΠΑΤΑΡΙΑΣ	C 18 HZ
Αριθμός παραγωγής.....	4526 65 03 ...
.....	4467 30 03 ...
.....	4313 78 03 ...
.....00001-999999
Τάση ανταλλακτικής μπαταρίας.....	18 V
Αριθμός παλινδρομήσεων χωρίς φορτίο.....	0-3000 min ⁻¹
Ύψος διαδρομής.....	20 mm
Βάρος σύμφωνα με τη διαδικασία EPTA 01/2014 (1,5 Ah).....	2,2 kg
Βάρος σύμφωνα με τη διαδικασία EPTA 01/2014 (3,0 Ah).....	2,5 kg
Συνιστώμενη θερμοκρασία περιβάλλοντος κατά την εργασία.....	-18...+50 °C
Συνιστώμενοι τύποι συσσωρευτών.....	M18B...
Συνιστώμενες συσκευές φόρτισης.....	M12-18C, M12-18AC, M12-18FC, M1418C6

Πληροφορίες θορύβου/δονήσεων

Τιμές μέτρησης εξακριβωμένες κατά EN 62841.

Τυπική A αξιολογημένη στάθμη θορύβου:

Στάθμη ηχητικής πίεσης (Ανασφάλεια K=3dB(A))..... 81 dB (A)

Στάθμη ηχητικής ισχύος (Ανασφάλεια K=3dB(A))..... 92 dB (A)

Φοράτε προστασία ακοής (ωτασπίδες)!

Υλικές τιμές κραδασμών (άθροισμα διανυσμάτων τριών διευθύνσεων)

εξακριβώθηκαν σύμφωνα με τα πρότυπα EN 62841.

Τιμή εκπομπής δονήσεων a_h

Κοπτή ξύλινων δοκών *..... 7,2 m/s²

Ανασφάλεια K..... 1,5 m/s²

* με πριονοπέδιδα bimetal διαστάσεων 150 x 1,25 χιλ. και βήματος οδόντωσης 5 χιλ.

ΠΡΟΕΙΔΟΠΟΙΗΣΗ

Το αναφερόμενο σ' αυτές τις οδηγίες επίπεδο δονήσεων έχει μετρηθεί με μια τυποποιημένη σύμφωνα με το EN 62841 μέθοδο μέτρησης και μπορεί να χρησιμοποιηθεί για τη σύγκριση των ηλεκτρικών εργαλείων μεταξύ τους. Αυτό είναι επίσης κατάλληλο για μια προσωρινή εκτίμηση της επιβάρυνση των δονήσεων.

Το αναφερόμενο επίπεδο δονήσεων αντιπροσωπεύει τις κύριες χρήσεις του ηλεκτρικού εργαλείου. Εάν όμως το ηλεκτρικό χρησιμοποιείται σε άλλες χρήσεις, με διαφορετικά εργαλεία εφαρμογής ή ανεπαρκή συντήρηση, μπορεί να υπάρξει απόκλιση του επιπέδου δονήσεων. Αυτό μπορεί να αυξήσει σημαντικά την επιβάρυνση των δονήσεων για τη συνολική διάρκεια της εργασίας.

Για μια ακριβή εκτίμηση της επιβάρυνσης των δονήσεων οφείλουν επίσης να λαμβάνονται υπόψη οι χρόνοι, στους οποίους η συσκευή είναι απενεργοποιημένη ή είναι μεν ενεργοποιημένη αλλά δεν χρησιμοποιείται πραγματικά. Αυτό μπορεί να μειώσει σημαντικά την επιβάρυνση των δονήσεων της εργασίας.

Καθαρίζετε πρόσθετα μέτρα ασφαλείας για την προστασία του χειριστή από την επίδραση των δονήσεων όπως για παράδειγμα: Συντήρηση του ηλεκτρικού εργαλείου και των εργαλείων εφαρμογής, διατρέψτε ζεστά τα χέρια, οργάνωση των διαδικασιών εργασίας.

⚠ ΠΡΟΕΙΔΟΠΟΙΗΣΗ! Διαβάστε όλες τις προειδοποιητικές υποδείξεις, οδηγίες περιγραφές και προδιαγραφές γι' αυτό το ηλεκτρικό εργαλείο. Αμέλειες κατά την ήρξη των προειδοποιητικών υποδείξεων μπορεί να προκαλέσουν ηλεκτροπληξία, κίνδυνο πυρκαγιάς ή/και σοβαρούς τραυματισμούς.

⚠ ΥΠΟΔΕΙΞΕΙΣ ΑΣΦΑΛΕΙΑΣ ΓΙΑ ΣΠΑΘΟΣΕΓΓΕΣ.

Να πιάνετε τη συσκευή στις μονωμένες χειρολαβές όταν εκτελείτε εργασίες κατά τις οποίες τα κοπτικά εργαλεία θα μπορούσαν να πέσουν επάνω σε κρυμμένα καλώδια ρεύματος. Η επαφή του πριονοδόσκου με μια υπό τάση ευρισκόμενη ηλεκτρική γραμμή θέτει επίσης και τα μεταλλικά τμήματα του μηχανήματος υπό τάση κι έτσι μπορεί να οδηγήσει σε ηλεκτροπληξία.

Χρησιμοποιείτε σφικτηρές ή άλλα πρακτικά βοηθητικά μέσα για να στερεώσετε το τεμάχιο κατεργασίας επάνω σε μια σταθερή βάση. Σε κράτμημα του τεμαχίου κατεργασίας με το χέρι ή στήριξη του με το σώμα μπορεί να γλιστρήσει το τεμάχιο κατεργασίας και αυτό μπορεί να οδηγήσει σε απώλεια του ελέγχου.

ΠΕΡΑΙΤΕΡΟ ΟΔΗΓΙΕΣ ΑΣΦΑΛΕΙΑΣ ΚΑΙ ΧΡΗΣΙΩΣ

Χρησιμοποιείτε προστατευτικό εξοπλισμό. Κατά την εργασία με τη μηχανή φοράτε πάντα προστατευτικά γυαλιά. Συνιστούμε επίσης προστατευτική ενδυμασία όπως επίσης μάσκα προστασίας αναπνοής, προστατευτικά γάντια, σταθερά και ασφαλή στην ολίωσηση υποδήματα, κράνος και ωτοσπίδες.

Η σκόνη που δημιουργείται κατά την εργασία είναι συχνά επιβλαβής για την υγεία και δεν επιτρέπεται να έλθει στο σώμα. Να φοράτε κατάλληλη μάσκα προστασίας από σκόνη.

Μην επεξεργάζεστε επικίνδυνα για την υγεία υλικά (π.χ. αμιάντος).

Σε περίπτωση μπλοκαρίσματος της αριδίας απενεργοποιείτε αμέσως τη συσκευή! Μην ενεργοποιείτε εκ νέου τη συσκευή όσο η αριδα είναι μπλοκαρισμένη. Σ' αυτή τη περίπτωση θα μπορούσε να προκύψει υψηλή ροπή αντίδρασης. Βρείτε την αιτία του μπλοκαρίσματος της αριδίας και ξεμπλοκαρέτε την λαμβάνοντας υπόψη τις οδηγίες ασφαλείας.

Πιθανές αιτίες:

- Η αριδα μάγκωσε με το προς κατεργασία κομμάτι.
- Στάσιμο του προς κατεργασία υλικού.
- Υπερφόρτωση του ηλεκτρικού εργαλείου.

Μην απλώνετε τα χέρια σας στην επικίνδυνη περιοχή της μηχανής όταν είναι σε λειτουργία.

Η θερμοκρασία της αριδίας μπορεί να φτάσει σε υψηλά επίπεδα κατά τη λειτουργία.

ΠΡΟΕΙΔΟΠΟΙΗΣΗ! Κίνδυνος εγκαυμάτων

- κατά την αλλαγή εργαλείου (αριδίας)
- κατά την απόθεση της συσκευής

Τα γυαζία ή οι σκληθρές δεν επιτρέπεται να απομακρύνονται όσο η μηχανή βρίσκεται σε λειτουργία.

Κατά τις εργασίες σε τσίλο, οροφή ή δάπεδο προσέχετε για τυχόν ηλεκτρικά καλώδια και για σωληνές αερίου και νερού.

Ασφαλίστε το προς κατεργασία κομμάτι στη μέγερνη ή με μια άλλη διάταξη στερέωσης. Μη ασφαλισμένα προς κατεργασία κομμάτια μπορεί να προκαλέσουν σοβαρούς τραυματισμούς και ζημιές.

Οι ραγιαμένες πριονόλαμες (πριονοδόσκι) ή αυτές που έχουν παραμορφωθεί δεν επιτρέπεται να χρησιμοποιηθούν!

Το πριόνισμα με βύθισμα είναι δυνατό μόνο σε μαλακά υλικά (ξύλο, ελαφρά δομικά υλικά για τοιχώματα), στα σκληρότερα υλικά (μέταλλα) πρέπει να ανοιχτεί μια τρύπα αντιστοίχη στο μέγεθος της πριονόλαμας.

Πριν από κάθε εργασία στη μηχανή αφαιρείτε την ανταλλακτική μπαταρία.

Μην πετάτε τις μεταχειρισμένες ανταλλακτικές μπαταρίες στη φωτιά ή στα οικιακά απορρίμματα. Η Milwaukee προσφέρει μια απόσυρση των παλιών ανταλλακτικών μπαταριών σύμφωνα με τους κανόνες προστασίας του περιβάλλοντος, ρωτήστε παρακαλώ σχετικά στο ειδικό κατάστημα πώλησης.

Μην αποθηκεύετε τις ανταλλακτικές μπαταρίες μαζί με μεταλλικά αντικείμενα (κίνδυνος βραχυκυκλώματος).

Στη θήκη υποδοχής των ανταλλακτικών μπαταριών του φορητού δεν επιτρέπεται να φθάνουν μεταλλικά αντικείμενα (κίνδυνος βραχυκυκλώματος).

Φορτίστε τις ανταλλακτικές μπαταρίες του συστήματος 18 V μόνο με φορτιστές του συστήματος 18 V. Μη φορτίστε μπαταρίες από άλλα συστήματα.

Μην ανοίγετε τις ανταλλακτικές μπαταρίες και τους φορτιστές και χρησιμοποιείτε για αποθήκευση μόνο στεγνούς χώρους. Προστατεύετε τις ανταλλακτικές μπαταρίες και τους φορτιστές από την υγρασία.

Όταν υπάρχει υπερβολική καταπόνηση ή υψηλή θερμοκρασία μπορεί να τρέξει υγρό μπαταρίας από τις γαλασμένες επαναφορτιζόμενες μπαταρίες. Αν έρθετε σε επαφή με υγρό μπαταρίας να πλυθείτε αμέσως με νερό και σαπούνι. Σε περίπτωση επαφής με τα μάτια να πλυθείτε σχολαστικά για τουλάχιστον 10 λεπτά και να αναζητήσετε αμέσως ένα γιατρό.

Προειδοποίηση! Για να απορριπτεί τον κίνδυνο πυρκαγιάς λόγω βραχυκυκλώματος, τραυματισμός ή ζημιές του προϊόντος, να μη βυθίζετε το εργαλείο, τον ανταλλακτικό συσσωρευτή ή τη συσκευή φόρτισης σε υγρά και να φροντίζετε, ώστε να μη διασβούν υγρά στις συσκευές και τους συσσωρευτές. Διαβρωτικές ή αγνώστες υγρές ουσίες, όπως αλάτι, ορισμένες χημικές ουσίες και λευκαντικά ή προϊόντα που περιέχουν λευκαντικά, μπορεί να προκαλέσουν βραχυκύκλωμα.

ΔΗΛΩΣΗ ΠΙΣΤΟΤΗΤΑΣ ΕΚ

Δηλώνουμε υπεύθυνα ότι το προϊόν που περιγράφεται στο κεφάλαιο «Τεχνικά χαρακτηριστικά» είναι συμβατό με τις διατάξεις της Κοινοτικής Οδηγίας 2011/65/EU (RoHS), 2014/30/EU, 2006/42/ΕΚ και με τα ακόλουθα εναρμονισμένα κανονιστικά έγγραφα:

EN 62841-1:2015
EN 62841-2-11:2016
EN 55014-1:2017
EN 55014-2:2015
EN IEC 63000:2018

Winnenden, 2019-02-13

Alexander Krug
Managing Director



Εξουσιοδοτημένος να συντάξει τον τεχνικό φάκελο.

Techtronic Industries GmbH
Max-Eyth-Straße 10
71364 Winnenden
Germany

ΧΡΗΣΗ ΣΥΜΦΩΝΑ ΜΕ ΤΟ ΣΚΟΠΟ ΠΡΟΟΡΙΣΜΟΥ

Η παθόσγα προιόνει ξύλο, πλαστικό και μέταλλα. Κόβει ευθεία, καμπύλες και εσωτερικά ανοίγματα. Κόβει σωληνες και χωριζει "πρόσωπο" με την επιφάνεια.

Αυτή η συσκευή επιτρέπεται να χρησιμοποιηθεί μόνο σύμφωνα με τον αναφερόμενο σκοπό προορισμού.

ΗΛΕΚΤΡΙΚΟ ΦΡΕΝΟ

Κατά την ελευθέρωση του διακόπτη η πριονόλαμα ακινητοποιείται μέσα σε 2 δευτερόλεπτα από το ηλεκτρικό φρένο. Όμως το ηλεκτρικό φρένο μπορεί να δράσει επίσης με καθυστέρηση. Καμιά φορά το ηλεκτρικό φρένο δεν είναι ενεργό. Εάν το ηλεκτρικό φρένο συχνά δεν είναι ενεργό, πρέπει το πριόνι να προκομιστεί σε μια εξουσιοδοτημένη υπηρεσία σέρβις της Milwaukee. Μόνο μετά την ακινητοποίηση της πριονόλαμας, τραβάτε το πριόνι από το τεμάχιο κατεργασίας.

ΜΠΑΤΑΡΙΑΣ

Επαναφορτίζετε τις ανταλλακτικές μπαταρίες που δεν έχουν χρησιμοποιηθεί για μεγαλύτερο χρονικό διάστημα πριν τη χρήση.

Μια θερμοκρασία πάνω από 50°C μειώνει την ισχύ της ανταλλακτικής μπαταρίας. Αποφύγετε τη θέρμανση για μεγαλύτερο χρονικό διάστημα από τον ήλιο ή τις συσκευές θέρμανσης.

Διατρέψτε τις επαφές σύνδεσης στο φορητό και στην ανταλλακτική μπαταρία καθαρές.

Για μια άριστη διάρκεια ζωής πρέπει μετά τη χρήση οι μπαταρίες να φορηστούν πλήρως.

Για μια κατά το δυνατόν μεγάλη διάρκεια ζωής οι μπαταρίες μετά τη φόρτηση οφείλουν να αφαιρεθούν από το φορητό.

Για την αποθήκευση της μπαταρίας για διάστημα μεγαλύτερο των 30 ημερών:

Αποθηκεύετε τη μπαταρία περ. στους 27°C σε στεγνό χώρο.

Αποθηκεύετε τη μπαταρία περ. στο 30%-50% της κατάστασης φόρτισης.

Κάθε 6 μήνες φορτίζετε εκ νέου τη μπαταρία.

ΠΡΟΣΤΑΣΙΑ ΥΠΕΡΦΟΡΤΩΣΗΣ ΤΗΣ ΜΠΑΤΑΡΙΑΣ

Σε υπερφόρτωση της μπαταρίας από πολύ υψηλή κατανάλωση ρεύματος, π. χ. από ακραίες υψηλές ροπές περιστροφής, μπλοκαρίσματος του δριείθιου, ζαφνικό στοπ ή βραχυκύκλωμα, βουζιέι το ηλεκτρικό εργαλείο για 2 δευτερόλεπτα και απενεργοποιείται αυτόματα.

Για μια νέα ενεργοποίηση, αφήνετε ελεύθερο το διακόπτη και στη συνέχεια ενεργοποιείτε εκ νέου.

Κάτω από ακραίες καταπονήσεις μπορεί η μπαταρία να θερμανθεί πολύ. Στην περίπτωση αυτή η μπαταρία απενεργοποιείται.

ΜΕΤΑΦΟΡΑ ΤΩΝ ΜΠΑΤΑΡΙΑΩΝ ΙΟΝΤΩΝ ΛΙΘΙΟΥ

Οι μπαταρίες ιόντων λιθίου υπόκεινται στις απαιτήσεις των νομικών διατάξεων για την μεταφορά επικινδύνων εμπορευμάτων.

Η μεταφορά τέτοιων μπαταριών πρέπει να πραγματοποιείται τηρώντας τους τοπικούς, εθνικούς και διεθνείς κανονισμούς και τις αντίστοιχες διατάξεις.

- Επιτρέπεται η μεταφορά τέτοιων μπαταριών στο δρόμο χωρίς περαιτέρω απαιτήσεις.
- Η εμπορική μεταφορά μπαταριών ιόντων λιθίου από εταιρείες μεταφορών υπόκειται στις απαιτήσεις των νομικών διατάξεων για την μεταφορά επικινδύνων εμπορευμάτων. Οι προετοιμασίες αποστολής και η μεταφορά πραγματοποιούνται αποκλειστικά από ειδικά

εκπαιδευμένα πρόσωπα. Η συνολική διαδικασία συνοδεύεται από εξειδικευμένο προσωπικό.

Κατά τη μεταφορά μπαταριών ιόντων λιθίου πρέπει να προσέχετε τα εξής:

- Φροντίστε τα σημεία επαφών να είναι προστατευμένα και μονωμένα ώστε να αποφευχθούν βραχυκυκλώματα.
- Προσέξτε το πακέτο μπαταριών να είναι σταθερό μέσα στη συσκευασία και να μη γλιστρά.
- Η μεταφορά μπαταριών που παρουσιάζουν φθορές ή διαρροές δεν επιτρέπεται.

Για περισσότερες πληροφορίες απευθυνθείτε στην εταιρεία μεταφορών.

ΣΥΝΤΗΡΗΣΗ

Διατρέψτε πάντοτε τις σχισμές εξερισμού στη μηχανή καθαρές.

Χρησιμοποιείτε μόνο πρόσθ. εξαρτήματα Milwaukee και ανταλλακτικά Milwaukee. Κατσακ. τμήματα, που η αλλαγή τους δεν περιγράφεται, αντικαθιστώνται σε μια τεχνική υποστήριξη της Milwaukee (βλέπε φυλλάδιο εγγύηση/ διευθύνσεις τεχνικής υποστήριξης).

Σε περίπτωση που το χρεαστείτε μπορείτε να παραγγείλετε λεπτομερές σχέδιο της συσκευής αναφέροντας τον τύπο και τον εξάψηφο αριθμό που βρίσκεται στην πινακίδα τεχνικών χαρακτηριστικών από την εξυπηρέτηση πελατών ή απευθείας από την Techtronic Industries GmbH, διεύθυνση Max-Eyth-Straße 10, 71364 Winnenden, Germany.

ΣΥΜΒΟΛΑ



ΠΡΟΣΟΧΗ! ΠΡΟΕΙΔΟΠΟΙΗΣΗ! ΚΙΝΔΥΝΟΣ!



Πριν από κάθε εργασία στη μηχανή αφαιρείτε την ανταλλακτική μπαταρία.



Παρακαλώ διαβάστε σχολαστικά τις οδηγίες χρήσης πριν από την έναρξη λειτουργίας.



Στις εργασίες με τη μηχανή φοράτε πάντοτε προστατευτικά γυαλιά.



Εξαρτήματα - Δεν περιλαμβάνονται στα υλικά παράδοση, συνιστούμενη προσηκή από το πρόγραμμα εξαρτημάτων.



Ηλεκτρικά μηχανήματα, μπαταρίες/συσσωρευτές δεν επιτρέπεται να απορριπνούνται μαζί με τα οικιακά απορρίμματα. Ηλεκτρικά μηχανήματα και συσσωρευτές συλλέγονται ξεχωριστά και παραδίδονται προς ανακύκλωση με τρόπο φιλικό προς το περιβάλλον σε επιχείρηση επεξεργασίας απορριμμάτων. Ενημερωθείτε από τις τοπικές υπηρεσίες ή από ειδικευμένους εμπόρους σχετικά με κέντρα ανακύκλωσης και συλλογής απορριμμάτων.



Αριθμός παλινδρομήσεων χωρίς φορτίο



Τάση



Συνεχές ρεύμα



Ευρωπαϊκό σήμα πιστότητας



Ουκρανικό σήμα πιστότητας

Ευρασιατικό σήμα πιστότητας

TEKNİK VERİLER	AKÜ KILIÇ TESTERESİ	C 18 HZ
Üretim numarası	4526 65 03...	
.....	4467 30 03...	
.....	4313 78 03...	
.....	...00001-999999	
Kartuş akü gerilimi	18 V	
Boşta ki strok sayısı.....	0-3000 min ⁻¹	
Strok yüksekliği.....	20 mm	
Ağırlığı ise EPTA-üretici 01/2014 'e göre. (1,5 Ah).....	2,2 kg	
Ağırlığı ise EPTA-üretici 01/2014 'e göre. (3,0 Ah).....	2,5 kg	
Çalışma sırasında tavsiye edilen ortam sıcaklığı	-18...+50 °C	
Tavsiye edilen akü tipleri.....	M18B...	
Tavsiye edilen şarj aletleri.....	M12-18C, M12-18AC, M12-18FC, M1418C6	

Gürültü/Vibrasyon bilgileri

Ölçüm değerleri EN 62841 e göre belirlenmektedir.

Aletin A değerlendirmeli gürültü seviyesi tipik olarak şu değerdedir:

Ses basıncı seviyesi (Tolerans K=3dB(A)).....	81 dB (A)
Akustik kapasite seviyesi (Tolerans K=3dB(A)).....	92 dB (A)

Koruyucu kulaklık kullanın!

Toplam titreşim değeri (üç yönün vektör toplamı) EN 62841'e göre belirlenmektedir:

Titreşim emisyon değeri a

Ağaç direklerin testere edilmesi. *

Tolerans K.....

* bimetal testere, Boyu 150 x 1,25 mm ve dış dağılımı 5 mm

UYARI

Bu talimatlarda belirtilen titreşim seviyesi, EN 62841 standardına uygun bir ölçme metodu ile ölçülmüştür ve elektrikli el aletleri birbiriyle karşılaştırmak için kullanılabilir. Ölçüm sonuçları ayrıca titreşim yükünün geçici değerlendirmesi için de uygundur.

Belirtilen titreşim seviyesi, elektrikli el aletin genel uygulamaları için geçerlidir. Ancak elektrikli el aleti başka uygulamalar için, farklı eklenti parçalarıyla ya da yetersiz bakım koşullarında kullanılırsa, titreşim seviyesi farklılık gösterebilir. Bu durumda, titreşim yükü toplam çalışma zaman aralığı içerisinde belirgin ölçüde yükselebilir.

Titreşim yükünün tam bir değerlendirmesi için ayrıca cihazın kapalı olduğu süreler ve cihazın çalışır durumda olduğu, ancak gerçek kullanımda bulunmadığı süreler de dikkate alınmalıdır. Böylelikle, toplam çalışma zamanı aralığı boyunca meydana gelen titreşim yükü belirgin ölçüde azaltılabilir.

Kullanıcıyı titreşimlerin etkisinden korumak üzere, örneğin elektrikli el aletlerinin ve eklenti parçalarının bakımı, ellerin sıcak tutulması ve iş akışlarının organizasyonu gibi ek güvenlik tedbirleri belirleyiniz.

UYARI! Bu elektrikli el aletiyle ilgili bütün uyarıları, talimat hükümlerini, gösterimleri ve spesifikasyonları okuyun. Aşağıda açıklanan talimat hükümlerine uymadığı takdirde elektrik çarpmalarına, yangınlara ve/veya ağır yaralanmalara neden olunabilir.

KILIÇ TESTERELER İÇİN GÜVENLİK UYARILARI

Kesme aletin eğrilmiş elektrik kabloları isabet eden çalışmalar yapılırken cihazı izole edilmiş kollarından tutun. Elektrik akımı ileten kablolarla temas edilecek olursa metal alet elemanlarına da gerilim geçer ve bu da elektrik çarpmalarına neden olabilir.

Aleti sağlam bir aletle sabit olarak tutturabilmek amacıyla vidalı mengene veya diğer pratik yardımcı aletler kullanınız. Aletin elle tutulması veya vücudunuzla bastırılması suretiyle alet kayabilir ve kontrolden çıkabilir.

EK GÜVENLİK VE ÇALIŞMA TALIMATLARI

Koruma teçhizatı kullanın.Makinada çalışırken devamlı surette koruyucu gözlük takın. Koruyucu elbise ve tozlarıdan koruma maskesi, emniyet eldivenleri ve sağlam ve kaymaya mukavim ayakkabı giyin. Başlık ve kulaklık tavsiye edilir.

Çalışma sırasında ortaya çıkan toz genellikle sağlığa zararlıdır ve bedeninize temas etmemelidir. Uygun bir koruyucu toz maskesi kullanın

Sağlık tehlikelerine neden olan malmemelerin işlenmesi yasaktır (örn. asbest).

Uca yerleştirilen takımın bloke olması halinde lütfen cihazı hemen kapatın! Uca yerleştirilen takım bloke olduğu sürece cihazı tekrar çalıştırmayın; bu sırada yüksek reaksiyon momentine sahip bir geri tepme meydana gelebilir. Uca yerleştirilen takımın neden bloke olduğuna bakın ve bu durumu güvenlik uyarılarına dikkat ederek gidin.

Olası nedenler şunlar olabilir:

- İşlenen parça içinde takılma
- İşlenen malzemenin delinmesi
- Elektrikli alete aşırı yük binmesi

Ellerinizi çalışmakta olan makinenin içine uzatmayın.

Uca yerleştirilen takım kullanım sırasında ısınabilir.

UYARI! Yanma tehlikesi

- takım değiştirme sırasında
- aletin yere bırakılması sırasında

Alet çalışır durumda iken talaş ve kırıntılar temizlemeye çalışmayın.

Duvar, tavan ve zeminde delik açarken elektrik kablolarına, gaz ve su borularına dikkat edin.

İşlenen parçayı bir germe tertibatıyla emniyete alın. Emniyete alınmayan iş parçaları ağır yaralanmalar ve hasarlara neden olabilir.

Çatlamış ve deforme olmuş testere bıçaklarını kullanmayın!

Malzeme içine dalarak kesme sadece yumuşak malzemelerde (tahta, duvarlarda kullanılan hafif yapı malzemeleri gibi) mümkündür. Sert malzemelerde ise testere bıçağı boyutuna uygun bir ön kılavuz delik açılmalıdır.

Aletin kendinde bir çalışma yapmadan önce kartuş aküyü çıkarın.

Kullanılmış kartuş aküleri ateşe veya ev çöplerine atmayın. Milwaukee, kartuş akülerin çevreye zarar vermeyecek biçimde tasfiye edilmesine olanak sağlayan hizmet sunar; lütfen bu konuda yetkili satıcınızdan bilgi alın.

Kartuş aküleri metal parça veya eşyalarla birlikte saklamayın (kısa devre tehlikesi).

Şarj cihazının kartuş akü yuvasına hiçbir şekilde metal parçalar kaçmamalıdır (kısa devre tehlikesi).

18 V sistemli kartuş aküleri sadece 18 V sistemli şarj cihazları ile şarj edin. Başka sistemli aküleri şarj etmeyin.

Kartuş aküleri ve şarj cihazını açmayın ve sadece kuru yerlerde saklayın. Neme ve ıslanmaya karşı koruyun.

Aşırı zorlanma veya aşırı ısınma sonucu hasar gören kartuş akülerden batarya sıvısı dışarı akabilir. Batarya sıvısı ile temasa gelen yeri hemen bol su ve sabunla yıkayın. Batarya sıvısı gözünüze kaçacak olursa en azından 10 dakika yıkayın ve zaman geçirmeden bir hekime başvurun.

Uyarı! Bir kisa devreden kaynaklanan yangın, yaralanma veya ürün hasarları tehlikesini önlemek için aleti, güç paketini veya şarj cihazını asla sıvıların içine daldırmayınız ve cihazların ve pillerin içine sıvı girmesini önleyiniz. Tuzlu su, belirli kimyasallar, ağartıcı madde veya ağartıcı madde içeren ürünler gibi korozif veya iletken sıvılar kısa devreye neden olabilir.

CE UYGUNLUK BEYANI

Tek sorumlu olarak "Teknik Veriler" bölümünde tarif edilen ürünün 2011/65/EU (RoHS), 2014/30/EU, 2006/42/EC sayılı direktifin ve aşağıdaki harmonize temel belgelerin bütün önemli hükümlerine uygun olduğunu beyan etmekteyiz.

EN 62841-1:2015
EN 62841-2-11:2016
EN 55014-1:2017
EN 55014-2:2015
EN IEC 63000:2018

Winnenden, 2019-02-13

Alexander Krug

Alexander Krug
Managing Director



Teknik evrakları hazırlamakla görevlendirilmiştir.

Techtronic Industries GmbH
Max-Eyth-Straße 10
71364 Winnenden
Germany

KULLANIM

Bu panter testere tahta, plastik ve metalleri keser; düz, kavslı ve içten kesme işleri yapar. Boruları keser ve yüzleyle aynı hizada kesme yapar.

Bu alet sadece belirttiği gibi ve usulüne uygun olarak kullanılabilir.

ELEKTRİKLİ FREN

Şalter düğmesinin serbest bırakılması durumunda testere levhası yaklaşık 2 saniye içerisinde elektrikli fren ile durdurulur. Ancak elektrikli fren gecikmeli olarak etki yapabilir. Elektrikli fren ara sıra etkili değildir. Şayet elektrikli fren sık sık etkili olmazsa, testerenin yetkili bir Milwaukee Servisine götürülmesi gerekir. Testere levhası ancak durduktan sonra testerenin aparatından çekilmesi gerekir.

AKÜ

Uzun süre kullanım dışı kalmış kartuş aküleri kullanmadan önce şarj edin. 50°C üzerindeki sıcaklıklar kartuş akünün performansını düşürür. Akünün güneş ışığı veya mekân sıcaklığı altında uzun süre ısınmamasına dikkat edin.

Şarj cihazı ve kartuş aküdeki bağlantı noktalarını temiz tutun.

Akünün ömrünün mükemmel bir şekilde uzun olması için kullandıktan sonra tamamen doldurulması gerekir.

Ömrünün mümkün olduğu kadar uzun olması için akülerin yüklemeye yapıldıktan sonra dolurma cihazından uzaklaştırılması gerekir.

Akünün 30 günden daha fazla depolanması halinde: Aküyü takriben 27°C'de kuru olarak depolayın. Aküyü yüklemeye durumunun takriben % 30 - %50 olarak depolayın. Aküyü her 6 ay yeniden doldurun.

AKÜNÜN AŞIRI YÜKLENMEYE KARŞI KORUNMASI

Pek fazla elektrik tüketimi yapılmak suretiyle aküye fazla yüklenildiğinde, örneğin aşırı devir momentleri, aniden durma veya kısa devre, elektrikli alet 2 saniye garip sesler çıkarır ve kendiliğinden durur. Aleti yeniden çalıştırmak için şalter basılı kolunu serbest bırakın ve bundan sonra tekrar çalıştırın. Aşırı yüklenme durumunda ise akü pek fazla ısınır. Bu durumda akü kendiliğinden durur."

LİTYUM İYON PİLLERİN TAŞINMASI

Lityum iyon piller tehlikeli madde taşımacılığı hakkındaki yasal hükümler tabiidir.

Bu piller, bölgesel, ulusal ve uluslararası yönetmeliklere ve hükümlere uyularak taşınmak zorundadır.

- Tüketiciler bu pilleri herhangi bir özel şart aranmaksızın karayoluyla taşıyabilirler.
- Lityum iyon pillerin nakliye şirketleri tarafından ticari taşımacılığı için tehlikeli madde taşımacılığının hükümleri geçerlidir. Sevkiyet ve taşıma sadece ilgili eğitimli görmüş personel tarafından gerçekleştirilir. Bütün süreç uzmanca bir refakatçilik altında gerçekleştirilmelidir.

Pillerin taşınması sırasında aşağıdaki hususlara dikkat edilmesi gerekmektedir:

- Kısa devre oluşmasını önlemek için kontakların korunmuş ve izole edilmiş olması sağlanmalıdır.
- Pili paketinin ambalajı içinde kaymamasına dikkat ediniz.
- Hasarlı veya akmış pillerin taşınması yasaktır.

Ayrıca bilgiler için nakliye şirketinize başvurunuz.

BAKIM

Aletin havalandırma aralıklarını daima temiz tutun.

Sadece Milwaukee aksesuarı ve yedek parçası kullanın. Nasıl değiştirileceği açıklanmamış olan yapı parçalarını bir Milwaukee müşteri servisinden veya değiştirin (Garanti ve servis adresi broşürüne dikkat edin).

Gerektiğinde cihazın ayrıntılı çizimini, güç levhası üzerindeki makine modelini ve altı haneli rakamı belirterek müşteri servisinden veya doğrudan Techtronic Industries GmbH, Max-Eyth-Straße 10, 71364 Winnenden, Germany adresinden isteyebilirsiniz.

SEMBOLLER



DİKKAT! UYARI! TEHLİKE!



Aletin kendinde bir çalışma yapmadan önce kartuş aküyü çıkarın.



Lütfen aleti çalıştırmadan önce kullanma kılavuzunu dikkatli biçimde okuyun.



Aletle çalışırken daima koruyucu gözlük kullanın.



Aksesuar - Teslimat kapsamında değildir, önerilen tamamlamalar aksesuar programında.



Elektrikli cihazların, pillerin/akülerin evsel atıklarla birlikte bertaraf edilmesi yasaktır. Elektrikli cihazlar ve aküler ayrılarak biriktirilmeli ve çevreye zarar vermeden bertaraf edilmeleri için bir atık değerlendirme tesisine götürülmelidir. Yerel makamlara veya satıcınıza geri dönüşüm tesisleri ve atık toplama merkezlerinin yerlerini danışınız.



Boşta ki strok sayısı



Voltaj



Avrupa uyumluluk işareti



Ukrayna uyumluluk işareti



Avrasya uyumluluk işareti

TECHNICKÁ DATA	AKU ŠAVLOVÁ PILA	C 18 HZ
Výrobní číslo.....	4526 65 03...	
.....	4467 30 03...	
.....	4313 78 03...	
.....	..000001-999999	
Napětí výměnného akumulátoru.....	18 V	
Počet zdvihů při b. napr.....	0-3000 min ⁻¹	
Výška zdvihů.....	20 mm	
Hmotnost podle prováděcího předpisu EPTA 01/2014 (1,5 Ah).....	2,2 kg	
Hmotnost podle prováděcího předpisu EPTA 01/2014 (3,0 Ah).....	2,5 kg	
Doporučená okolní teplota při práci.....	-18...+50 °C	
Doporučené typy akumulátorů.....	M18B...	
Doporučené nabíječky.....	M12-18C, M12-18AC, M12-18FC, M1418C6	

Informace o hluku / vibracích

Naměřené hodnoty odpovídají EN 62841.

Typická vážená

Hladina akustického tlaku (Kolsavost K=3dB(A)).....81 dB (A)

Hladina akustického výkonu (Kolsavost K=3dB(A)).....92 dB (A)

Používejte chrániče sluchu !

Celkové hodnoty vibrací (vektorový součet tří směrů) zjištěné ve smyslu EN 62841.

Hodnota vibračních emisí a_w

Rezáni dřevěných trámů *7,2 m/s²

Kolsavost K.....1,5 m/s²

* s pilovým listem bimetal, rozměr 150 x 1,25 mm a rozstup zubů 5 mm

VAROVÁN

Úroveň chvění uvedená v tomto návodu byla naměřena podle metody měření stanovené normou EN 62841 a může být použita pro porovnání elektrického nářadí. Hodí se také pro průběžný odhad zatížení chvěním.

Uvedená úroveň chvění představuje hlavní účely použití elektrického nářadí. Jestliže se ale elektrické nářadí používá pro jiné účely, s odlišnými nástroji nebo nedostatečnou údržbou, může se úroveň chvění odlišovat. To může značně zvýšit zatížení chvěním během celé pracovní doby.

Pro přesný odhad zatížení chvěním se musí také zohlednit časy, během kterých je přístroj vypnutý nebo kdy je sice v chodu, ale skutečně se s ním nepracuje. To může zatížení chvěním během celé pracovní doby značně snížit.

Stanovte doplňková bezpečnostní opatření pro ochranu obsluhy před účinky chvění jako například: technická údržba elektrického nářadí a nástrojů, udržování teploty rukou, organizace pracovních procesů.

VAROVÁNÍ! Přečtěte si všechna výstražná upozornění, pokyny, zobrazení a specifikace pro toto elektrické nářadí. Zanedbání při dodržování výstražných upozornění a pokynů uvedených v následujícím textu může mít za následek zásah elektrickým proudem, způsobit požár a/ nebo těžké poranění.

BEZPEČNOSTNÍ POKYNY PRO ŠAVLOVÉ PILY

Při provádění prací, při kterých nástroj může narazit na skryta elektrická vedení, držte přístroj za izolované přídržovací plošky. Kontakt s vedením pod napětím přivádí napětí i na kovové díly stroje a vede k elektrickému úderu.

K upevnění obráběného dílu na stabilním podkladu použijte šroubovou svěrku nebo jinou praktickou pomůcku. Přidržením obráběného dílu rukou nebo jeho přitlačováním tělem se díl může vysmeknout a tím může dojít ke ztrátě kontroly.

DALŠÍ BEZPEČNOSTNÍ A PRACOVNÍ POKYNY

Použijte ochranné vybavení. Při práci s elektrickým nářadím používejte vždy ochranné brýle. Doporučujeme rovněž použití součástí ochranného oděvu a ochranné obuvi, jako protiprašné masky, ochranných rukavic, pevné a nekloužající obuvi, ochranné přilby a ochrany sluchu.

Prach vznikající při práci s tímto nářadím může být zdraví škodlivý. Proto by neměl přijít do styku s tělem. Používejte při práci vhodnou ochrannou masku.

Nesměj se opravovávat materiály, které mohou způsobit ohrožení zdraví (např. azbest)

Při zablokování nasazeného nástroje přístroj okamžitě vypněte! Přístroj nezapínajte, pokud je nasazený nástroj zablokovaný; mohl by při tom vzniknout zpětný náraz s vysokými reakčním momentem. Zjistěte příčinu zablokování nasazeného nástroje a odstraňte ji při dodržení bezpečnostních pokynů.

Možnými příčinami mohou být:

- vzpříčení u opracovávaném obrobku
- přelomení opracovávaného materiálu
- přetížení elektrického přístroje

Nezasahujte do běžícího stroje.

Nasazený nástroj se může během používání rozpálit.

VAROVÁNÍ! Nebezpečí popalení.

- při výměně nástroje
- při odkládání přístroje

Pokud stroj běží, nesmí být odstraňovány třísky nebo odštěpky.

Při vrtní do zdi, stropu nebo podlahy dávat pozor na elektrické kabely, plynová a vodovodní potrubí.

Obrobek zabezpečte upínacím zařízením. Nezabezpečené obrobky mohou způsobit těžká poranění a poškození.

Popraskané nebo zdeformované pilové listy nesmí být používány!

Takzvané ponorné řezy jsou možné jen u měkkých materiálů. Zapneme nástroj a nasadíme ho na vodící římen, jednou rukou dobře přidržíme kryt a druhou rukou zatlačíme ovladač nahoru a zanoříme pilový list.

Před zahájením veškerých prací na vrtacím šroubováků vyjmout výměnný akumulátor.

Použité nevyhazujte do domovního odpadu nebo do ohně. Milwaukee nabízí ekologickou likvidaci starých článků, ptejte se u vašeho obchodníka s nářadím.

Náhradní akumulátor neskladujte s kovovými předměty, nebezpečí zkratu.

V nabíjecím postu nabíječky neskladujte kovové předměty, nebezpečí zkratu.

Akumulátor systému 18 V nabíjejte pouze nabíječkou systému 18 V. Nenabíjejte akumulátory jiných systémů.

Náhradní akumulátory ani nabíječku neotvírejte, skladujte je v suchu, chraňte před vlhkem.

Při extrémní zátěži či vysoké teplotě může z akumulátoru výtékat kapalina. Při zasažení touto kapalinou okamžitě zasažená místa omyjte vodou a mýdlem. Při zasažení očí okamžitě důkladně po dobu alespoň 10 min. omyvat a neodkládně vyhledat lékaře.

Varování! Abyste zabránili nebezpečí požáru způsobeného zkratem, poraněním nebo poškozením výrobku, neponojujte nářadí, výměnnou baterii nebo nabíječku do kapalín a zajistěte, aby do zařízení a akumulátorů nevnikli žádné tekutiny. Korodující nebo vodivé kapaliny, jako je slaná voda, určité chemikálie a bělicí prostředky nebo výrobky, které obsahují bělidlo, mohou způsobit zkrat.

CE-PROHLÁŠENÍ O SHODĚ

Výhradně na vlastní zodpovědnost prohlašujeme, že se výrobek popsáný v "Technických údajích" shoduje se všemi relevantními předpisy směrnice 2011/65/EU (RoHS), 2014/30/ES, 2006/42/ES a s následujícími harmonizovanými normativními dokumenty:

EN 62841-1:2015
EN 62841-2-11:2016
EN 55014-1:2017
EN 55014-2:2015
EN IEC 63000:2018

Winnenden, 2019-02-13

Alexander Krug

Alexander Krug
Managing Director



Zplnomocněn k sestavování technických podkladů.

Techtronic Industries GmbH
Max-Eyth-Straße 10
71364 Winnenden
Germany

OBLAST VYUŽITÍ

Šavlová pila řeže dřevo, plasty a kov. Řeže přímkově, v křivkách a vnitřní průřezy. Řeže trubky a odděluje plochy.

Toto zařízení lze používat jen pro uvedený účel.

ELEKTRICKÁ BRZDA

Při uvolnění spínacího tlačítka elektrická brzda během cca 2 sekund zastaví pilový list. Elektrická brzda však může účinkovat s časovou prodlevou. Pokud elektrická brzda opakovaně selže, musí se pila odnést do autorizovaného servisu Milwaukee.

Pilu z fezaného dílu vyjměte teprve po zastavení pilového listu.

AKUMULÁTOR

Déle nepoužívané akumulátory je nutné před použitím znovu nabít.

Teplota přes 50°C snižuje výkon akumulátoru. Chraňte před dlouhým přehříváním na slunci či u topení.

Kontakty nabíječky a akumulátoru udržujte v čistotě.

Optimální životnost akumulátorů se zajistí, když se po použití vždy plně nabijí.

K zabezpečení dlouhé životnosti by se akumulátory měly po nabití vyjmout z nabíječky.

Při skladování akumulátoru po dobu delší než 30 dní:

Skladujte akumulátor v suchu při cca 27°C.

Skladujte akumulátor při cca 30%-50% nabíjecí kapacity.

Opakujte nabíjení akumulátoru každých 6 měsíců.

OCHRANA PROTI PŘETÍŽENÍ AKUMULÁTORU

Při přetížení akumulátoru přilší vysokým odběrem proudu, například při extrémně vysokých točivých momentech, při blokování, náhlém zastavení nebo zkratu, začne vrtáčka a poté se samočinně vypne.

K opětovnému zapnutí uvolněte spínací tlačítko a poté jej opět zapněte.

Při extrémním zatížení se akumulátor může silně zahřát. Dojde-li k tomu, akumulátor se vypne.

PŘEPRAVA LITHIUM-IONTOVÝCH BATERIÍ

Lithium-iontové baterie spadají podle zákonných ustanovení pod přepravu nebezpečného nákladu.

Přeprava těchto baterií se musí realizovat s dodržováním lokálních, vnitrostátních a mezinárodních předpisů a ustanovení.

- Spotřebitelé mohou tyto baterie bez problémů přepravovat po komunikacích.
- Komerční přeprava lithium-iontových baterií prostřednictvím přepravních firem podléhá ustanovením o přepravě nebezpečného nákladu. Přípravu k vyexpedování a samotnou přepravu smejí vykonávat jen příslušně vyškolené osoby. Na celý proces se musí odborně dohlížet.

Při přepravě baterií je třeba dodržovat následující:

- Zajistěte, aby kontakty byly chráněné a izolované, aby se zamezilo zkratům.
- Dávejte pozor na to, aby se svazek baterií v rámci balení nemohl sesmeknout.
- Poškozené a vyteklé baterie se nesmějí přepravovat.

Ohledně dalších informací se obraťte na vaši přepravní firmu.

ÚDRŽBA

Větrací štěrbinový nářadí udržujeme stále čisté.

Používat výhradně příslušenství Milwaukee a náhradní díly Milwaukee. Díly jejichž výměny nebyla popsána, nechte vyměnit v autorizovaném servisu (viz: Záruky / Seznam servisních míst)

V případě potřeby si můžete v servisním centru pro zákazníky nebo přímo od firmy Techtronic Industries GmbH, Max-Eyth-Straße 10, 71364 Winnenden, Německo vyžádat schematický náčrtek jednotlivých dílů přístroje, když uvedete typ přístroje a šestimístní číslo na výkonovém štítku.

SYMBOLY

	POZOR! VAROVÁNÍ! NEBEZPEČÍ!
	Před zahájením veškerých prací na vrtacím šroubováků vyjmout výměnný akumulátor.
	Před spuštěním stroje si pečlivě přečtěte návod k používání.
	Při práci se strojem neustále nosit ochranné brýle.
	Příslušenství není součástí dodávky, viz program příslušenství.
	Elektrická zařízení, baterie/akumulátory se nesmí likvidovat společně s odpadem z domácnosti. Elektrická zařízení, baterie/akumulátory je třeba sbírat odděleně a odevzdat je v recyklačním podniku na ekologickou likvidaci. Na místních úřadech nebo u vašeho specializovaného prodejce se informujte na recyklační podniky a sběrné dvory.
	Počet zdvihů při b. napr
	Napětí
	Stejnoseměrný proud
	Značka shody v Evropě
	Značka shody na Ukrajině
	Značka shody pro oblast Eurasie

TECHNICKÉ ÚDAJE	AKUMULÁTOROVÁ ŠABLŔOVÁ PÍLA	C 18 HZ
Výrobné číslo.....	4526 65 03...	
.....	4467 30 03.....	
.....	4313 78 03.....	
.....	...000001-999999	
Napätie výmenného akumulátora.....	18 V	
Počet zdvihov naprázdno.....	0-3000 min ⁻¹	
Výška zdvíhu.....	20 mm	
Hmotnosť podľa vykonávacieho predpisu EPTA 01/2014 (1,5 Ah).....	2,2 kg	
Hmotnosť podľa vykonávacieho predpisu EPTA 01/2014 (3,0 Ah).....	2,5 kg	
Odporúčaná okolitá teplota pri práci.....	-18...+50 °C	
Odporúčané typy akupaku.....	M18B...	
Odporúčané nabíjačky.....	M12-18C, M12-18AC, M12-18FC, M1418C6	

Informácia o hluku / vibráciách

Namerané hodnoty určené v súlade s EN 62841.

A-ohodnotená hladina akustického tlaku prístroja ciní

Hladina akustického tlaku (Kolisavosť K=3dB(A)).....81 dB (A)

Hladina akustického výkonu (Kolisavosť K=3dB(A)).....92 dB (A)

Používajte ochranu sluchu!

Celkové hodnoty vibrácií (vektorový súčet troch smerov) zistené v zmysle EN 62841.

Hodnota vibračných emisí a_h

Rezanie drevených trávov *.....7,2 m/s²

Kolisavosť K.....1,5 m/s²

* s pilovým listom bimetal, veľkosť 150 x 1,25 mm a rozstup zubov 5 mm

POZOR

Úroveň vibrácií uvedená v týchto pokynoch bola nameraná meracou metódou, ktorú stanovuje norma EN 62841 a je možné ju použiť na vzájomné porovnanie elektrického náradia. Hodí sa aj na predbežné posúdenie kmitavého namáhania.

Uvedená úroveň vibrácií reprezentuje hlavné aplikácie elektrického náradia. Ak sa však elektrické náradie používa pre iné aplikácie, s odlišnými vloženými nástrojmi alebo s nedostatočnou údržbou, môže sa úroveň vibrácií líšiť. Toto môže kmitavé namáhanie v priebehu celej pracovnej doby podstatne zvýšiť.

Pre presný odhad kmitavého namáhania by sa mali tiež zohľadniť doby, v ktorých je náradie vypnuté alebo je síce v chode, ale v skutočnosti sa nepoužíva. Toto môže kmitavé namáhanie v priebehu celej pracovnej doby zreteľne redukovat'.

Stanovte dodatočné bezpečnostné opatrenia pre ochranu obsluhy pred účinkami vibrácií, ako napríklad: údržba elektrického náradia a vložených nástrojov, uzdraviavie teploty rúk, organizácia pracovných postupov.

VAROVANIE! Prečítajte si všetky výstražné upozorneni, pokyny, znázornenia a špecifikácie pre toto elektrické náradie. Zanedbanie pri dodržiavaní výstražných upozorneni a pokynov uvedených v nasledujúcom texte môže mať za následok zásah elektrickým prúdom, spôsobiť požiar a/ alebo ťažké poranenie.

BEZPEČNOSTNÉ POKYNY PRE ŠABLŔOVÉ PÍLY

Pri realizovaní prác, pri ktorých nástroj môže naraziť na skryté elektrické vedenie, držte prístroj za izolované pridrôzovacie plochy. Kontakt s vedením, ktoré je pod napätím, spôsobí, že aj kovové súčiastky náradia sa dostanu pod napätie, čo má za následok zásah elektrickým prúdom.

K upevneniu obrábaného dielu na stabilnom podklade použite skrutkovú zvierku alebo inú praktickú pomôcku. Pridrôzovaním obrábaného dielu rukou alebo jeho pritlačovaním telom sa dielec môže vyšmyknúť a tým môže dôjsť k strate kontroly.

ĎALŠIE BEZPEČNOSTNÉ A PRACOVNÉ POKYNY

Použite ochranné vybavenie. Pri práci s elektrickým náradím používajte vždy ochranné okuliare. Doporučujeme taktiež použitie súčasti ochranného odevu a ochrannej obuvi, ako sú protiprašná maska, ochranné rukavice, pevná a nekľzajúca obuv, ochranná prilba a ochrana sluchu.

Prach vznikajúci pri práci môže byť škodlivý zdraviu. Pri práci nosiť vhodnú ochrannú masku, aby sa nedostal do ľudského organizmu.

Nesmú sa opracovávať materiály, ktoré môžu spôsobiť ohrozenie zdravia (napr. azbest)

Pri zablokovaní nasadeného nástroja prístroj okamžite vypnite! Prístroj nezapínajte, pokiaľ je nasadený nástroj zablokovaný; mohol by pri tom vzniknúť spätný náraz s vysokým reakčným momentom. Príčinu zablokovania nasadeného nástroja zistíte a odstránite so zohľadnením bezpečnostných pokynov.

Možnými príčinami môžu byť:

- spriečenie v opracovávanom obrobku
- prelomenie opracovávaného materiálu
- preťaženie elektrického prístroja

Nezasahujte do bežiaceho stroja.

Nasadený nástroj sa počas používania môže rozhorúčiť.

POZOR! Nebezpečenstvo popálenia

CE - VYHLÁSENIE KONFORMITY

Výhradne na vlastnú zodpovednosť vyhlasujeme, že výrobok popísaný v "Technických údajoch" sa zhoduje so všetkými relevantnými predpismi smernice 2011/65/EU (RoHS), 2014/30/EU, 2006/42/EC a nasledujúcimi harmonizujúcimi normatívnymi dokumentmi:

EN 62841-1:2015
EN 62841-2-11:2016
EN 55014-1:2017
EN 55014-2:2015
EN IEC 63000:2018

Winnenden, 2019-02-13

Alexander Krug

Alexander Krug
Managing Director



Spĺnomocnený zostaviť technické podklady.

Techtronic Industries GmbH
Max-Eyth-Straße 10
71364 Winnenden
Germany

POUŽITIE PODĽA PREDPISOV

ŠablŔovitá píla pili drevo, plast a kov. Píli priamky, krivky a vnútorné výrezy. Reže rúry a plošne oddeľuje.

Tento prístroj sa smie používať len v súlade s uvedenými predpismi.

ELEKTRICKÁ BRZDA

Pri uvoľnení spínacieho tlačidla elektrická brzda behom cca 2 sekúnd zastaví pilový list. Elektrická brzda však môže účinkovať s časovým spozdením. Pokiaľ elektrická brzda opakovane zlyhá, musí sa píla odniesť do autorizovaného servisu Milwaukee.

Pílu z rezaného dielu vyberte až po zastavení pilového listu.

AKUMULÁTORY

Dlhší čas nepoužívané výmenné akumulátory pred použitím dobíť.

Teplota vyššia ako 50°C znižuje výkon výmenného akumulátora. Zabráňte dlhšiemu ohriatiu slnkom alebo kúrením.

Pripájacie kontakty na nabíjacom zariadení a výmennom akumulátore udrôzovať čisté.

K zachováni optimálnej životnosti se baterie musejí po použití vždy úplne dobit.

K zabezpečeniu dlhej životnosti by sa akumulátory mali po nabití vybrať z nabíjačky.

Pri skladovaní akumulátora po dobu dlhšiu než 30 dní:

Skladujte akumulátor v suchu pri cca 27°C.

Skladujte akumulátor pri cca 30%-50% nabíjacej kapacity.

Opakujte nabíjanie akumulátora každých 6 mesiacov.

OCHRANA PROTI PREŤAŽENIU AKUMULÁTORA

Pri preťaženi akumulátora príliš vysokým odoberom prúdu, napríklad pri extrémne vysokých točivých momentoch, pri blokovaní, náhnom zastavení alebo skrate, začne vrtáčka na 2 sekundy hučať a potom sa samočinne vypne.

K opätovnému zapnutiu uvoľnite spínacie tlačidlo a potom ho opäť zapnite.

Pri extrémnom zaťažení sa akumulátor môže silne zahriať. Ak k tomu dôjde, akumulátor sa vypne.

PREPRAVA LÍTIOVO-IÓNŔOVÝCH BATÉRIÍ

Lítiovo-iónové batérie podľa zákonných ustanovení spadajú pod prepravu nebezpečného nákladu.

Preprava týchto batérií sa musí realizovať s dodržiavaním lokálnych, vnútroštátnych a medzinárodných predpisov a ustanovení.

- Spotrebiteľia môžu tieto batérie bez problémov prepravovať po cestách.
- Komerčná preprava lítiovo-iónových batérií prostredníctvom špedičných firiem podlieha ustanoveniam o preprave nebezpečného nákladu. Prípravu k vyexpedovaniu a samotnú prepravu smú vykonávať iba adekvátne vyškolené osoby. Na celý proces sa musí odborné dohliadať.

Pri preprave batérií treba dodrôzovať nasledovne:

- Zabezpečte, aby boli kontakty chránené a izolované, aby sa zamedzilo skratom.
- Dávajte pozor na to, aby sa zväzok batérií v rámci balenia nemohol zošmyknúť.
- Poškodené a vytečené batérie sa nesmú prepravovať.

Kvôli ďalším informáciám sa obráťte na vašu špedičnú firmu.

ÚDRZBA

Veľtracie otvory udrôzovať stále v čistote.

Používať len Milwaukee príslušenstvo a Milwaukee náhradné diely. Súčiastky bez návodu na výmenu treba dat vymeniť v jednom z Milwaukee zákazníckych centier (viď broôzúru Záruka/Adresy zákazníckych centier).

V prípade potreby si môžete v servisnom centre pre zákazníkov alebo priamo od firmy Techtronic Industries GmbH, Max-Eyth-Straße 10, 71364 Winnenden, Nemecko, vyžiadať schematický náčres jednotlivých dielov prístroja pri uvedení typu prístroja a šestmiestneho čísla na vykonovom štítku.

SYMBOLY

	POZOR! NEBEZPEČENSTVO!
	Pred každou prácou na stroji výmenný akumulátor vytiahnuť.
	Pred prvým použitím prístroja si pozorne prečítajte návod na obsluhu.
	Pri práci so strojom vždy noste ochranné okuliare
	Príslušenstvo - nie je súčasťou štandardnej výbavy, odporúčané doplnenie z programu príslušenstva.
	Elektrické zariadenia, batérie/akumulátory sa nesmú likvidovať spolu s odpadom z domácnosti. Elektrické zariadenia, batérie/akumulátory treba zbierať oddelene a odovzdať ich v recyklačnom podniku na ekologickú likvidáciu. Na miestnych úradoch alebo u vašo špecializovaného predajcu sa spýťajte na recyklačné podniky a zberné dvory.
	Počet zdvihov naprázdno
	Napätie
	Jednosmerný prúd
	Značka zhody v Európe
	Značka zhody na Ukrajine
	Značka zhody pre oblasť Eurázie

DANE TECHNICZNE	PILARKA SZABLASTA AKUMULATOROWA	C 18 HZ
Numer produkcyjny	4526 65 03 ...	
.....	4467 30 03 ...	
.....	4313 78 03 ...	
.....	...000001-999999	
Napięcie baterii akumulatorowej	18 V	
Skok bez obciążenia	0-3000 min ⁻¹	
Długość skoku	20 mm	
Ciężar wg procedury EPTA 01/2014 (1,5 Ah)	2,2 kg	
Ciężar wg procedury EPTA 01/2014 (3,0 Ah)	2,5 kg	
Zalecana temperatura otoczenia w trakcie pracy	-18...+50 °C	
Zalecane rodzaje akumulatora	M18B ...	
Zalecane ładowarki	M12-18C, M12-18AC, M12-18FC, M1418C6	

Informacja dotycząca szumów/wibracji

Zmierzone wartości wyznaczone zgodnie z normą EN 62841. Typowy poziom ciśnienia akustycznego mierzony wg krzywej A:

• Poziom ciśnienia akustycznego (Niepewność K=3dB(A))	81 dB (A)
• Poziom mocy akustycznej (Niepewność K=3dB(A))	92 dB (A)

Należy używać ochroniaczy uszu!

Wartości łączne drgań (suma wektorowa trzech kierunków) wyznaczone zgodnie z normą EN 62841

Wartość emisji drgań a	
Przecinanie belek drewnianych *	7,2 m/s ²
Niepewność K	1,5 m/s ²

* z brzeszczotem piły bimetal, wymiary 150 x 1,25 mm i podziałka piły 5 mm

OSTRZEŻENIE

Podany w niniejszych instrukcjach poziom drgań został zmierzony za pomocą metody pomiarowej zgodnej z normą EN 62841 i może być użyty do porównania ze sobą elektronarzędzi. Nadaje się on również do tymczasowej oceny obciążenia wibracyjnego.

Podany poziom drgań reprezentuje główne zastosowania elektronarzędzia. Jeśli jednakże elektronarzędzie użyte zostanie do innych celów z innymi narzędziami roboczymi lub nie jest dostatecznie konserwowane, wtedy poziom drgań może wykazywać odchylenia. Może to wyraźnie zwiększyć obciążenie wibracjami przez cały okres pracy.

Dla dokładnego określenia obciążenia wibracjami należy uwzględnić również czas, w których urządzenie jest wyłączone względnie jest włączone, lecz w rzeczywistości nie pracuje. Może to spowodować wyraźną redukcję obciążenia wibracyjnego w całym okresie pracy.

Należy wprowadzić dodatkowe środki zapobiegawcze celem ochrony obsługującego przed oddziaływaniem drgań, jak na przykład: konserwacja narzędzi roboczych i elektronarzędzi, nagranie rąk, organizacja przebiegu pracy.

⚠ OSTRZEŻENIE! Należy przeczytać wszystkie wskazówki bezpieczeństwa, instrukcje, opisy i specyfikacje dotyczące tego elektronarzędzia. Zaniedbania w przestrzeganiu poniższych wskazówek mogą spowodować porażenie prądem, pożar i/lub ciężkie obrażenia ciała.

⚠ WSKAZÓWKI DOTYCZĄCE BEZPIECZEŃSTWA DLA PIŁ SZABLASTYCH

Trzymaj urządzenie za izolowane powierzchnie chwytne gdy wykonujesz roboty, w trakcie których narzędzie skrawające może natrzeć na ukryte przewody prądowe. Kontakt z przewodami pod napięciem wprowadza również metalowe części urządzenia pod napięcie i prowadzi do porażenia prądem.

Użyć śrubowego ściśku stolarskiego lub innego praktycznego przyrządu, aby zamocować obrabiany przedmiot do stabilnej podstawy. Na skutek trzymania obrabianego przedmiotu w ręce lub dociskania go własnym ciałem obrabiany przedmiot może się wysunąć, co może prowadzić do utraty kontroli nad nim.

DODATKOWE WSKAZÓWKI BEZPIECZEŃSTWA I INSTRUKCJE ROBOCZE

Stosować wyposażenie ochronne. Przy pracy maszyną zawsze nosić okulary ochronne. Zalecana jest odzież ochronna, jak maska pyłochronna, rękawice ochronne, moone i chroniące przed poślizgiem obuwie, kask i ochronniki słuchu.

Kurz powstający przy pracy z tym elektronarzędziem może być szkodliwy dla zdrowia, w związku z tym nie powinien dotrzeć do ciała. Nosić odpowiednią maskę przeciwpyłową.

Nie wolno obrabiać materiałów, które mogą być przyczyną zagrożenia zdrowia (na przykład azbestu).

W przypadku zablokowania narzędzia nasadzanego należy natychmiast wyłączyć urządzenie! Nie należy ponownie włączyć urządzenia tak długo, jak długo narzędzie nasadzone jest zablokowane; przy tym mogłyby powstać odrzut zwrotny o dużym momencie reakcyjnym. Należy wykryć i usunąć przyczynę zablokowania narzędzia nasadzanego uwzględniając wskazówki dotyczące bezpieczeństwa.

Możliwymi przyczynami tego mogą być:

- Skośne ustawienie się w poddawany obróbkę przedmiocie obrabianym
- Przerwanie materiału poddawane obróbkę
- Przełączenie narzędzia elektrycznego

Nie należy sięgać do wnętrza maszyny będącej w ruchu.

Narzędzie nasadzone może w trakcie użytkowania stać się gorące.

OSTRZEŻENIE! Niebezpieczeństwo oparzenia się

- przy wymianie narzędzia
- przy odstawianiu urządzenia

Podczas pracy elektronarzędzia nie wolno usuwać trocin ani drzazg.

EN 62841-1:2015
EN 62841-2-11:2016
EN 55014-1:2017
EN 55014-2:2015
EN IEC 63000:2018

Winnenden, 2019-02-13

Alexander Krug

Alexander Krug
Managing Director



Upelnomocniony do zestawienia danych technicznych

Techtronic Industries GmbH
Max-Eyth-Straße 10
71364 Winnenden
Germany

WARUNKI UŻYTKOWANIA

Przenośna piła ręczna z napędem elektrycznym do cięcia drewna, tworzyw sztucznych i metalu. Możliwość cięcia po linii krzywej i obcinania równo z powierzchnią.

Produkt można użytkować wyłącznie zgodnie z jego normalnym przeznaczeniem.

HAMULEC ELEKTRYCZNY

Po zwolnieniu przycisku wyłącznika brzeszczot piły zostanie zatrzymany za pomocą hamulca elektrycznego w przeciągu ok. 2 sekund. Hamulec elektryczny może działać również z pewnym opóźnieniem. Czasami hamulec elektryczny może nie zadziałać. Jeśli hamulec elektryczny nie działa częściej, pilarkę należy przekazać do autoryzowanego serwisu firmy Milwaukee.

Pilarkę można wyciągnąć z obrabianego przedmiotu dopiero po zatrzymaniu brzeszczotu.

BATERIE AKUMULATOROWE

Akumulatory, które nie były przez dłuższy czas użytkowane, należy przed użyciem naładować.

W temperaturze powyżej 50°C następuje spadek osiągniętych wkladki akumulatorowej. Unikać długotrwałego wystawienia na oddziaływanie ciepła lub promieni słonecznych (niebezpieczeństwo przegrzania).

Styki ładowarek i wkładek akumulatorowych należy utrzymywać w czystości

W celu zagwarantowania optymalnej żywotności należy po zakończonej eksploatacji naładować akumulatory do pełna.

Dla zapewnienia możliwie długiej żywotności akumulatory należy wyjąć z ładowarki po ich naładowaniu.

W przypadku składowania akumulatorów dłużej aniżeli 30 dni: Przechowywać je w suchym miejscu w temperaturze ok. 27°C. Przechowywać je w stanie naładowanym do ok. 30% - 50%. Ładować je ponownie co 6 miesięcy.

Dla zapewnienia możliwie długiej żywotności akumulatory należy wyjąć z ładowarki po ich naładowaniu.

W przypadku składowania akumulatorów dłużej aniżeli 30 dni: Przechowywać je w suchym miejscu w temperaturze ok. 27°C. Przechowywać je w stanie naładowanym do ok. 30% - 50%. Ładować je ponownie co 6 miesięcy.

ZABEZPIECZENIE PRZECIĄŻENIOWE AKUMULATORA

Przy przeciążeniu akumulatora bardzo dużym prądem na przykład wskutek ekstremalnie dużych momentów obrotowych, zakleszczenia, nagłego zatrzymania się lub zwarcia narzędzie elektryczne 'buczy' przez 2 sekundy i samoczynnie wyłącza się. W celu ponownego włączenie należy zwolnić, a następnie ponownie włączyć przycisk wyłącznika.

Pod ekstremalnymi obciążeniami może dojść do silnego nagrzania się akumulatora. W takim wypadku akumulator wyłącza się.

TRANSPORT AKUMULATORÓW LITOWO-JONOWYCH

Akumulatory litowo-jonowe podlegają ustawowym przepisom dotyczącym transportu towarów niebezpiecznych.

Transport tych akumulatorów winien odbywać się przy przestrzeganiu lokalnych, krajowych i międzynarodowych rozporządzeń i przepisów.

- Odbiorcom nie wolno transportować tych akumulatorów po drogach o tak po prostu.
- Komercyjny transport akumulatorów litowo-jonowych przez przedsiębiorstwa spedycyjne podlega przepisom dotyczącym transportu towarów niebezpiecznych. Przygotowania do

wysyłki oraz transport mogą być wykonywane wyłącznie przez odpowiednio przeszkolone osoby. Cały proces winien odbywać się pod fachowym nadzorem.

W czasie transportu akumulatorów należy przestrzegać następujących punktów:

- Celem uniknięcia zwarcia należy upewnić się, że zestyki są zabezpieczone i zaizolowane.
- Zwracać uwagę na to, aby zespół akumulatorów nie mógł się przemieszczać we wnętrzu opakowania.
- Nie wolno transportować akumulatorów uszkodzonych lub z wyciekającym z elektrolitem.

Odnosnie dalszych wskazań należy zwrócić się do swojego przedsiębiorstwa spedycyjnego.

UTRZYMANIE I KONSERWACJA

Otwory wentylacyjne elektronarzędzia muszą być zawsze drożne.

Używać tylko i wyłącznie wyposażenia dodatkowego Milwaukee i części zamiennych Milwaukee. Gdyby trzeba było wymienić części, które nie zostały opisane, należy skontaktować się z przedstawicielem serwisu Milwaukee (patrz wykaz adresów punktów usługowych/gwarancyjnych).

W razie potrzeby można zamówić rysunek urządzenia w rozłożeniu na części podając typ maszyny oraz sześciocyfrowy numer na tabliczce znamionowej w Punkcie Obsługi Klienta lub bezpośrednio w firmie Techtronic Industries GmbH, Max-Eyth-Straße 10, 71364 Winnenden, Germany.

SYMBOLY

	UWAGA! OSTRZEŻENIE NIEBEZPIECZEŃSTWO!
	Przed przystąpieniem do jakichkolwiek prac na elektronarzędziu należy wyjąć wkładkę akumulatorową.
	Przed uruchomieniem elektronarzędzia zapoznać się uważnie z treścią instrukcji.
	Podczas pracy należy zawsze nosić okulary ochronne.
	Wyposażenie dodatkowe dostępne osobno.
	Urządzenia elektryczne, baterie/akumulatory nie mogą być usuwane razem z odpadami pochodzącymi z gospodarstw domowych. Urządzenia elektryczne i akumulatory należy gromadzić oddzielnie i w celu usuwania ich do odpadów zgodnie z wymaganiami środowiska naturalnego oddawać do przedsiębiorstwa utylizacyjnego.
	Proszę zasięgnąć informacji o centrach recyklingowych i punktach zbiorczych u władz lokalnych lub u wyspecjalizowanego dostawcy.
	Skok bez obciążenia
	Napięcie
	Prąd stały
	Europejski Certyfikat Zgodności
	Ukraiński Certyfikat Zgodności
	Euroazjatycki Certyfikat Zgodności

MŰSZAKI ADATOK	AKKUMULÁTOROS SZABLYAFŰRÉS Z	C 18 HZ
Gyártási szám.....	4526 65 03...	
.....	4467 30 03.....	
.....	4313 78 03.....	
.....	...000001-999999	
Akkumulátor feszültség.....	18 V	
Üresjáratú löketség.....	0-3000 min ⁻¹	
Lökethossz.....	20 mm	
Súly a 01/2014 EPTA-eljárás szerint. (1,5 Ah).....	2,2 kg	
Súly a 01/2014 EPTA-eljárás szerint. (3,0 Ah).....	2,5 kg	
Ajánlott környezeti hőmérséklet munkavégzésnél.....	-18...+50 °C	
Ajánlott akkutípusok.....	M18B...	
Ajánlott töltőkészülékek.....	M12-18C, M12-18AC, M12-18FC, M1418C6	

Zaj-/Vibráció-információ

A közölt értékek megfelelnek az EN 62841 szabványnak.

Szabvány szerinti A-értékelésű hangszint:

Hangnyomás szint (K bizonytalanság=3dB(A)).....81 dB (A)

Hangteljesítmény szint (K bizonytalanság=3dB(A)).....92 dB (A)

Hallásvédő eszköz használata ajánlott!

Összesített rezgésértékek (három irány vektorialis összege) az EN

62841-nek megfelelően meghatározva.

a rezgésemisszió érték

Fágerendák fűrészelése *.....7,2 m/s²

K bizonytalanság.....1,5 m/s²

* bimetal fűrészlappal, méret: 150 x 1,25 mm és 5 mm-es fogosztás

FIGYELMEZTETÉS

A jelen utasításokban megadott rezgésszint értéke az EN 62841-ben szabályozott mérési eljárásnak megfelelően került lemérésre, és használható elektromos szerszámokkal történő összehasonlításhoz. Az érték alkalmas a rezgésterhelés előzetes megbecsülésére is.

A megadott rezgésszint-érték az elektromos szerszám legfőbb alkalmazásait reprezentálja. Ha az elektromos szerszámot azonban más alkalmazásokhoz, eltérő használt szerszámokkal vagy nem elegendő karbantartással használják, a rezgésszint értéke eltérő lehet. Ez jelentősen megnövelheti a rezgésterhelést a munkavégzés teljes időtartama alatt.

A rezgésterhelés pontos megbecsüléséhez azokat az időket is figyelembe kell venni, melyekben a készülék lekapcsolódik, vagy ugyan működik, azonban ténylegesen nincs használatban. Ez jelentősen csökkentheti a rezgésterhelést a munkavégzés teljes időtartama alatt.

Határozzon meg további biztonsági intézkedéseket a kezelő védelmére a rezgések hatása ellen, például: az elektromos és a használt szerszámok karbantartásával, a kezek melegen tartásával, a munkafolyamatok megszervezésével.

▲ FIGYELMEZTETÉSI Olvassa el az elektromos kéziszerszámra vonatkozó összes biztonsági útmutatást, utasítást, ábrát és specifikációt.

A következőkben leírt utasítások betartásának elmulasztása áramütésekhez, tűzhoz és/vagy súlyos testi sérülésekhez vezethet.

▲ ORRFŰRÉSZEKRE VONATKOZÓ BIZTONSÁGI ÚTMUTATÁSOK

A készüléket a szigetelt markolatfelületeket fogva tartsa, ha olyan munkálatokat végez, melyeknél a vágószerszám rejtett elektromos vezetékébe. Ha a berendezés egy feszültség alatt álló vezetékhöz ér, a berendezés fémrészei szintén feszültség alá kerülhetnek és áramütéshez vezethetnek.

A munkadarab stabil aljzathoz rögzítéséhez használjon csavaros szorítókat vagy más praktikus segédeszközöket. A munkadarab kézzel történő megtartásával vagy testtel történő ellentartása következtében a munkadarab elcsúszhat, és ez a kontroll elvesztéséhez vezethet.

TOVÁBBI BIZTONSÁGI ÉS MUNKAVÉGZÉSI UTASÍTÁSOK

Használjon védőfelszerelést! Ha a gépen dolgozik, mindig hordjon védőszemüveget! Javasoljuk a védőruházat, úgymint porvédő maszk, védőcipő, erős és csúszásbiztos lábbeli, sisak és hallásvédő használatát.

A munka során keletkező por gyakran egészségre káros, ezért nem kerüljön a szervezetbe

Hordjon e célra alkalmas porvédőmaszkot.

Nem szabad olyan anyagokat megmunkálni, amelyek egészségre veszélyesek (pl. azbeszét).

A betétszerszám elakadásakor azonnal ki kell kapcsolni a készüléket! Addig ne kapcsolja vissza a készüléket, amíg a betétszerszám elakadása fennáll; ennek során nagy elennyomatékú visszarúgás történhet. Határozza és szüntesse meg a betétszerszám elakadásának okát a biztonsági útmutatások betartása mellett.

Ennek következők lehetnek az okai:

- a szerszám elakad a megmunkáláandó munkadarabban
- a megmunkáláandó anyag átszakadt
- az elektromos szerszám túlterhelése

Ne nyúljon a járó gépbe.

A betétszerszám az alkalmazás során felforrósodhat.

FIGYELMEZTETÉS! Egési sérülések veszélye

- szerszámcserék

- a készülék lerakásakor

A munka közben keletkezett forgácsokat, szilánkokat, törmelékét, stb. csak a készülék teljes leállása után szabad a munkaterületről eltávolítani.

Falban, födémbe, aljzatban történő fúrásnál fokozottan ügyelni kell az elektromos-, víz- és gázvezetésekre.

Biztosítsa a munkadarabot befogó szerkezettel. A nem biztosított munkadarabok súlyos sérüléseket és károkat okozhatnak.

Tilos repedt vagy deformált fűrészlapot használni!

Ún. sülyesztő vágás készítése csak puha anyagba (pl. fa, könnyű falazóanyagok). Kemény anyagok esetében (fémek) egy, a fűrészlap méretének megfelelő fúratot kell készíteni.

Karbantartás, javítás, tisztítás, stb. előtt az akkumulátort ki kell venni a készülékből.

A használt akkumulátort ne dobja tűzbe vagy a háztartási személtbe.

Tájékozódjon a szakszerű megsemmisítés helyi lehetőségeiről.

Az akkumulátort ne tárolja együtt fém tárgyakkal. (Rövidzárlat veszélye).

Ügyeljen arra, hogy a töltő aknájába ne kerüljön semmilyen fém tárgy, mert ez rövidzárlatot okozhat.

Az "18 V" elnevezésű rendszerhez tartozó akkumulátorokat kizárólag a rendszerhez tartozó töltővel töltsse fel. Ne használjon más rendszerbe tartozó töltőt.

Az akkumulátort, töltőt nem szabad megbontani és kizárólag száraz helyen szabad tárolni. Nedvességtől óvni kell.

Akkumulátor sav folyhat a sérült akkumulátorból extrém terhelés alatt, vagy extrém hő miatt. Ha az akkumulátor sav a bőrére kerül azonnal mossa meg szappanos vízzel. Szembe kerülés esetén folyóvíz alatt tartsa a szemét minimum 10 percig és azonnal forduljon orvoshoz.

Figyelmeztetés! A rövidzárlat általi tűz, sérülések vagy termékárosodások veszélye elkerülésére ne merítse a szerszámot, a cserélhető akkut vagy a töltőkészüléket folyadékba, és gondoskodjon arról, hogy ne hatoljanak folyadékok a készülékekbe és az akkuba. A korrozív hatású vagy vezetőképes folyadékok, mint pl. a sós víz, bizonyos vegyi anyagok, fehérítők vagy fehérítő tartalmú termékek, rövidzárlatot okozhatnak.

CE-AZONOSSÁGI NYILATKOZAT

Egyedüli felelősséggel kijelentjük, hogy a "Műszaki Adatok" alatt leírt termék a 2011/65/EU (RoHS), 2014/30/EU, 2006/42/EK irányelvek minden releváns előírásának, ill. az alábbi harmonizált normatív dokumentumoknak megfelel:

EN 62841-1:2015
EN 62841-2-11:2016
EN 55014-1:2017
EN 55014-2:2015
EN IEC 63000:2018

Winnenden, 2019-02-13



Alexander Krug
Managing Director



Műszaki dokumentáció összeállításra felhatalmazva

Techtronic Industries GmbH
Max-Eyth-Straße 10
71364 Winnenden
Germany

RENDELTESSZERŰ HASZNÁLAT

Az orrfűrész fa, műanyag és fém fűrészeléséhez használható. Egyenes, kanyar és belső kivágások készítésére alkalmas. A fűrészsel csöveket lehet elvágni, illetve a felüléskir darabolást lehet végezni.

A készüléket kizárólag az alábbiakban leírtaknak megfelelően szabad használni.

ELEKTROMOS FÉK

A kapcsológomb elengedésekor az elektromos fék kb. 2 másodpercen belül leállítja a fűrészlapot. Azonban az elektromos fék hatása késleltetett is lehet. Az elektromos fék alkalomadtán nem hatásos. Amennyiben az elektromos fék gyakrabban nem működik, akkor a fűrészst arra felhatalmazott Milwaukee szervize kell szállítani.

A fűrészst csak a fűrészlap leállása után húzza ki a munkadarabból.

AKKUK

A hosszabb ideig üzemben kívül lévő akkumulátort használat előtt ismételtelen fel kell tölteni.

50 °C feletti hőmérsékletnél csökkenhet az akkumulátor teljesítménye. Kerülni kell a túlzottan meleg helyen vagy napon történő hosszabb idejű tárolást.

A töltő és az akkumulátor csatlakozóit mindig tisztán kell tartani.

Az optimális élettartam érdekében használat után az akkukat teljesen fel kell tölteni.

A lehetőleg hosszú élettartamhoz az akkukat feltöltés után ki kell venni a töltőkészülékből.

Az akku 30 napot meghaladó tárolása esetén:
Az akkut kb. 27 °C-on, száraz helyen kell tárolni.
Az akkut kb. 30-50%-os töltöttségi állapotban kell tárolni.
Az akkut 6 havonta újra fel kell tölteni.

AZ AKKUMULÁTOR TÚLTERHELÉS ELLENI VÉDELME

Az akku túl magas áramfogyasztás miatti, pl. túl nagy forgatónyomatékok, megszorulása, hirtelen leállítás következtében fellépő túlterhelése esetén az elektromos szerszám 2 másodpercig zűg, és önműködően lekapcsol. Az újbóli bekapcsoláshoz el kell engedni a kapcsolóbillentyűt, majd ismét be kell kapcsolni. Extrém mértékű terhelés esetén az akku erősen felforrósodhat. Ebben az esetben az akku lekapcsol.

LÍTIUM-ION AKKUK SZÁLLÍTÁSA

A lítium-ion akkuk a veszélyes áruk szállítására vonatkozó törvényi rendelkezések hatálya alá tartoznak.

Az ilyen akkuk szállításának a helyi, országos és nemzetközi előírások és rendelkezések betartása mellett kell történnie.

- A fogyasztók minden további nélkül szállíthatják az ilyen akkukat közúton.
- A lítium-ion akkuk szállítmányozási vállalatok általi kereskedelmi célú szállítására a veszélyes áruk szállítására vonatkozó rendelkezések érvényesek. A kiszállítás előkészítését és a szállítást kizárólag megfelelő képzétségű személyek végezhetik. A teljes folyamatnak szakmai felügyelet alatt kell történnie.

A következő pontokat kell figyelembe venni akkuk szállításakor:

- Biztosítsa, hogy a rövidzárlatok elkerülése érdekében az érintkezők védve és szigetelve legyenek.
- Ügyeljen arra, hogy az akkusomag ne tudjon elcsúszni a csomagolásán belül.
- Tilos sérült vagy kifolyt akkukat szállítani.

További útmutatásokért forduljon szállítványozási vállalatához.

KARBANTARTÁS

A készülék szellőzőnyílásait mindig tisztán kell tartani.

Csak Milwaukee tartozékokat és Milwaukee pótalkatrészeket szabad használni. Az olyan elemeket, melyek cseréje nincs ismertve, cseréltesse ki Milwaukee szervizzel (lásd Garancia/Ügyfélszolgálat címei kiadványt).

Igény esetén a készülékről robbantott rajz kérhető a géptípus és a teljesítménycímként található hatjegyű szám megadásával az Ön vevőszolgálatánál, vagy közvetlenül a Techtronic Industries GmbH-től a Max-Eyth-Straße 10, 71364 Winnenden, Németország címen.

SZIMBÓLUMOK



FIGYELEM! FIGYELMEZTETÉS! VESZÉLY!



Karbantartás, javítás, tisztítás, stb. előtt az akkumulátort ki kell venni a készülékből.



Kérjük alaposan olvassa el a tájékoztatót mielőtt a gépet használja.



Munkavégzés közben ajánlatos védőszemüveget viselni.



Azokat a tartozékokat, amelyek gyárilag nincsenek a készülékhez mellékelve, külön lehet megrendelni.



Az elektromos eszközöket, elemeket/akkukat nem szabad a háztartási hulladékkal együtt ártalmatlanítani. Az elektromos eszközöket és akkukat szelektívén kell gyűjteni, és azokat környezetbarát ártalmatlanítás céljából hulladékhasznosító üzemben kell leadni. A helyi hatóságoknál vagy szakkereskedőjénél tájékozódjon a hulladékudvarokról és gyűjtőhelyekről.



Üresjáratú löketség



Feszültség



Egyenáram



Európai megfelelőségi jelölés



Ukrán megfelelőségi jelölés



Eurázsiai megfelelőségi jelölés

TEHNIČNI PODATKI	BATERIJSKE ŽAGE LISIČJI REP	C 18 HZ
Proizvodna številka.....	4526 65 03...	4467 30 03...
.....	4313 78 03...000001-999999
Napetost izmenljivega akumulatorja.....	18 V	
Število dvigov v prostem teku.....	0-3000 min ⁻¹	
Višina dviga.....	20 mm	
Teža po EPTA-proceduri 01/2014 (1,5 Ah).....	2,2 kg	
Teža po EPTA-proceduri 01/2014 (3,0 Ah).....	2,5 kg	
Priporočena temperatura okolice pri delu.....	-18...+50 °C	
Priporočene vrste akumulatorskih baterij.....	M18B...	
Priporočeni polnilniki.....	M12-18C, M12-18AC, M12-18FC, M1418C6	

Informacije o hrupnosti/vibracijah

Vrednosti merjenja ugotovljene ustrezno z EN 62841.

A ocenjeni nivo zvočnega tlaka znaša tipično

Nivo zvočnega tlaka (Nevarnost K=3dB(A)).....	81 dB (A)
Višina zvočnega tlaka (Nevarnost K=3dB(A)).....	92 dB (A)

Nosite zaščito za sluhi!

Skupna vibracijska vrednost (Vektorska vsota treh smeri) določena ustrezno EN 62841.

Vibracijska vrednost emisij a_h

Žaganje lesenih tramov *1.....	7,2 m/s ²
Nevarnost K.....	1,5 m/s ²

* z žaginim listom bimetal, velikost 150 x 1,25 mm ter razporeditvijo zob 5 mm

OPOZORILO

V teh navodilih navedena raven treslajev je bila izmerjena po EN 62841 normiranem merilnem postopku in lahko služi medsebojni primerjavi električnih orodij. Prav tako je primeren za predhodno oceno obremenitve s treslaji.

Navedena raven treslajev navaja najpomembnejše vrste rabe električnega orodja. Kadar se električno orodje uporablja za drugačne namene, z odstopajočimi orodji ali pa z nezadostnim vzdrževanjem, lahko raven treslajev tudi odstopa. Le to lahko čez celoten delovni čas znatno zviša obremenitev s tresenjem.

Za natančno oceno obremenitve s treslaji naj bi se upošteval tudi čas v katerem je naprava izklopljena ali sicer teče, vendar dejansko ni v rabi. Le to lahko obremenitev s treslaji čez celoten delovni čas znatno zmanjša.

Za zaščito upravljalca pred učinkom treslajev uvedite dodatne zaščitne ukrepe npr.: Vzdrževanje električnih orodja in orodja, delo s toplimi rokami, organizacija delovnih potočkov.

! OPOZORILO! Preberite vsa varnostna opozorila in navodila, prikaze in specifikacije tega električnega orodja. Zakasnelo upoštevanje sledečih navodil lahko povzroči električni udar, požar in/ali težke poškodbe.

! VARNOSTNA OPOZORILO ZA SABLJASTE ŽAGE

Kadar izvajate dela pri katerih lahko orodje zadane prikrito električno napeljavno, je napravo potrebno držati za izolirane prijemalne površine. Stik z električnim vodnikom, ki je pod napetostjo, povzroči napetost tudi v kovinskih delih naprave, kar ima za posledico električni udar.

Za pritruditev obdelovanca na stabilno podlago uporabite prireže ali druge praktične pripomočke. Pri držanju obdelovanca v roki ali pri pritiskanju s telesom ob delovanec, lahko le ta zdrsrne, kar lahko privede do izgube nadzora

NADALJNA VARNOSTNA IN DELOVNA OPOZORILO

Uporabite zaščitno opremo. Pri delu s strojem vedno nosite zaščitna očala. Priporočajo se zaščitna oblačila, kot npr. maska za zaščito proti prahu, zaščitne rokavice, trdno in neдрseče obuvanje, čelada in zaščita za sluhi.

Prah, ki nastaja pri delu, je pogosto zdravju škodljiv in naj ne zaide v telo. Nosite ustrezno masko proti prahu.

Obdelava materialov, iz katerih izhaja ogroženost zdravja (npr. azbest), ni dovoljena.

V primeru blokade orodja napravo takoj izklopite! Naprave ponovno ne vklaplajte dokler je orodje blokirano; pri tem bi lahko prišlo do povratnega udara z velikim reakcijskim momentom. Ugotovite in odpravite vzroke blokade orodja ob upoštevanju varnostnih navodil.

Možni razlogi so lahko:

- Zagozditve v obdelovancu
- prežganje obdelovanega materiala
- Preobremenitev električnega orodja

Ne segajte v stroj v teku.

Orodje lahko med uporabo postane vroče.

OPOZORILO! Nevarnost opeklin

- pri menjavi orodja
- pri odlaganju naprave

Trske ali iveri se pri tekočem stroju ne smejo odstranjevati.

EN 62841-1:2015
EN 62841-2:11:2016
EN 55014-1:2017
EN 55014-2:2015
EN IEC 63000:2018

Winnenden, 2019-02-13

Alexander Krug

Alexander Krug
Managing Director



Pooblaščen za izdelavo spisov tehnične dokumentacije.

Techtronic Industries GmbH
Max-Eyth-Straße 10
71364 Winnenden
Germany

UPORABA V SKLADU Z NAMEDNOSTJO

Sabljasta žaga žaga les, umetno maso in kovino. Reže naravnost, zajere in notranje izreze. Žaga cevi in ločuje s ploskim robom.

Ta naprava se sme uporabiti samo v skladu z namembnostjo uporabiti samo za navede namene.

ELEKTRIČNA ZAVORA

Pri izpustu pritisnega stikala se žagin list v ca. 2 sekundah s pomočjo električne zavore ustavi. Vendar lahko zavora učinkuje tudi zakasnjeno. Električna zavora včasih ni učinkovita. V kolikor električna zavora pogosteje ne bi učinkovala, je žago potrebno odnesti v avtoriziran Milwaukee servis. Žago izvlečemo iz obdelovanca šele po zaustavitvi žaginega lista.

AKUMULATORJI

Izmenljive akumulatorje, ki jih daljši čas niste uporabljali, pred uporabo naknadno napolnite.

Temperatura nad 50°C zmanjšuje zmogljivost izmenljivega akumulatorja. Izogibajte se daljšemu segrevanju zaradi sončnih žarkov ali gretja.

Pazite, da ostanje priključni kontakti na polnilnem aparatu in izmenljivem akumulatorju čisti.

Za optimalno življenjsko dobo je akumulatorje potrebno po uporabi napolniti do konca.

Za čim daljšo življenjsko dobo naj se akumulatorji po napolnitvi vzamejo ven iz naprave za polnjenje.

Pri skladiščenju akumulatorjev dalj kot 30 dni: Akumulator skladiščiti pri 27°C in na suhem. Akumulator skladiščiti pri 30%-50% stanja polnjenja. Akumulator spet napolniti vsakih 6 mesecev.

ZAŠČITA PREOBREMENITVE AKUMULATORJA

V primeru preobremenitve akumulatorjev zaradi zelo visoke porabe toka, npr. ekstremno visokih vrtilnih momentov, zatika, nenadne zaustavitve ali kratkega stika, električno orodje 2 sekundi brni in se samodejno izklopi. Za ponoven vklop izpusite tipko stikala in nato znova vklopite. Pod ekstremnimi obremenitvami se lahko akumulator močno segreje. V tem primeru se akumulator izklopi.

TRANSPORT LITIJ-IONSkih AKUMULATORJEV

Litij-ionski akumulatorji so podvrženi zakonskim določbam transporta nevarnih snovi.

Transport teh akumulatorjev se mora izvajati upoštevajoč lokalne, nacionalne in mednarodne predpise in določbe.

- Potrošniki lahko te akumulatorje še nadalje transportirajo po cesti.
- Komerčni transport litij-ionskih akumulatorjev s strani špediterskih podjetij je podvržen določbam transporta nevarnih snovi. Priprava odpreme in transporta se lahko vrši izključno s strani ustrezno izšolanih oseb. Celoten proces je potrebno strokovno spremljati.

Pri transportu akumulatorjev je potrebno upoštevati sledeče točke:

- V izogib kratkim stikom zagotovite, da bodo kontakti zaščiteni in izolirani.
- Bodite pozorni na to, da paket akumulatorja v notranjosti embalaže ne bo mogel zdrsniti.
- Poškodovanih ali iztekajočih akumulatorjev ni dovoljeno transportirati.

Za nadaljnja navodila se obrnite na vaše špeditersko podjetje.

VZDRŽEVANJE

Pazite na to, da so prezačevalne reže stroja vedno čiste.

Uporabljajte samo Milwaukee pribor in Milwaukee nadomestne dele. Poskrbite, da sestavne dele, katerih zamenjava ni opisana, zamenjajo v Milwaukee servisni službi (upoštevajte brošuro Garancija/Naslovi servisnih služb).

Po potrebi je mogoče pri vašem servisnem mestu ali neposredno pri Techtronic Industries GmbH, Max-Eyth-Straße 10, 71364 Winnenden, Germany, naročiti eksplozijsko risbo naprave ob navedbi tipa stroja in na tablici navedene šestmestne številke.

SIMBOLI

	POZOR! OPOZORILO! NEVARNO!
	Pred vsemi deli na stroji odstranite izmenljivi akumulator.
	Prosimo, da pred uporabo pozorno preberete to navodilo za uporabo.
	Pri delu s strojem vedno nosite zaščitna očala.
	Oprema – ni vsebovana v obsegu dobave, priporočeno dopolnilo iz programa opreme.
	Električnih naprav, baterij/akumulatorjev ni dovoljeno odstranjevati skupaj z gospodinjstvi odpadki. Električne naprave in akumulatorje je potrebno zbirati ločeno in za okolju prijazno odstranitev, oddati podjetju za reciklažo. Pri krajevnem uradu ali vašem strokovnem prodajalcu se pozanimajte glede reciklažnih dvišč in zbirnih mest.
n_n	Število dvigov v prostem teku
V	Napetost
	Enosmerni tok
	Evropska oznaka za združljivost
	Ukrajinska oznaka za združljivost
	Evrazijska oznaka za združljivost

TEHNIČKI PODACI	SABLJASTA PILA SA AKUMULATOROM	C 18 HZ
Broj proizvodnje.....	4526 65 03...	
.....	4467 30 03...	
.....	4313 78 03...	
.....	...000001-999999	
Napon baterije za zamjenu.....	18 V	
Broj hodova praznog hoda.....	0-3000 min ⁻¹	
Visina hoda.....	20 mm	
Težina po EPTA-proceduri 01/2014 (1,5 Ah).....	2,2 kg	
Težina po EPTA-proceduri 01/2014 (3,0 Ah).....	2,5 kg	
Preporučena temperatura okoline kod rada.....	-18...+50 °C	
Preporučeni tipovi akumulatora.....	M18B...	
Preporučeni punjači.....	M12-18C, M12-18AC, M12-18FC, M1418C6	

Informacije o buci/vibracijama

Mjerne vrijednosti utvrđene odgovarajuće EN 62841.
A-procjenjeni nivo pritiska zvuka aparata iznosi tipično

Nivo pritiska zvuka (Nesigurnost K=3dB(A)).....	81 dB (A)
Nivo učinka zvuka (Nesigurnost K=3dB(A)).....	92 dB (A)

Nositi zaštitu sluha!

Ukupne vrijednosti vibracije (Vektor suma tri smjera) su odmjerene odgovarajuće EN 62841

Vrijednost emisije vibracije a _h	
Piljenje drvenih balvana *	7,2 m/s ²
Nesigurnost K.....	1,5 m/s ²

* s listom pile bimetal, dimenzije 150 x 1,25 mm i raspodjelom zuba od 5 mm

UPOZORENIE

Ova u ovim uputama navedena razina titranja je bila izmjerena odgovarajuće jednom u EN 62841 normiranom mjernom postupku i može se upotrijebiti za usporedbu električnog alata međusobno. Ona je prikladna i za privremenu procjenu titrajnog opterećenja.

Navedena razina titranja reprezentira glavne primjene električnog alata. Ukoliko je električni alat upotrebljava u druge svrhe sa odstupajućim primijenjenim alatima ili nedovoljnim održavanjem, onda razina titranja može odstupati. To može titrajno opterećenje kroz cijeli period rada bitno povisiti.

Za točnu procjenu titrajnog opterećenja se moraju uzeti u obzir i vremena u kojima je uređaj isključen ili u kojima doduše radi, ali nije i stvarno u upotrebi. To može titrajno opterećenje bitno smanjiti za vrijeme cijelog radnog perioda.

Utvrđite dodatne sigurnosne mjere za zaštitu poslužioca protiv djelovanja titranja kao npr.: Održavanje električnih alata i upotrebljenih alata, održavanje topline ruku, organizacija i radne postupke.

⚠ UPOZORENIE! Treba pročitati sve napomene o sigurnosti, upute, prikaze i specifikacije za ovaj električni alat. Propusti kod pridržavanja sljedećih uputa može uzrokovati strujni udar, požar i/ili teške ozljede.

⚠ SIGURNOSNE UPUTE ZA SABLJASTE PILE

Držite spravu na izoliranim držačkim površinama kada izvodite radove kod kojih rezački alat može pogoditi skrivene vodove struje. Kontaktom s vodovima pod naponom, pod napon će se staviti i metalni dijelovi uređaja, što može dovesti do električnog udara.

Koristite vijčane stezaljke ili druga praktična pomoćna sredstva kako bi izradak pričvrstili na stabilnoj podlozi. Držanjem izratka rukom ili protupritisakanjem tijelom izradak može prokliznuti, što može dovesti do gubitka kontrole

OSTALE SIGURNOSNE I RADNE UPUTE

Upotrebljavati zaštitnu opremu. Kod radova sa strojem uvijek nositi zaštitne naočale. Preporučuje se zaštitna odjeća, kao zaštitna maska protiv prašine, zaštitne rukavice, čvrste i protiv klizanja sigurne cipele, šljem i zaštitu sluha.

Prašina koja nastaje prilikom rada je često nezdrava i ne bi smijela dospjeti u tijelo. Nositi prikladnu zaštitnu masku protiv prašine.

Ne smiju se obrađivati nikakvi materijali, od kojih prijeto opasnost po zdravlje (npr. azbest).

Kod blokiranja alata koji se upotrebljava uređaj molimo odmah isključiti! Uređaj nemojte ponovno uključiti za vrijeme dok je alat koji se upotrebljava blokiran; time može doći do povratnog udara sa visokim reakcijskim momentom. Pronađite i otklonite uzrok blokiranja alata koji se upotrebljava uz poštovanje sigurnosnih uputa.

Mogući uzroci tome mogu biti:

- Izobličavanje u izratku koji se obrađuje
- Pobjiranje materijala koji se obrađuje
- Preopterećenje električnog alata

Nemojte sezati u stroj koji radi.

Upotrebljeni alat se može za vrijeme korištenja zagrijati.

UPOZORENIE! Opasnost od opekotina

- kod promjene alata
- kod odlaganja uređaja

Piljevina ili iverje se za vrijeme rada stroja ne smiju odstranjivati.

CE-IZJAVA KONFORMNOSTI

Izjavljujemo na osobnu odgovornost, da je proizvod opisan pod "Tehnički podaci", sukladan sa svim relevantnim propisima smjernice 2011/65/EU (RoHS), 2014/30/EU, 2006/42/EC i sa sljedećim harmoniziranim normativnim dokumentima:

EN 62841-1:2015
EN 62841-2-11:2016
EN 55014-1:2017
EN 55014-2:2015
EN IEC 63000:2018

Winnenden, 2019-02-13



Alexander Krug
Managing Director



Ovlašten za formiranje tehničke dokumentacije.

Techtronic Industries GmbH
Max-Eyth-Straße 10
71364 Winnenden
Germany

PROPIJNA UPOTREBA

Sabljasta pila pili drvo, plastiku i metal. Ona reže ravnine, krivine i unutrašnje isječke. Ona reže cijevi i odvaja površinski zbijeno.

Ovaj aparat se smije upotrijebiti samo u određene svrhe kao što je navedeno.

ELEKTRIČNA KOČNICA

Kod ispuštanja pritisne sklopke se list pile u roku od oko 2 sekunde zaustavlja električnom kočnicom. Električna kočnica može doduše djelovati usporavajuće. Ponekad električna kočnica nije djelotvorna. Ukoliko električna kočnica češće ne djeluje, pila se mora odnijeti autoriziranom servisu Milwaukee.

Tek poslije mirovanja lista pile, pilu izvući iz komada koji se obrađuje.

BATERIJE

Baterije koje duže vremena nisu korištene, prije upotrebe napuniti.

Temperatura od preko 50°C smanjuje učinak baterija. Duže zagrijavanje od strane sunca ili grijanja izbjeci.

Priključne kontakte na uređaju za punjenje i baterijama držati čistima.

Za optimalni vijek trajanja se akumulatori poslije upotrebe moraju sasvim napuniti.

Za što moguće duži vijek trajanja, akumulatori se nakon punjenja moraju odstraniti iz punjača.

Kod skladištenja akumulatora duže od 30 dana:

Akumulator skladištiti na suhom kod ca. 27°C.
Akumulator skladištiti kod ca. 30%-50% stanja punjenja.
Akumulator ponovno napuniti svakih 6 mjeseci.

ZAŠTITA OD PREOPTEREĆENJA AKUMULATORA

Kod preopterećenja akumulatora kroz visoku potrošnju struje, npr. ekstremno visoki okretni momenti, zaglavljenje, naglo zaustavljanje ili kratki spoj, elektroalat bruj 2 sekunde dugo i isključuje se samostalno. Za ponovno uključivanje ispuštiti otopnac prekidača i zatim ponovno uključiti.

Pod ekstremnim opterećenjima se akumulator može jako zagrijati. U ovom slučaju se akumulator isključuje.

TRANSPORT LITIJSKIH IONSKIH BATERIJA

Litijske-ionske baterije spadaju pod zakonske odredbe u svezi transporta opasne robe.

Prijevoz ovih baterija mora uslijediti uz poštovanje lokalnih, nacionalnih i internacionalnih propisa i odredaba.

- Korisnici mogu bez ustručavanja ove baterije transportirati po cestama.
- Komerčajalni transport litijsko-ionskih baterija od strane transportnih poduzeća spada pod odredbe o transportu opasne robe. Otpremničke pripreme i transport smiju izvoditi isključivo odgovarajuće školovane osobe. Kompletni proces se mora pratiti na stručan način.

Kod transporta baterija se moraju poštivati sljedeće točke:

- Uvjerite se da su kontakti zaštićeni i izolirani kako bi se izbjegli kratki spojevi.
- Pazite na to, da blok baterija unutar pakiranja ne može proklizavati.
- Oštećene ili iscrpene baterije se ne smiju transportirati.

U svezi ostalih uputa obratite se vašem prijevoznom poduzeću.

ODRŽAVANJE

Prereze za prozračivanje stroja uvijek držati čistima.

Primijeniti samo Milwaukee opremu i Milwaukee rezervne dijelove. Sastavne dijelove, čija zamjena nije opisana, dati zamijeniti kod jedne od Milwaukee servisnih službi (poštivati brošuru Garancija/Adrese servisa).

Po potrebi se crtež pojedinih dijelova aparata uz navođenje podatka o tipu stroja i šestznamenastog broja na pločici snage može zatražiti kod vašeg servisa ili direktno kod Techtronic Industries GmbH, Max-Eyth-Straße 10, 71364 Winnenden, Njemačka.

SIMBOLI



PAŽNJA! UPOZORENIE! OPASNOST!



Prije svih radova na stroju izvaditi bateriju za zamjenu.



Molimo da pažljivo pročitate uputu o upotrebi prije puštanja u rad.



Kod radova na stroju uvijek nositi zaštitne naočale



Oprema - u opsegu isporuke nije sadržana, preporučena dopuna iz programa opreme.



Elektrouređaji, baterije/akumulatori se ne smiju zbrinjavati skupa sa kućnim smećem. Električni uređaji akumulatori se moraju skupljati odvojeno i predati na zbrinjavanje primjereno okolišu jednom od pogona za iskorišćavanje. Raspitajte se kod mjesnih vlasti ili kod stručnog trgovca u svezi gospodarstva za recikliranje i mjesta skupljanja.



Broj hodova praznog hoda



Napon



Istosmjerna struja

Europski znak suglasnosti



Ukrajinski znak suglasnosti



Euroazijski znak suglasnosti

TECHINIAI DUOMENYS	AKUMULATORA VIRZULŽAGIS	C 18 HZ
Produkto numeris	4526 65 03...	
.....	4467 30 03...	
.....	4313 78 03...	
.....	...000001-999999	
keičiamo akumulatoriaus įtampa	18 V	
judesių skaičius laisva eiga	0-3000 min ⁻¹	
judesio aukštis	20 mm	
Prietaiso svoris įvertintas pagal EPTA 01/2014 tyrimų metodiką (1,5 Ah)	2,2 kg	
Prietaiso svoris įvertintas pagal EPTA 01/2014 tyrimų metodiką (3,0 Ah)	2,5 kg	
Rekomenduojama aplinkos temperatūra dirbant	-18...+50 °C	
Rekomenduojami akumuliatorių tipai	M18B...	
Rekomenduojami įkrovikliai	M12-18C, M12-18AC, M12-18FC, M1418C6	

Informacija apie triukšmą/vibraciją

Vertės matuotos pagal EN 62841.

Prietaisui būdingas garso slėgio lygis, koreguotas pagal A dažnio charakteristiką.

Garso slėgio lygis (Paklaida K=3dB(A)).....81 dB (A)

Garso galios lygis (Paklaida K=3dB(A)).....92 dB (A)

Nešioti klausos apsaugines priemones!

Bendroji svyravimų reikšmė (trių krypčių vektorių suma), nustatyta remiantis EN 62841.

Vibravimų emisijos reikšmė a_w

Medinių sijų pjovimas: *

Paklaida K

* su bimetaliu pjūkle geležte, dydis 150 x 1,25 mm ir 5 mm tarpas tarp dantų

DĖMESIO

Instrukcijoje nurodyta svyravimų ribinė vertė yra išmatuota remiantis standartu EN 62841; ji gali būti naudojama keliems elektriniams instrumentams palyginti. Ji taikoma ir laikinai įvertinti svyravimų apkrova.

Nurodyta svyravimų ribinė vertė yra taikoma pagrindinėse elektrinio instrumento naudojimo srityse. Svyravimų ribinė vertė gali skirtis naudojant elektrinį instrumentą kitose srityse, papildomai naudojant netinkamus elektrinius instrumentus arba juos nepakankamai techniškai prižiūrint. Dėl to viso darbo metu gali žymiai padidėti svyravimų apkrova.

Siekiant tiksliai nustatyti svyravimų apkrovą, būtina atsižvelgti ir į laikotarpį, kai įrenginys yra išjungtas arba jungtas, tačiau faktiškai nenaudojamas. Dėl to viso darbo metu gali žymiai sumažėti svyravimų apkrova.

Siekiant apsaugoti vartotojus nuo svyravimo įtakos naudojamos papildomos saugos priemonės, pavyzdžiui, elektrinių darbo instrumentų techninė priežiūra, rankų šilumos palaikymas, darbo procesų organizavimas.

⚠ WARNING Perskaitykite visus saugumo įspėjimus, instrukcijas, peržiūrėkite iliustracijas ir specifikacijas, pateiktas kartu su šiuo įrankiu. Jei nepaisysite visų toliau pateiktų instrukcijų, gali trenkti elektros smūgis, kilti gaisras ir/arba galite sunkiai susižaloti arba sužaloti kitus asmenis.

⚠ KARDINIO PJŪKLO SAUGUMO NURODYMAI

Dirbdami laikykite prietaisą už izoliuotų vietų, kuriose pjovimo įrenginys pats galėtų liesti paslėptus laidus. Dėl kontakto su laidininku, kurio teka elektros srovė, metalinėse prietaiso dalyse atsiranda atampa ir naudojamas gali gauti elektros smūgą.

Naudokite spaustuvus ar kitokią tinkamą tvirtinimo priemonę pritrinti daiktą, su kuriuo dirbate, prie stabilaus pagrindo. Jei dalį, su kuria dirbate, laikote ranka arba prispaudė prie savo kūno, ji yra nestabili, ir todėl gali įvykti nelaimingas atsitikimas.

KITI SAUGUMO IR DARBO NURODYMAI

Dėvėkite apsaugines priemones. Dirbdami su mašina visada užsidėkite apsauginius akinius. Rekomenduotina dėvėti apsaugines priemones: apsaugos nuo dulkių respiratorius, apsaugines pirštines, kietus batus neslidžiais padais, šalną ir klausos apsaugos priemones.

Darbo metu susidarančios dulksės yra dažnai kenksmingos sveikatai ir todėl turėtų nepatekti į organizmą. Dėvėti tinkamą apsauginę kaukę nuo dulkių.

Negalima apdirbti medžiagų, dėl kurių gali būti sveikatos pažeidimai (pvz., asbesto).

Blokuojant įstatomąjį įrankį būtina išjungti prietaisą! Neįjunkite prietaiso, kol įstatomasis įrankis yra užblokuotas; galimas grįžtamasis smūgis su dideliu sukimo momentu. Atsijvelgdami į saugumo nurodymus, nustatykite ir pašalinkite įstatomojo įrankio blokavimo priežastį.

Galimos priežastys:

- Susidariusios apdirbimo ruošinio braiunos
- Apdirbamos medžiagos pratrūkimas
- Elektros įrankio perkrova

Nekiškite rankų į veikiančią mašiną.

laidūs skyčiai, pvz., sūrus vanduo, tam tikri chemikalai ir balikliai arba produktai, kurių sudėtyje yra baliklių, gali sukelti trumpąjį jungimą.

CE ATITIKTIES PAREIŠKIMAS

Remiantis bendrais atsakomybės reikalavimais pareiškiami, jog skyriuje "Techniniai duomenys" aprašytas produktas atitinka visus toliau pateiktų juridinių direktyvų reikalavimus: 2011/65/EU (RoHS), 2014/30/ES, 2006/42/EB ir kitus su jomis susijusius norminius dokumentus: EN 62841-1:2015 EN 62841-2-1:2016 EN 55014-1:2017 EN 55014-2:2015 EN IEC 63000:2018

Winnenden, 2019-02-13

Alexander Krug

Alexander Krug
Managing Director



Įgaliotas parengti techninius dokumentus.

Techtronic Industries GmbH
Max-Eyth-Straße 10
71364 Winnenden
Germany

NAUDOJIMAS PAGAL PASKIRTĮ

Tiesinis pjūklas pjauna medieną, plastiką ir metalą. Jis pjauna tieses, kreives ir vidines išpjovas. Jis pjauna vamzdžius ir nupjauna lygiai su paviršiumi.

Šį prietaisą leidžiama naudoti tik pagal nurodytą paskirtį.

ELEKTRINIS STABDYS

Atleidus jungiklį, elektrinis stabdys maždaug per 2 sekundes sustabdo pjūklą geležte. Tačiau elektrinis stabdys gali veikti ir sulėtintai. Kartais elektrinis stabdys gali visai nesuveikti. Jei elektrinis stabdys dažnai neveikia, pjūklą reikia nugabenti į įgaliotą „Milwaukee“ aptarnavimo centrą. Ištraukti pjūklą iš gaminamos detalės galima tik geležtei sustojus.

AKUMULIATORIAI

Ilgesnį laiką nenaudotus keičiamus akumulatorius prieš naudojimą įkraukite.

Aukštesnė nei 50°C temperatūra mažina keičiamų akumuliatorių galią. Venkite ilgesnio saulės ar šilumos šaltinių poveikio.

Įkroviklio ir keičiamo akumulatoriaus jungiamieji kontaktai visada turi būti švarūs.

Pasinaudoję prietaisu, visiškai įkraukite akumuliatorių, kad prietaisas veiktų optimaliai ilgai.

Siekiant užtikrinti nuo ilgesnį baterijos tarnavimo laiką, reikėtų ją po atlikto įkrovimo iškart išimti iš įkroviklio.

Bateriją laikant ilgiau nei 30 dienų, būtina atkreipti dėmesį į šias nuorodas: bateriją laikyti sausoje aplinkoje, esant apie 27 °C temperatūrai. Baterijos įkrovimo lygis turi būti nuo 30% iki 50%. Baterija pakartotinai turi būti įkraunama kas 6 mėnesius.

APSAUGA NUO AKUMULIATORIAUS PERKROVOS

Perkrovos akumuliatorių dėl itin didelės vartojamos srovės, pvz.: labai didelių apskū, staigaus stabdymo, trumpo sujungimo ar užsikirtus, elektrinis įrankis veikia dar 2 sekundes ir išsijungia automatiškai.

Norint iš naujo įjungti įrankį, reikia atleisti mygtuką ir jį dar kartą įjungti. Dėl ekstremalių apkrovų akumulatorius gali labai stipriai įkaisti. Tokie atvejai jis išsijungia.

LIČIO JONŲ AKUMULIATORIŲ PERVEŽIMAS

Ličio jonų akumulatoriams taikomos įstatyminės nuostatos dėl pavojingų krovinių pervežimų.

Šiuos akumulatorius pervežti būtina laikantis vietinių, nacionalinių ir tarptautinių direktyvų ir nuostatų.

• Naudotojai šiuos akumulatorius gali naudoti savo transporte be jokių kitų sąlygų.

• Už komercinį ličio jonų akumuliatorių pervežimą atsako ekspedicijos įmonė pagal nuostatas dėl pavojingų krovinių pervežimo. Pasiruošimo išsiųsti ir pervežimo darbus gali atlikti tik atitinkamai išmokyti asmenys. Visas procesas privalo būti prižiūrimas.

Pervežant akumulatorius būtina laikytis šių punktų:

- Siekiant išvengti trumpųjų jungimų, įsitikinkite, kad kontaktai yra apsaugoti ir izoliuoti.
- Atkreipkite dėmesį, kad akumulatorius pakuočės viduje neslidinėtų.
- Draudžiama pervežti pažeistus arba tekančius akumulatorius.

Dėl detalesnių nurodymų kreipkitės į savo ekspedicijos įmonę.

TECHNINIS APTARNAVIMAS

Įrenginio vėdinimo angos visada turi būti švarios.

Naudokite tik „Milwaukee“ priedus ir „Milwaukee“ atsargines dalis. Dalis, kurių keitimas neprašytas, leidžiama keisti tik „Milwaukee“ klientų aptarnavimo skyriams (žr. garantiją/klientų aptarnavimo skyrių adresus brošiūroje).

Esant poreikiui, nurodžius mašinos modelį ir šešiaženklį numerį, esantį ant specifikacijų lentelės, klientų aptarnavimo centre arba tiesiogiai „Techtronic Industries GmbH“, Max-Eyth-Str. 10, 71364 Winnenden, Vokietija, galite užsakyti išplėstinį prietaiso brėžinį.

SIMBOLIAI

	DĖMESIO! ĮSPĖJIMAS! PAVOJUS!
	Prieš atlikdami bet kokius darbus įrenginyje, išimkite keičiamą akumuliatorių.
	Prieš pradėdami dirbti su prietaisu, atidžiai perskaitykite jo naudojimo instrukciją.
	Dirbdami su įrenginiu visada nešiokite apsauginius akinius.
	Priedas – neįeina į tiekimo komplektaciją, rekomenduojamas papildymas iš priedų asortimento.
	Elektros prietaisų, baterijų/akumuliatorių šalinti kartu su buitinėmis atliekomis negalima. Elektros prietaisus ir akumulatorius reikia surinkti atskirai ir atiduoti perdirbimo įmonei, kad būtų pašalinti aplinkai saugiu būdu. Vietos valdžios institucijose arba specializuotose prekybos vietose pasidomėkite apie perdirbimo ir surinkimo centrus.
	judesių skaičius laisva eiga
	Įtampa
	Nuolatinė srovė
	Europos atitikties ženklas
	Ukrainos atitikties ženklas
	Eurazijos atitikties ženklas

TEHNILISED ANDMED	JUHTMETA TÜKELDUSSAAG	C 18 HZ
Tootmisnumber	4526 65 03...	
.....	4467 30 03...	
.....	4313 78 03...	
.....	...000001-999999	
Vahetatava aku pinge	18 V	
Käikude arv tühijooksul.....	0-3000 min ⁻¹	
Käigu kõrgus.....	20 mm	
Kaal vastavalt EPTA-protseduurile 01/2014 (1,5 Ah)	2,2 kg	
Kaal vastavalt EPTA-protseduurile 01/2014 (3,0 Ah)	2,5 kg	
Soovitav liik ümbritsev temperatuur töötamise ajal	-18...+50 °C	
Soovitav liik akutüübid	M18B...	
Soovitav liik laadija	M12-18C, M12-18AC, M12-18FC, M1418C6	

Müra/vibratsiooni andmed

Mõõteväärtused on kindlaks tehtud vastavalt normile EN 62841.

Seadme A-filtriga hinnatud helirõhutase on tüüpiliselt

Helirõhutase (Määramatus K=3dB(A)).....81 dB (A)

Helivõimsuse tase (Määramatus K=3dB(A)).....92 dB (A)

Kandke kaitseks kõrvaklappe!

Vibratsiooni koguväärtus (kolme suuna vektorsumma) mõõdetud EN 62841 järgi.

Vibratsiooni emissiooni väärtus a_w

Puitprusside saagimine *1.....7,2 m/s²

Määramatus K.....1,5 m/s²

* koos saalehega bimetal, mõõdud 150 x 1,25 mm ja hammaste samm 5 mm

TÄHELEPANU

Antud juhendis toodud võnketase on mõõdetud EN 62841 standardile vastava mõõtesüsteemiga ning seda võib kasutada erinevate elektriseadmete omavahelises võrdlemises. Antud näitaja sobib ka esmaseks võnkekoormuse hindamiseks.

Antud võnketase kehtib elektriseadme kasutamisel sihtotstarbelselt. Kui elektriseadet kasutatakse muudel otstarvetel, muude tööriistadega või seda ei hooldata piisavalt võib võnketase siintoodust erineda. Eeltoodu võib võnketaset märkimisväärselt tõsta terves töökiskonnas.

Võnketaseme täpseks hindamiseks tuleks arvestada ka aega, mil seade on välja lülitatud või on küll sisse lülitatud, kuid ei ole otseselt kasutusel. See võib märgatavalt vähendada kogu töökiskonna võnketaset.

Rakendage spetsiaalselt ettevaatusabinõusid töötajate suhtes, kes puutuvad töö käigus palju kokku vibratsiooniga. Nendeks abinõudeks võivad olla, näiteks: elektri- ja tööseadmete korraline hooldus, käte soojendamine, töövoo parem organiseerimine.

⚠ TÄHELEPANU! Kõik selle elektrilise tööriistaga kaasasolevad ohutusnõuded, juhised, joonised ja spetsifikatsioonid tuleb läbi lugeda. Kõigi allpool loetletud juhiste eiramise tagajärjeks võib olla elektrilöök, tulekahju ja/või rasked vigastused.

⚠ TIIGERSAAGIDE OHUTUSJUHISED

Tööde puhul, kus lõikeseade võib minna vastu peidetud elektrijuhtmeid, hoidke kinni seadme isoleeritud käepidemest. Kokkupuude pinge all oleva juhtmega võib seada seadme enda metallosad pingele alla ja põhjustada elektrilöögi.

Töö kinnitamiseks stabiilsele platvormile, kasuta klambreid või leia selleks mingi muu praktiline viis. Hoides tööd käega või vastu keha võib olla ebastabiilne ja võib põhjustada kontrolli kaotust.

EDASISED OHUTUS- JA TÖÖJUHISED

Kasutada kaitsevarustust. Masinaga töötamisel kanda alati kaitseprille. Kaitseriietusena soovitatakse kasutada tormumaski kaitsekindaid, kinniseid ja libisemisvastase tallaga jalanõusid, kiivrit ja kuulmisteede kaitset.

Töö ajal tekkiiv tolm on sageli tervistkahjustav ning ei tohiks sattuda organismi. Kanda sobivat kaitsemaski.

Töödelda ei tohi materjale, millest lähtub oht tervisele (nt asbest).

Palun lülitage seade rakendustööriista blokeerumise korral kohe välja! Ärge lülitage seadet sisse tagasi, kuni rakendustööriist on blokeeritud; seejuures võib kõrge reaktsioonimomendiga tagasilöök tekkida. Tehke ohutusjuhiseid arvesse võttes kindlaks ja kõrvaldage rakendustööriista blokeerumise põhjus.

Selle võimalikeks põhjusteks võivad olla:

- viiltu asetumine töödeldavas toorikus
- töödeldava materjali läbimurdumine
- elektritööriista ülekoormamine

Ärge sisestage jäsemeid töötavasse masinasse.

Rakendustööriist võib kasutamise ajal kuumaks minna.

TÄHELEPANU! Põletusohu

- tööriista vahetamisel
- seadme ärapanemisel

Puru ega pilpaid ei tohi eemaldada masina töötamise ajal.

Seina, lae või põranda tööde puhul pidage silmas elektrijuhtmeid, gaasi- ja veetorusid.

Kinnitage toorik kinnipingutusseadisele. Kinnitamata toorikud võivad raskeid vigastusi ja kahjustusi põhjustada.

Mõranenud ning deformeerunud saelehti ei tohi kasutada!

Sukeldumisele saagimine on võimalik ainult pehmemate materjalide puhul (puit, kerged seinamaterjalid), kõvamate materjalide (metallide) puhul tuleb saagimiseks puurida saelehe suurusel vastav auk.

Enne kõiki töid masina kallal võtke vahetatav aku välja.

Ärge visake tarvitatud vahetatavaid akusid tulle ega olmeprügisisse.

Milwaukee pakub vanade akude keskkonnahoidlikku käitlust; palun küsige oma erialaselt tarnijalt.

Ärge säilitage vahetatavaid akusid koos metallsesemetega (lühiseohu!).

Laadijal olevasse vahetatava aku ühenduskambris ei tohi sattuda metallosi (lühiseohu!).

Laadige süsteemi 18 V vahetatavaid akusid ainult süsteemi 18 V laadijatega. Ärge laadige nendega teiste süsteemide akusid.

Ärge avage vahetatavaid akusid ega laadijaid ning ladustage neid ainult kuivades ruumides. Kaitse niiskuse eest.

Äärmuslikul koormusel või äärmuslikul temperatuuril võib kahjustatud vahetatavast akust akuedelik välja voolata. Akuedelikuga kokkupuutumise korral peske kohe vee ja seebiga. Silma sattumise korral loputage kiiresti põhjalikult vähemalt 10 minutit ning pöörduge viivitamatult arsti poole.

Hoiatus! Lühisest põhjustatud tuleohtu, vigastuste või toote kahjustuste vältimiseks ärge kastke tööriista, vahetusakut ega laadimisseadet vedelikku ning jälgige, et vedelikke ei tungiks seadmetesse ega akusse. Korrodeeruvad või elektrit juhtivad vedelikud, nagu soolvesi, teatud kemikaalid ja pleegitusained või pleegitusained sisaldavad tooted, võivad põhjustada lühisid.

EÜ VASTAVUSAVALDUS

Me deklareerime ainuisikuliselt vastutades, et lõigus "Tehnilised andmed" kirjeldatud toode vastab direktiivide 2011/65/EU (RoHS), 2014/30/EU, 2006/42/EU kõigile olulisele tähtsusega eeskirjadele ning järgmistele harmoniseeritud normatiivsetele dokumentidele:

EN 62841-1:2015
EN 62841-2-11:2016
EN 55014-1:2017
EN 55014-2:2015
EN IEC 63000:2018

Winnenden, 2019-02-13

Alexander Krug

Alexander Krug
Managing Director



On volitatud koostama tehnilist dokumentatsiooni.

Techtronic Industries GmbH
Max-Eyth-Straße 10
71364 Winnenden
Germany

KASUTAMINE VASTAVALT OTSTARBELE

Saabelsaag puidu, plasti ja metalli lõikamiseks. Sobib sirg-, kurv- ning siseväljalõigeteks. Lõikab torusid ning mööda tasapinda.

Antud seadet tohib kasutada ainult vastavalt äranäidatud otstarbele.

ELEKTRILINE PIDUR

Elektriline pidur hakkab tööle kui päästik on lahti lastud, põhjustades tera peatumist ja lubades sulle jätkata tööd. Üldiselt, saagitera peatub kahe sekundi jooksul. Siiski võivad esineda viivitused päästiku lahti lasemise ja piduri tööle hakkamise vahel. Aeg-ajalt pidur võib lüpseda mitte peatuda. Kui see ei peatu sageli, saagil on vajalik hooldus volitatud Milwaukee teeninduskeskuses.

Enne saagi eemaldamist toorikust, alati oota tera täieliku peatumiseni.

AKUD

Pikemat aega mittekasutatud akusid laadige veel enne kasutamist.

Temperatuur üle 50 °C vähendab vahetatava aku tööaega. Vältige pikemat soojenemist päikese või kütteseadme mõjul.

Hoidke laadija ja vahetatava aku ühenduskontaktid puhtad.

Patreide optimaalse eluea tagamiseks, pärast kasutamist täielikult lae pateride plokk.

Akud tuleks võimalikult pika kasutusea saavutamiseks pärast täislaadimist laadijast välja võtta.

Aku ladustamisele üle 30 päeva:

Ladustage akut kuivas kohas u 27°C juures.

Ladustage akut u 30-50% laetusseisundis.

Laadige aku iga 6 kuu tagant täis.

AKU KOORMUSKAITSE

Aku ülekoormamisel kõrge voolutarbimisega, blokeerumisel, äkilisel seiskumisel või lühise tekkimisel, vibreerib elektritööriist 2 sekundit ning seejärel lülitub automaatselt välja.

Uuesti sisse lülitamiseks tuleb päästik esmalt vabastada ning seejärel uuesti alla suruda. Ülisuurel koormusel võib aku kuumeneda kõrgete temperatuurideni. Sellisel juhul lülitub aku välja.

LIITIUMIOONAKUDE TRANSPORTIMINE

Liitiumioonakud on allutatud ohtlike ainete transportimisega seonduvatele õigusaktidele.

Nende akude transportimine peab toimuma kohalikest, siseriiklikest ja rahvusvahelistest eeskirjadest ning määrustest kinni pidades.

- Tarbijad tohivad neid akusid edasiste piiranguteta tänaval transportida.
- Liitiumioonakude komertstransport ekspedeerimisettevõtete kaudu on allutatud ohtlike ainete transportimisega seonduvatele õigusaktidele.
- Tärne-ettevalmistusi ja transporti tohivad teostada eranditult vastavalt koollitatud isikud. Kogu protsessi tuleb asjatundlikult jälgida.

Akude transportimisel tuleb järgida järgmisi punkte:

- Tehke kindlaks, et kontaktid on lühise vältimiseks kaitstud ja isoleeritud.
- Pöörake tähelepanu sellele, et akupakk ei saaks pakendis nihkuda.
- Kahjustatud või välja voolanud akusid ei tohi kasutada.

Pöörduge edasiste juhiste saamiseks ekspedeerimisettevõtte poole.

HOOLDUS

Hoidke masina õhutuspiidul alati puhtad.

Kasutage ainult Milwaukee tarvikuid ja Milwaukee tagavaraosi. Detailid, mille väljavahetamist pole kirjeldatud, laske välja vahetada Milwaukee klientiteeninduspunktis (vaadake brošüüri garantii / klientiteeninduste aadressid).

Vajadusel saab nõuda seadme plahvatusjoonise võimsussildil oleva masinatüübi ja kuuekohalise numbrilise klientiteeninduspunkti või vahetult firmalt Techtronic Industries GmbH, Max-Eyth-Straße 10, 71364 Winnenden, Germany.

SÜMBOLID

	ETTEVAATUST! TÄHELEPANU! OHUD!
	Enne kõiki töid masina kallal võtke vahetatav aku välja.
	Palun lugege enne käikulaskmist kasutamisujuhend hoolikalt läbi.
	Masinaga töötades kandke alati kaitseprille.
	Tarvikud - ei kuulu tarne komplekti, soovitatav täiendus on saadaval tarvikute programmis.
	Elektriseadmeid, patareisid/akusid ei tohi utiliseerida koos majapidamisprügiga. Elektriseadmed ja akud tuleb eraldi kokku koguda ning kõrvaldada keskkonnasõbralikul moel töötlemiskeskusesse. Küsige infot jäätmekäitlusjaamade ja kogumispunkide kohta oma kohalike ametnike või edasimüüja käest.
n_n	Käikude arv tühijooksul
V	Pinge
	Alalisvool
	Euroopa vastavusmärk
	Ukraina vastavusmärk
	Euraasia vastavusmärk

ТЕХНИЧЕСКИЕ ДАННЫЕ	АКК. САБЕЛЬНАЯ ПИЛА	C 18 HZ
Серийный номер изделия.....	4526 65 03...	
.....	4467 30 03...	
.....	4313 78 03...	
.....	...000001-999999	
Вольтаж аккумулятора.....	18 V	
Частота хода без нагрузки.....	0-3000 min ⁻¹	
Длина хода.....	20 mm	
Вес согласно процедуре ЕРТА 01/2014 (1,5 Ah).....	2,2 kg	
Вес согласно процедуре ЕРТА 01/2014 (3,0 Ah).....	2,5 kg	
Рекомендованная температура окружающей среды во время работы.....	-18...+50 °С	
Рекомендованные типы аккумуляторных блоков.....	M18B...	
Рекомендованные зарядные устройства.....	M12-18C, M12-18AC, M12-18FC, M1418C6	

Информация по шумам/вибрации
Значения замерялись в соответствии со стандартом EN 62841.
Обычное низкочастотное звуковое давление, производимое инструментом, составляет

Уровень звукового давления (Небезопасность K=3dB(A)).....	81 dB (A)
Уровень звуковой мощности (Небезопасность K=3dB(A)).....	92 dB (A)

Пользуйтесь приспособлениями для защиты слуха.

Общие значения вибрации (векторная сумма трех направлений) определены в соответствии с EN 62841.

Значение вибрационной эмиссии a _h	7,2 m/s ²
Пиление деревянных балок *	1,5 m/s ²

Небезопасность K.....
* с пыльным полотном bimetal, размер 150 x 1,25 мм, шаг зубьев 5 мм

ВНИМАНИЕ

Указанный в настоящем руководстве уровень вибрации измерен в соответствии с технологией измерения, установленной стандартом EN 62841 и может использоваться для сравнения электроинструментов друг с другом. Он также подходит для предварительной оценки вибрационной нагрузки.

Указанный уровень вибрации представляет основные виды использования электроинструмента. Но если электроинструмент используется для других целей, используемый инструмент отклоняется от указанного или технического обслуживания было недостаточным, то уровень вибрации может отклоняться от указанного. В этом случае вибрационная нагрузка в течение всего периода работы значительно увеличивается.

Для точной оценки вибрационной нагрузки необходимо также учитывать время, в течение которого прибор отключен или выключен, но фактически не используется. В этом случае вибрационная нагрузка в течение всего периода работы может существенно уменьшиться.

Установите дополнительные меры безопасности для защиты пользователя от воздействия вибрации, например: техническое обслуживание электроинструмента и используемого инструмента, поддержание рук в теплом состоянии, организация рабочих процессов.

ВНИМАНИЕ! Ознакомьтесь со всеми предупреждениями относительно безопасного использования, инструкциями, иллюстративным материалом и техническими характеристиками, поставляемым с этим электроинструментом. Несоблюдение всех нижеследующих инструкций может привести к порочению электрическим током, пожару или/и тяжелым травмам.

УКАЗАНИЯ ПО БЕЗОПАСНОСТИ ДЛЯ САБЕЛЬНЫХ ПИЛ

Если Вы выполняете работы, при которых режущий инструмент может зацепить скрытую электропроводку кабелей, инструмент следует держать за специально предназначенные для этого изолированные поверхности. Контакт с ведущими напряжением проводами ставит металлические части прибора под напряжение и ведет к поражению электрическим током.

Используйте струбицу или другие целесообразные вспомогательные средства, чтобы закрепить обрабатываемое изделие на устойчивой основе. Если вы держите обрабатываемое изделие в руке или прижимаете его корпусом, оно может сдвинуться, что приведет к потере контроля.

ДОПОЛНИТЕЛЬНЫЕ УКАЗАНИЯ ПО БЕЗОПАСНОСТИ И РАБОТЕ

Пользоваться средствами защиты. Работать с инструментом всегда в защитных очках. Рекомендуется спецдежда: пылезащитная маска, защитные перчатки, прочная и нескользящая обувь, каска и наушники.

Пыль, возникающая при работе данным инструментом, может нанести вред здоровью. Не следует допускать её попадания в организм. Надевайте противопылевой респиратор.

Запрещается обрабатывать материалы, которые могут нанести вред здоровью (напр., асбест).

При блокировании используемого инструмента немедленно выключите прибор! Не включайте прибор до тех пор, пока используемый инструмент заблокирован; в противном случае может возникнуть опасность с высоким реактивным моментом. Определите и устранили причину блокирования используемого инструмента с учетом указаний по безопасности.

Возможными причинами могут быть:

- перенос заготовки, подлежащей обработке
- разрушение материала, подлежащего обработке
- перегрузка электроинструмента

Не прикасаться к работающему станку.

Используемый инструмент может нагреваться во время применения.

ВНИМАНИЕ! Опасность получения шока

- при смене инструмента
- при укладывании прибора

Не убирать опилки и обломы при выключенном инструменте.

При работе в стенах, потолках или полу следите за тем, чтобы не повредить электрические кабели или водопроводные трубы.

Закрепите вашу заготовку с помощью зажимного приспособления. Незакрепленные заготовки могут привести к тяжелым травмам и повреждению.

Не используйте треснувшие или полные полотна пилы.

Врезание без предварительного высверливания отверстий возможно в мягких материалах (дерево, лепих строительных материалах для стен). В более твердых материалах (металле) необходимо сначала просверлить отверстия, соответствующие размеру пильного полотна.

Выньте аккумулятор из машины перед проведением с ней каких-либо манипуляций.

Не выбрасывайте использованные аккумуляторы вместе с домашним мусором и не сжигайте их. Дистрибуторы компании Milwaukee предлагают восстановление старых аккумуляторов, чтобы защитить окружающую среду.

Не храните аккумуляторы вместе с металлическими предметами во избежание короткого замыкания.

Не допускаются попадания каких-либо металлических предметов в аккумуляторный отсек зарядного устройства во избежание короткого замыкания.

Для зарядки аккумуляторов модели 18 V используйте только зарядным устройством 18 V. Не заряжайте аккумуляторы других систем.

Никогда не воскривайте аккумуляторы или зарядные устройства и храните их только в сухих помещениях. Следите, чтобы они всегда были сухими.

Аккумуляторная батарея может быть повреждена и дать течь под воздействием чрезмерных температур или повышенной нагрузки. В случае контакта с аккумуляторной кислотой немедленно промойте место контакта мылом и водой. В случае попадания кислоты в глаза промойте глаза в течение 10 минут и немедленно обратитесь за медицинской помощью.

Предупреждение! Для предотвращения опасности пожара в результате короткого замыкания, травм и повреждения изделия не опухайте инструмент, сменный аккумулятор или зарядное устройство в жидкости и не допускайте попадания жидкостей внутрь устройств или аккумуляторов. Коррозионные и проводящие жидкости, такие как соленый раствор, определенные химикаты, отбеливающие средства или содержащие их продукты, могут привести к короткому замыканию.

ДЕКЛАРАЦИЯ СО СООТВЕТСТВИЕМ СТАНДАРТАМ ЕС

Мы заявляем под собственную ответственность, что изделие, описанное в разделе "Технические характеристики", соответствует всем важным предписаниям Директивы 2011/65/EU (Директива об ограничении применения опасных веществ в электрических и электронных приборах), 2014/30/EU, 2006/42/ЕС и приведенным далее гармонизированным нормативным документам.

- EN 62841-1:2015
- EN 62841-2:11:2016
- EN 55014-1:2017
- EN 55014-2:2015
- EN IEC 63000:2018

Winnenden, 2019-02-13



Alexander Krug
Managing Director

Уполномочен на составление технической документации.

Techtronic Industries GmbH
Max-Eyth-Strasse 10
71364 Winnenden
Germany

ИСПОЛЬЗОВАНИЕ

Эта сабельная пила пилит дерево, пластик и металл. Она может пилить по кривой и заподлицо с поверхностью.

Не пользуйтесь данным инструментом способом, отличным от указанного для нормального применения.

ЭЛЕКТРИЧЕСКИЙ ТОРМОЗ

При отпускинии кнопки выключателя электрический тормоз остановит пильное полотно в пределах примерно 2 секунд. Тем не менее, электрический тормоз может действовать с задержкой. Бывают случаи, когда электрический тормоз не действует. Если электрический тормоз не действует слишком часто, пилу следует отнести в авторизованный сервисный центр компании Milwaukee.

Снимайте пилу с обрабатываемого изделия только после полной остановки пильного полотна.

АККУМУЛЯТОР

Перед использованием аккумулятора, которым не пользовались некоторое время, его необходимо зарядить.

Температура свыше 50°C снижает работоспособность аккумулятора. Избегайте продолжительного нагрева или прямого солнечного света (риск перегрева).

Контакты зарядного устройства и аккумуляторов должны содержаться в чистоте.

Для обеспечения оптимального срока службы аккумуляторы необходимо полностью заряжать после использования.

Для достижения максимального возможного срока службы аккумуляторы после зарядки следует вынимать из зарядного устройства.

При хранении аккумулятора более 30 дней:
Храните аккумулятор при 27°C в сухом месте.
Храните аккумулятор с зарядом примерно 30% - 50%.
Каждые 6 месяцев аккумулятор следует заряжать.

ЗАЩИТА АККУМУЛЯТОРА ОТ ПЕРЕГРУЗКИ

При перегрузке аккумулятора из-за очень высокого расхода электроэнергии, напр., предельно высоких крутящих моментов, заклинивания, внезапной остановки или короткого замыкания, электроинструмент гудит 2 секунды и автоматически отключается.

Для повторного включения отпустить кнопку выключателя и затем снова включить.

При предельно высоких нагрузках аккумулятор может сильно нагреться. В этом случае аккумулятор отключится.*

ТРАНСПОРТИРОВКА ЛИТИЙ-ИОННЫХ АККУМУЛЯТОРОВ

Литий-ионные аккумуляторы в соответствии с предписаниями закона транспортируются как опасные грузы.

Транспортировка этих аккумуляторов должна осуществляться с соблюдением местных, национальных и международных предписаний и положений.

- Эти аккумуляторы могут перевозиться по улице потребителем без дальнейших обязательств.
- При коммерческой транспортировке литий-ионных аккумуляторов экспедиторскими компаниями действуют положения, касающиеся транспортировки опасных грузов. Подготовка к отправке и транспортировка должны производиться исключительно специально обученными лицами. Весь процесс должен находиться под контролем специалиста.

При транспортировке аккумуляторов необходимо соблюдать следующие пункты:

- Убедитесь, что контакты защищены и изолированы во избежание короткого замыкания.
- Следите за тем, чтобы аккумуляторный блок не соприкоснулся внутри упаковки.
- Транспортировка поврежденных или протекающих аккумуляторов запрещена.

За дополнительными указаниями обратитесь к своему экспедитору.

ОБСЛУЖИВАНИЕ

Всегда держите открывающие отверстия чистыми.

Пользуйтесь аксессуарами и запасными частями Milwaukee. В случае возникновения необходимости в замене, которая не была описана, обращайтесь в один из сервисных центров по обслуживанию электроинструментов Milwaukee (см. список сервисных организаций).

При необходимости, у сервисной службы или непосредственно у фирмы Techtronic Industries GmbH, Max-Eyth-Strasse 10, 71364, Винненден, Германия, можно запросить сборочный чертёж устройства, сообщив его тип и шестизначный номер, указанный на фирменной табличке.

СИМВОЛЫ

	ВНИМАНИЕ! ПРЕДУПРЕЖДЕНИЕ! ОПАСНОСТИ!
	Выньте аккумулятор из машины перед проведением с ней каких-либо манипуляций.
	Пожалуйста, внимательно прочтите инструкцию по использованию перед началом любых операций с инструментом.
	При работе с инструментом всегда надевайте защитные очки.
	Принадлежности - В стандартную комплектацию не входит, поставляется в качестве дополнительной принадлежности.
	Электроприборы, батареи/аккумуляторы запрещено утилизировать вместе с бытовым мусором. Электрические приборы и аккумуляторы следует собирать отдельно и сдавать в специализированную компанию для утилизации в соответствии с нормами охраны окружающей среды. Получите в местных органах власти или у вашего специализированного дилера сведения о центрах вторичной переработки и пунктах сбора. Число оборотов без нагрузки
	Напряжение
	Постоянный ток
	Европейский знак соответствия
	Украинский знак соответствия
	Сертификата о соответствии No. RU C-DE.ME77.B.01610 Срок действия сертификата о соответствии по 18.06.2019 ООО «Центр по сертификации стандартизации и систем качества электро-машиностроительной продукции» 141400, РФ, Московская область, г. Химки, Ул. Ленинградская, 29

Транспортировка:
Категорически не допускается падение и любые механические воздействия на упаковку при транспортировке. При разгрузке/погрузке не допускается использование любого вида техники, работающей по принципу зажима упаковки.

Хранение:
Необходимо хранить в сухом месте. Необходимо хранить вдали от источников повышенных температур и воздействия солнечных лучей. При хранении необходимо избегать резкого перепада температур. Хранение без упаковки не допускается.

Срок службы изделия:
Срок службы изделия составляет 5 лет. Не рекомендуется к эксплуатации по истечении 5 лет хранения с даты изготовления без предварительной проверки.

Дата изготовления (код даты) отштампован на поверхности корпуса изделия.
Пример:
A2015, где 2015 - год изготовления
A - месяц изготовления
Определить месяц изготовления можно согласно приведенной ниже таблице

A - Январь	G - Июль
B - Февраль	H - Август
C - Март	J - Сентябрь
D - Апрель	K - Октябрь
E - Май	L - Ноябрь
F - Июнь	M - Декабрь

Тектроник Индустриз ГмбХ
Германия, 71364, Винненден,
ул. Макс-Айх-Страссе, 10
Сделано в КНР

ТЕХНИЧЕСКИ ДАННИ АКУМУЛАТОРЕН САБЛЕВИДЕН ТРИОН		C 18 HZ
Производствен номер.....	4526 65 03...	
.....	4467 30 03.....	
.....	4313 78 03.....	
.....	...00001-999999	
Напрежение на акумулатора.....	18 V	
Честота на движение на триончето на празен ход.....	0-3000 min ⁻¹	
Височина на хода.....	20 mm	
Тегло съгласно процедурата ЕРТА 01/2014 (1,5 Ah).....	2,2 kg	
Тегло съгласно процедурата ЕРТА 01/2014 (3,0 Ah).....	2,5 kg	
Препоръчителна околна температура при работа.....	-18...+50 °C	
Препоръчителни видове акумулаторни батерии.....	M18B...	
Препоръчителни зарядни устройства.....	M12-18C, M12-18AC, M12-18FC, M1418C6	

Информация за шума/вибрациите

Измерените стойности са получени съобразно EN 62841.

Нивото на звуково налягане на уреда в db (A) обикновено съставлява

Равнище на звуковото налягане (Несигурност K=3dB(A)).....81 dB (A)

Равнище на мощността на звука (Несигурност K=3dB(A)).....92 dB (A)

Да се носи предпазно средство за слуха!

Общите стойности на вибрациите (векторна сума на три посоки) са

определени в съответствие с EN 62841.

Стойност на емисии на вибрациите a_w

Рязане на дървени трупи *.....7,2 m/s²

Несигурност K.....1,5 m/s²

* с режещ лист bimetal, размер 150 x 1,25 mm и стъпка на зъбите 5 mm

ВНИМАНИЕ

Посоченото в тези инструкции ниво на вибрациите е измерено в съответствие със стандартизиран в EN 62841 измервателен метод и може да се използва за сравнение на електрически инструменти помежду им. Подходящ е и за временна оценка на вибрационното натоварване.

Посоченото ниво на вибрациите представя основните приложения на електрическия инструмент. Ако обаче електрическият инструмент се използва с друго предназначение, с различни сменяеми инструменти или при недостатъчна техническа поддръжка, нивото на вибрациите може да е различно. Това чувствително може да увеличи вибрационното натоварване по време на целия работен цикъл.

За точната оценка на вибрационното натоварване трябва да се вземат предвид и периодите от време, в които уредът е изключен или работи, но в действителност не се използва. Това чувствително може да намали вибрационното натоварване по време на целия работен цикъл.

Определете допълнителни мерки по техника на безопасност в защита на обслужващия работник от въздействието на вибрациите като например: техническа поддръжка на електрическия инструмент и сменяемите инструменти, поддържане на ръцете топли, организация на работния цикъл.

▲ ВНИМАНИЕ! Прочетете всички указания за безопасност, инструкции, илюстрации и спецификации за този електроинструмент. Пропуските при спазване на приведените по-долу указания могат да доведат до токов удар, пожар и/или тежки травми.

▲ ИНСТРУКЦИИ ЗА БЕЗОПАСНОСТ ЗА САБЛЕНИ ТРИОНИ.

Дръжте уреда за изолираните ръкохватки, когато извършвате работи, при които режещият инструмент може да засегне скрити електроинсталационни кабели. При влизане в съприкосновение с проводник под напрежение, то се предава на всички метални части на електроинструмента, което може да доведе до токов удар.

Използвайте резбови стяги или други практични спомагателни средства, за да закрепите детайла върху стабилна основа. Ако детайлът се държи с ръка или поддържа с тяло, то той може да се измести и това да доведе до загуба на контрол.

ДОПЪЛНИТЕЛНИ УКАЗАНИЯ ЗА РАБОТА И БЕЗОПАСНОСТ

Да се използват предпазни средства. При работа с машината винаги носете предпазни очила. Препоръчват се защитно облекло и прахозащитна маска, защитни ръкавици, здрави и хелъгащи се обувки, каска и предпазни средства за слуха.

Прахът, който се образува при работа, често е вреден за здравето и не бива да попада в тялото. Да се носи подходяща прахозащитна маска.

Не е разрешена обработката на материали, които представляват опасност за здравето (напр. азбест).

Ако използваният инструмент блокира, изключете веднага уреда! Не включвайте уреда отново, докато използваният инструмент е блокиран; това би могло да доведе до откат с висока реактивна сила. Открийте и отстранете причината за блокирането на използвания инструмент имажи в предвид инструкциите за безопасност.

Възможните причини за това могат да бъдат:

- Заклиняване в обработваната част
- Пробиване на материала
- Пренатоварване на електрическия инструмент

Не бъркайте в машината, докато тя работи.

Използваният инструмент може да загрее по време на употреба.

ВНИМАНИЕ! Опасност от изгаряния

СЕ - ДЕКЛАРАЦИЯ ЗА СЪОТВЕТСТВИЕ

Заявявам под собствена отговорност, че описаният в "Технически данни" продукт съответства на всички важни разпоредби на директива 2011/65/EU (RoHS), 2014/30/EU, 2006/42/EO, както и на всички следващи нормативни документи във тази връзка.

EN 62841-1:2015
EN 62841-2-11:2016
EN 55014-1:2017
EN 55014-2:2015
EN IEC 63000:2018

Winnenden, 2019-02-13



Alexander Krug
Managing Director



Упълномощен за съставяне на техническата документация

Techtronic Industries GmbH
Max-Eyth-Straße 10
71364 Winnenden
Germany

ИЗПОЛЗВАНЕ ПО ПРЕДНАЗНАЧЕНИЕ

Саблевидният трион реже дърво, пластмаса и метал. Той реже по права и по крива линия, прави вътрешни изрези. Той реже тръби и разделя повърхности подравнено.

Този уред може да се използва по предназначение само както е посочено.

ЕЛЕКТРИЧЕСКА СПИРАЧКА

При пускане на бутона на превключвателя, режещата лента бива спирана за около 2 секунди от електрическата спирачка. Електрическата спирачка може да действа и със забавяне. Понякога електрическата спирачка не действа. Ако се случва често, електрическата спирачка да не действа, машината за рязане трябва да бъде занесена за проверка в оторизиран сервис на Milwaukee. Машината за рязане се вади от обработвания детайл едва след спиране на режещата лента.

АКУМУЛАТОРИ

Акумулатори, които не са ползвани по-дълго време, преди употреба да се дозаредят.

Температура над 50°C намалява мощността на акумулатора. Да се избягва по-продължително нагряване на слънце или от отопление.

Поддържайте чисти присъединителните контакти на зарядното устройство и на акумулатора.

С цел оптимална продължителност на живот след употреба батериите трябва да бъдат заредени напълно

За възможно по-дълга продължителност на живот батериите трябва да се изваждат от уреда след зареждане.

При съхранение на батериите за повече от 30 дни: съхранявайте батерията при прибл. 27°C и на сухо място. Съхранявайте батерията при 30 до 50 % от заряда. Зареждайте батерията на всеки 6 месеца.

ЗАЩИТА ОТ ПРЕТОВАРВАНЕ НА БАТЕРИЯТА

При претоварване на акумулатора поради много висока консумация на ток, напр. много високи въртящи моменти, заклиняване, внезапен стоп или късо съединение, електрическият инструмент бърчи 2 секунди и самостоятелно се изключва.

За ново включване освободете бутона за включване и отново го включете. При извънредни натоварвания акумулаторът може да се нагрее силно. В този случай акумулаторът изключва.

ПРЕВОЗ НА ЛИТИЕВО-ИОННИ БАТЕРИИ

Литиево-ионните батерии са предмет на законите разпоредби за превоз на опасни товари.

Превозът на тези батерии трябва да се извършва в съответствие с местните, националните и международните разпоредби и регламенти.

- Потребителите и международните разпоредби и регламенти.
- Националните могат да превозват тези батерии по пътя без допълнителни изисквания.
- Превозът на литиево-ионни батерии от транспортни компании е предмет на законите разпоредбите за превоз на опасни товари. Подготовката на

превоза и самият превоз трябва да се извършват само от обучени лица. Целият процес трябва да е под професионален надзор.

Спазвайте следните изисквания при превоз на батерии:

- Уверете се, че контактите са защитени и изолирани, за да се избегне късо съединение.
- Уверете се, че няма опасност от разместване на батерията в опаковката.
- Не превозвайте повредени батерии или такива с течове.

Обърнете се към Вашата транспортна компания за допълнителни инструкции.

ПОДДРЪЖКА

Вентилационните шлицы на машината да се поддържат винаги чисти.

Да се използват само аксесоари на Milwaukee и резервни части на Milwaukee. Елементи, чията подмяна не е описана, да се дадат за подмяна в сервис на Milwaukee (вижте брошурата "Гаранция и адреси на сервиси").

При необходимост можете да поискате схема на елементите на уреда при посочаване на обозначение на машината и шестцифрения номер на табелката за технически данни от Вашия сервис или директно на Techtronic Industries GmbH, Max-Eyth-Straße 10, 71364 Winnenden, Германия.

СИМВОЛИ



ВНИМАНИЕ! ПРЕДУПРЕЖДЕНИЕ! ОПАСНОСТ



Преди започване на каквито е да е работи по машината извадете акумулатора.



Преди пускане на уреда в действие моля прочетете внимателно инструкцията за използване.



При работа с машината винаги носете предпазни очила.



Аксесоари - Не се съдържат в обема на доставката, препоръчително допълнение от програмата за аксесоари.



Електрическите уреди, батерии/акумулаторни батерии не трябва да се изхвърлят заедно с битовите отпадъци.

Електрическите уреди и акумулаторни батерии трябва да се събират отделно и да се предават на службите за рециклиране на отпадъците според изискванията за опазване на околната среда.

Информирайте се при местните служби или при местните специализирани търговци относно местата за събиране и центровете за рециклиране на отпадъци.



Честота на движение на триончето на празен ход



Напрежение



Европейски знак за съответствие



Украински знак за съответствие



Евро-азиатски знак за съответствие

DATE TEHNICE	FERĂSTRĂU SABIE CU ACUMULATOR	C 18 HZ
Număr producție	4526 65 03 ...	
.....	4467 30 03 ...	
.....	4313 78 03 ...	
.....	...000001-999999	
Tensiune acumulator	18 V	
Cursa în gol	0-3000 min ⁻¹	
Lungimi de cursă	20 mm	
Greutatea conform „EPTA procedure 01/2014” (1,5 Ah)	2,2 kg	
Greutatea conform „EPTA procedure 01/2014” (3,0 Ah)	2,5 kg	
Temperatura ambientă recomandată la efectuarea lucrărilor	-18...+50 °C	
Acumulatori recomandați	M18B ...	
Încălțătoare recomandate	M12-18C, M12-18AC, M12-18FC, M1418C6	

Informație privind zgomotul/vibrațiile

Valorile măsurate determinate conform EN 62841.

Valoarea reală A a nivelului presiunii sonore a sculei este :

Nivelul presiunii sonore (Nesiguranță K=3dB(A))81 dB (A)

Nivelul sunetului (Nesiguranță K=3dB(A))92 dB (A)

Purtați căști de protecție

Valorile totale de oscilație (suma vectorială pe trei direcții) determinate conform normei EN 62841.

Valoarea emisiei de oscilații a_v

Tăierea grinziilor de lemn7,2 m/s²

Nesiguranță K1,5 m/s²

* cu lame bimetal pentru fierăstrău mărimea 150 x 1,25 mm și dentiție (nr. dinți/țol) 5 mm

AVERTISMENT

Gradul de oscilație indicat în prezentele instrucțiuni a fost măsurat în conformitate cu o procedură de măsurare normată prin norma EN 62841 și poate fi folosit pentru a compara uneltele electrice între ele. El se pretează și pentru o evaluare provizorie a solicitării la oscilații.

Gradul de oscilație indicat reprezintă aplicațiile principale ale uneltelor electrice. În cazul în care însă uneltele electrice au fost folosite pentru alte aplicații, ori au fost folosite uneltele diferite ori acestea nu au fost supuse unei suficiente inspecții de întreținere, gradul de oscilație poate fi diferit. Acest fapt poate duce la o creștere netă a solicitărilor la oscilații dealungul întregii perioade de lucru.

În scopul unei evaluări exacte a solicitării la oscilații, urmează să fie luate în considerație și perioadele de timp în care aparatul a fost oprit ori funcționează dar, în realitate, el nu este folosit în mod practic. Acest fapt poate duce la o reducere netă a solicitărilor la oscilații dealungul întregii perioade de lucru.

Stabiliți măsuri de siguranță suplimentare în scopul protecției utilizatorului de efectele oscilațiilor, de exemplu: inspecție de întreținere a uneltelor electrice și a celor de muncă, păstrarea caldă a mâinilor, organizarea proceselor de muncă

A AVERTISMENT A se citi toate avertismentele, instrucțiunile, ilustrațiile și specificațiile privind siguranța furnizate cu această unelată electrică.

Nerespectarea tuturor instrucțiunilor listate mai jos poate cauza șocuri electrice, incendii și/sau vătămări corporale grave.

A INDICAȚII DE SIGURANȚĂ PENTRU TĂIEREA CU FERĂSTRĂU SABIE

Țineți aparatul de mânerle izolate când executați lucrări la care scula tăietoare poate nimeri peste conductori electrici ascunși. Contactul cu un conductor sub tensiune determină punerea sub tensiune a componentelor metalice ale mașinii și duce la electrocutare.

Folosiți menghine sau alte mijloace ajutoare practice în vederea fixării piesei de prelucrat pe un suport stabil. Dacă piesa este ținută cu mâna sau rezemată prin contraacțiune cu corpul, ea poate aluneca din poziția de lucru, pierzându-se controlul asupra ei.

INSTRUCȚIUNI SUPLIMENTARE DE SIGURANȚĂ ȘI DE LUCRU

Folosiți echipament de protecție . Purtați întotdeauna ochelari de protecție când lucrați cu mașina . Se recomandă utilizarea hainelor de protecție ca de ex. Măști contra prafului, mănuși de protecție, încălțăminte stabilă nealunecoasă, cască și aparatoare de urechi.

Praful care apare când se lucrează cu această sculă poate fi dăunător sănătății și prin urmare nu trebuie să atingă corpul. Purtați o mască de protecție corespunzătoare împotriva prafului.

Nu se admite prelucrarea unui material care poate pune în pericol sănătatea operatorului (de exemplu azbestul).

La blocarea sculei demontabile vă rugăm să deconectați imediat aparatul! Nu conectați aparatul atâta timp cât scula demontabilă este blocată; dacă o faceți, s-ar putea să se producă un recul cu un cuplu mare de reacție. Găsiți și remediați cauza de blocare a sculei demontabile respectând indicațiile pentru siguranță.

Cauzele posibile pot fi:

- Agățarea în piesa de prelucrat
- Străpungerea materialului de prelucrat
- Suprasolicitarea sculei electrice

Nu atingeți părțile mașinii aflate în rotație.

Scula introdusă poate să devină fierbinte în timpul utilizării.

AVERTISMENT! Pericol de arsuri

DECLARAȚIE DE CONFORMITATE

Declarăm pe propria răspundere că produsul descris la "Date tehnice" este în concordanță cu toate prevederile legale relevante ale Directivei 2011/65/EU (RoHS), 2014/30/UE, 2006/42/CE și cu următoarele norme armonizate:

EN 62841-1:2015
EN 62841-2-11:2016
EN 55014-1:2017
EN 55014-2:2015
EN IEC 63000:2018

Winnenden, 2019-02-13



Alexander Krug
Managing Director



Împuternicit să elaboreze documentația tehnică.

Techtronic Industries GmbH
Max-Eyth-Straße 10
71364 Winnenden
Germany

CONDIȚII DE UTILIZARE SPECIFICATE

Acest ferăstrău taie lemn, materiale plastice și metale . El poate tăia linii drepte, curbe și efectua tăieturi interne. Taie țevi și poate tăia razant la o suprafață.

Nu utilizați acest produs în alt mod decât cel stabilit pentru utilizare normală.

FRÂNĂ ELECTRICĂ

Dacă se eliberează butonul întrerupător, pânza de ferăstrău se oprește într-un interval de cca. 2 secunde datorită frânei electrice. Dar frâna electrică poate avea și un efect întârziat. În mod ocazional, frâna electrică poate să nu aibă efect. Dacă se întâmplă în mod frecvent ca frâna electrică să nu acționeze, ferăstrăul trebuie dus la un service Milwaukee autorizat.

Ferăstrăul se scoate din piesă de-abia după ce pânza de ferăstrău s-a oprit complet.

ACUMULATORI

Acumulatorii care nu au fost utilizați o perioadă de timp trebuie reîncărcați înainte de utilizare.

Temperatura mai mare de 50°C (122°F) reduce performanța acumulatorului. Evitați expunerea prelungită la căldură sau radiație solară (risc de supraîncălzire)

Contactele încărcătoarelor și acumulatorilor trebuie păstrate curate.

Pentru o durabilitate optimă, acumulatorii trebuie reîncărcați complet după folosire.

Pentru o durată de viață cât mai lungă, acumulatorii ar trebui scoși din încărcător după încărcare.

La depozitarea acumulatorilor mai mult de 30 zile:

Acumulatorii se depozitează la cca. 27°C și la loc uscat.

Acumulatorii se depozitează la nivelul de încărcare de cca. 30%-50%.

Acumulatorii se încarcă din nou la fiecare 6 luni.

PROTECȚIE SUPRĂÎNCĂRCARE ACUMULATOR

În caz de supraîncărcare a acumulatorului prin consum foarte ridicat de curent, de ex. cupluri mecanice extreme de mari, înțepenirea, întrerupere bruscă sau scurtcircuit, unelata electrică produce timp de 2 secunde un zgomot înfundat, după care se decuplează de la sine.

În vederea recuplării, dați drumul butonului de comutare, iar apoi efectuați o nouă cuplare.

În condiții de încărcări extreme, acumulatorul se poate încălzi peste măsură. În acest caz, acumulatorul se decuplează.

TRANSPORTUL ACUMULATORILOR CU IONI DE LITIU

Acumulatorii cu ioni de litiu cad sub incidența prescripțiilor legale pentru transportul de mărfuri periculoase.

Transportul acestor acumulatori trebuie să se efectueze cu respectarea prescripțiilor și reglementărilor pe plan local, național și internațional.

- Consumatorilor le este permis transportul rutier nerestricționat al acestui tip de acumulatori.
- Transportul comercial al acumulatorilor cu ioni de litiu prin intermediul firmelor de expediție și transport este supus reglementărilor transportului de mărfuri periculoase. Pregătirile pentru expediție și transportul au voie să fie efectuate numai de către personal instruit corespunzător. Întregul proces trebuie asistat în mod competent.

Următoarele puncte trebuie avute în vedere la transportul acumulatorilor:

- Pentru a se evita scurtcircuitate, asigurați-vă de faptul că sunt protejate și izolate contactele.
- Aveți grijă ca pachetul de acumulatori să nu poată aluneca în altă poziție în interiorul ambalajului său.
- Este interzis transportarea unor acumulatori deteriorați sau care pierd lichid.

Pentru indicații suplimentare adresați-vă firmei de expediție și transport cu care colaborați.

INTREȚINERE

Fantele de aerisire ale mașinii trebuie să fie menținute libere tot timpul

Utilizați numai accesorii și piese de schimb Milwaukee. Dacă unele din componente care nu au fost descrise trebuie înlocuite , vă rugăm contactați unul din agenții de service Milwaukee (vezi lista noastră pentru service / garanție)

Dacă este necesar, puteți solicita de la centrul dvs. de service pentru clienți sau direct la Techtronic Industries GmbH, Max-Eyth-Straße 10, 71364 Winnenden, Germania un desen descompus al aparatului prin indicarea tipului de aparat și a numărului cu șase cifre de pe tablăa indicatoare.

SIMBOLURI



PERICOL! AVERTIZARE! ATENȚIE!



Îndepărtați acumulatorul înainte de începerea lucrului pe mașina



Vă rugăm citiți cu atenție instrucțiunile înainte de pornirea mașinii



Purtați întotdeauna ochelari de protecție când utilizați mașina.



Accesorii - Nu este inclus în echipamentul standard , disponibil ca accesorii



Aparatele electrice, bateriile/acumulatorii nu se elimină împreună cu deșeurile menajere. Aparatele electrice și acumulatorii se colectează separat și se predau la un centru de reciclare, în vederea eliminării ecologice. Informați-vă de la autoritățile locale sau de la comercianții acreditați în legătură cu centrele de reciclare și de colectare.



Cursa în gol



Tensiune



Curent continuu



Marcă de conformitate europeană



Marcă de conformitate ucraineană



Marcă de conformitate eurasiatică

ТЕХНИЧКИ ПОДАТОЦИ	САБЈЕСТА ПИЛА НА БАТЕРИИ	C 18 HZ
Производен број.....	4526 65 03...4467 30 03...
.....4313 78 03...000001-999999
Волтажа на батеријата	18 V	
Ударен момент при не оптовареност (на слободно).....	0-3000 min ⁻¹	
Должина на удар	20 mm	
Тежина според ЕПТА-процедурата 01/2014 (1,5 Ah).....	2,2 kg	
Тежина според ЕПТА-процедурата 01/2014 (3,0 Ah).....	2,5 kg	
Препорачана температура на околината при работа	-18...+50 °C	
Препорачани типови на акумулаторски батерии	M18B...	
Препорачани полначи	M12-18C, M12-18AC, M12-18FC, M1418C6	

Информација за бучавата/вибрациите

Измерените вредности се одредени согласно стандардот EN 62841.

Типично очекувано ниво на звучен притисок на алатот е:

Ниво на звучен притисок. (Несигурност K=3dB(A))81 dB (A)

Ниво на јачина на звук. (Несигурност K=3dB(A)).....92 dB (A)

Носете штитник за уши.

Вкупни вибрациски вредности (векторски збир на трите насоки) пресметани согласно EN 62841.

Вибрациска емисиона вредност a_v

Пилење на дрвени греди *7,2 m/s²

Несигурност K1,5 m/s²

* со лист bimetal, големина 150 x 19 x 1,2 мм и растојание помеѓу забите 4,2 мм

ПРЕДУПРЕДУВАЊЕ

Нивото на осцилација наведено во овие инструкции е измерено во согласност со мерните постапки нормирани во EN 62841 и може да биде употребено за меѓусебна споредба на електро-алати. Ова ниво може да се употреби и за привремена проценка на оптоварувањето на осцилацијата.

Наведеното ниво на осцилација ги репрезентира главните намени на електро-алатот се употребува за други намени, со отстапувачки додатоци или со несоодветно одржување, нивото на осцилација може да отстапи. Тоа може значително да го зголеми оптоварувањето на осцилацијата за време на целиот работен период.

За прецизна проценка на оптоварувањето на осцилацијата предвид треба да бидат земени и времињата, во коишто апаратот е исклучен или работи, но фактички не се употребува. Тоа може значително да го намали оптоварувањето на осцилацијата за време на целиот работен период.

Утврдете дополнителни безбедносни мерки за заштита на операторот од влијанието на осцилациите, како на пример: одржување на електро-алатот и на додатоци кон електро-алатот, одржување топли раце, организација на работните процеси.

▲ ПРЕДУПРЕДУВАЊЕ! Прочитајте ги сите безбедносни упатства, инструкции, илустрации и спецификации за овој електричен алат. Недоследно почитување на подолу наведените упатства може да предизвика електричен удар, пожар и/или сериозни повреди.

▲ НАПОМЕНИ ЗА БЕЗБЕДНОСТ ЗА РЕЦИПРО ПИЛИ

Држете го електричниот алат за изданиите површини при изведување на операции при кои алатот за сечење можат да дојдат во контакт со скриени жици. Контакт со жица под напон исто така ќе направи проводници од металните делови и оној кој ракува со алатот ќе доживее струен удар.

Употребувајте спајкалка за навртување или други практични помошни средства, за да го зацврстите делот што се обработува на стабилна подлога. Со држење на делот што се обработува со рака или негово притискање со телото, делот може да се лизне, а тоа може да доведе до губење на контролата.

ОСТАНАТИ БЕЗБЕДНОСНИ И РАБОТНИ УПАТСТВА

Употребувајте заштитна опрема. При работа со машината постојано носете заштитни очила. Се препорачува заштитна облека како: маска за заштита од прашина, заштитни ракавици, цврсти чевли што не се лизгаат, каица и заштита за уши.

Пршната која се создава при користење на овој алат може да биде штетна по здравјето. Не ја вдишувајте. Носете соодветна заштитна маска.

Не смеат да бидат обработувани материјали кои што можат да го зарозгат здравјето (на пр. азбест).

Доколку употребуваното орудие се блокира, молиме веднаш да се исклучи апаратот! Не го вклучувајте апаратот повторно додека употребуваното орудие е блокирано; притоа би можело да дојде до повратен удар со висок момент на реакција. Испитајте и отстранете ја причината за блокирањето на употребеното орудие имајќи ги во предвид напомените за безбедност.

Можни причини би можеле да се:

- Заканување во парчето кое што се обработува
- Кршење поради продирање на материјалот кој што се обработува
- Преоптоварување на електричното орудие

Не фаќајте во машината кога работи.

Употребеното орудие за време на примената може да стане многу жешко.

ПРЕДУПРЕДУВАЊЕ!

Опасност од изгоретини

- при менување на орудие
- при ставање на апаратот на страна

Пршната и струготините не смеат да се одстрануваат додека е машината работи.

Кога работите на сидови, таван или под внимавајте да ги избегнете електричните, гасните и водоводни инсталации.

Обезбедете го предметот кој што го обработувате со направа за напон. Необезбедени парчиња кои што се обработуваат можат да предизвикаат тешки повреди и оштетувања.

Не користете скршени или изобличени сечила.

Убодни резови без претходно дупчење се возможны кај меки материјали (дрво, лесни градежни материјали за сидови). Кај цврсти материјали (метали) мора првин да се направи дупка која ќе одговара на димензијата на пила.

Извадете го батерискиот склоп пред отпочнување на каков и да е зафат врз машината.

Не ги оставајте искористените батерии во домашниот отпад и не горете ги.

Дистрибутерите на Милвоки ги собираат старите батерии, со што ја штитат нашата околина.

Не ги чувајте батериите заедно со метални предмети (ризик од краток спој).

Метални парчиња не смеат да навлезат во делот за полнење на батерија (ризик од краток спој).

Користете исклучиво Систем 18 V за полнење на батерии од 18 V систем. Не користете батерии од друг систем.

Не ги отворајте насилно батериите и полначите, и чувајте ги само на суво место. Чувајте ги постојано суви.

Киселината од оштетените батериите може да истече при екстреман напон или температура. Доколку дојдете во контакт со исаата, измијте се веднаш со сапун и вода. Во случај на контакт со очите плакнете ги убаво најмалку 10 минути и задолжително одете на лекар.

Предупредување! За да избегнете опасност од пожар, од наранување или од оштетување на производот, коишто ги создава краток спој, не ја потопувајте во течност алатката, заменивајте батерија или полначот и пазете во уредите и во батериите да не проникнуваат течности. Корозивни или електропроводливи течности, како солена вода, одредени хемикалии, избелувачки препарати или производи кои содржат избелувачки супстанции, можат да предизвикаат краток спој.

ЕУ-ДЕКЛАРАЦИЈА ЗА СООБРАЗНОСТ

Во своја сопствена одговорност изјавуваме дека под "Технички податоци" опишаниот производ е во склад со сите релевантни прописи од регулативата 2011/65/EU (RoHS), 2014/30/EU, 2006/42/EC и следните хармонизирачки нормативни документи:

EN 62841-1:2015
EN 62841-2-11:2016
EN 55014-1:2017
EN 55014-2:2015
EN IEC 63000:2018

Winnenden, 2019-02-13

Alexander Krug

Alexander Krug
Managing Director



Оптомноштен за составување на техничката документација.

Techtron Industries GmbH
Max-Eyth-Straße 10
71364 Winnenden
Germany

СПЕЦИФИЦИРАНИ УСЛОВИ НА УПОТРЕБА

Оваа сабјаста пила сече дрво пластика и метал. Може да сече прави линии, кривини и внатрешни отсечоци. Сече цевки и може да сече паралелно со површината.

Не го користете овој производ на било кој друг начин освен пропишаниот за нормална употреба.

ЕЛЕКТРИЧНА КОЧНИЦА

При ослободување на притискиот од прекинувачот дискот за сечење се запира во рок од 2 секунди преку електричната кочница. Но, електричната кочница може да дејствува и одложено. Понекогаш електричната кочница не е делотворна. Доколку електричната кочница не дејствува почесто, во тој случај пиласта мора да биде донесена до овластен сервис-центар на Milwaukee. Дури по постигнување на состојба на мирување на дискот за сечење извечете ја пиласта од обработуваниот материјал.

БАТЕРИИ

Подолг период неупотребувани комплекти батерии да се наполнат пред употреба.

Температуре повисока од 50°C (122°F) го намалуваат траењето на батериите. Избегнувајте подолго изложување на батериите на високи температури или сонце (ризик од прегревање).

Клемите на полначот и батериите мора да бидат чисти.

За оптимален работен век, по употреба батериите мора да бидат целосно наполнети.

За можно подолг век на траење, апаратите после нивноото полнење треба да бидат извадени од апаратот за полнење на батериите.

Во случај на складирање на батеријата подолго од 30 дена. Акумулаторот да се чува на температура од приближно 27°C и на суво место. Акумулаторот да се складира на приближно 30%-50% од состојбата на наполнетост. Акумулаторот повторно да се наполни на секои 6 месеци.

ЗАШТИТА ОД ПРЕОПТЕРЕТУВАЊЕ НА БАТЕРИЈАТА

При преоптоварување на батеријата со многу висока потрошувачка на струја, на пример екстремно високи вртежни моменти, заплавување, ненадејно запирање или краток спој, електро-уредот бучи 2 секунди, а потоа самостојно се гаси. За повторно вклучување ослободете го прекинувачот и вклучете повторно. Во случај на екстремни оптоварувања батеријата може да загрее многу. Во таков случај батеријата исклучува.

ТРАНСПОРТ НА ЛИТИУМ-ЈОНСКИ БАТЕРИИ

Литиум-јонските батерии подлежат на законските одредби за транспорт на опасни материји.

Транспортот на овие батерии мора да се врши согласно локалните, националните и меѓународните прописи и одредби.

- Потрошувачите на овие батерии може да вршат непречен патен транспорт на истите.
- Комерцијалниот транспорт на литиум-јонски батерии од страна на шпедитерски претпријатија подлежат на одредбите за транспорт на опасни материји. Подготовките за шпедиција и транспорт треба да ги вршат исклучиво соодветно обучени лица. Целкупниот процес треба да биде стручно надгледуван.

При транспортот на батерии треба да се внимава на следното:

- Осигурајте се дека контактите се заштитени и изолирани, а сето тоа со цел да се избегнат кратки споеви.
- Внимавајте да не дојде до измествување на батериите во нивната амбалажа.
- Забранет е транспорт на оштетени или протечени литиум-јонски батерии.

За понатамошни инструкции обратете се до Вашето шпедитерско претпријатие.

ОДРЖУВАЊЕ

Вентилациските отвори на машината мора да бидат комплетно отворени постојано.

Користете само Milwaukee додатоци и резервни делови. Доколку некои од компонентите кои не се опишани треба да бидат заменети, Ве молиме контактирајте ги сервисните агенти на Milwaukee (консултирајте ја листата на адреси).

При потреба може да се побара експлозионен цртеж на апаратот со наведување на машинскиот тип и шестоцифрениот број на табличката со учинкот или во Вашата корисничка служба или директно кај Techtron Industries GmbH, Max-Eyth-Straße 10, 71364 Winnenden, Германија.

СИМБОЛИ



ВНИМАНИЕ! ПРЕДУПРЕДУВАЊЕ! ОПАСНОСТ!



Извадете го батерискиот склоп пред отпочнување на каков и да е зафат врз машината.



Ве молиме пред да ја стартувате машината обрнете внимание на упатствата за употреба.



Секогаш при користење на машината носете ракавици.



Дополнителна опрема - Не е вклучена во стандардната, а достапна е како додаток.



Електричните апарати и батериите што се полнат не смеат да се фрлат заедно со домашниот отпад. Електричните апарати и батериите треба да се собираат одделно и да се однесат во соодветниот погон заради нивно фрлање во склад со начелата за заштита на околината. Информирајте се кај Вашите местни служби или кај специјализираниот трговски претставник, каде има такви погони за рециклажа и собирни станици.



Ударен момент при не оптовареност (на слободно)



Волти



Истосмерна струја



Украинска ознака за сообразност



Евроазиска ознака за сообразност

ТЕХНІЧНІ ХАРАКТЕРИСТИКИ	АКУМУЛЯТОРНА ШАБЕЛЬНА ПИЛКА	C 18 HZ
Номер виробу.....	4526 65 03...	
.....	4467 30 03.....	
.....	4313 78 03.....	
.....	...000001-999999	
Напруга змінної акумуляторної батареї.....	18 V	
Споживана потужність.....	0-3000 min ⁻¹	
Висота ходу.....	20 mm	
Вага згідно з процедурою EPTA 01/2014 (1,5 Ah).....	2,2 kg	
Вага згідно з процедурою EPTA 01/2014 (3,0 Ah).....	2,5 kg	
Рекомендована температура довкілля під час роботи.....	-18...+50 °C	
Рекомендовані типи акумуляторів.....	M18B...	
Рекомендовані зарядні пристрої.....	M12-18C, M12-18AC, M12-18FC, M1418C6	

Шум / інформація про вібрацію

Виміряні значення визначені згідно з EN 62841.

Рівень шуму "А" приладу становить в типовому випадку:

Рівень звукового тиску (похибка K = 3 дБ(А)).....81 дБ (А)

Рівень звукової потужності (похибка K = 3 дБ(А)).....92 дБ (А)

Використовувати засоби захисту органів слуху!

Сумарні значення вібрації (векторна сума трьох напрямків), встановлені згідно з EN 62841.

Значення вібрації a_w.....7,2 m/s²

Пилання деревини.....1,5 m/s²

похибка K =

* з пилковим полотном bimetal, розмір 150 x1,25 мм, крок зубів 5 мм

ПОПЕРЕДЖЕННЯ!

Рівень вібрації, вказаний в цій інструкції, вимірювався згідно з методом вимірювання, нормованим стандартом EN 62841, і може використовуватися для порівняння електронструментів. Він призначений також для попередньої оцінки навантаження від вібрації.

Вказаний рівень вібрації відповідає основним сферам використання електронструменту. Але якщо електронструмент використовується для іншої мети, з іншими вставними інструментами або при недостатньому технічному обслуговуванні, рівень вібрації може бути іншим. Це може значно підвищити навантаження від вібрації за весь період роботи.

Для точної оцінки навантаження від вібрації необхідно також враховувати час, коли прилад вимкнений або увімкнений, але фактично не використовується. Це може значно зменшити навантаження від вібрації за весь період роботи.

Визначте додаткові заходи безпеки для захисту оператора від дії вібрації, наприклад: Технічне обслуговування електронструменту та вставних інструментів, зігрівання рук, організація робочих процесів.

⚠ УВАГА! Ознайомитись з усіма попередженнями з безпечного використання, інструкціями, ілюстративним матеріалом та технічними характеристиками, які надаються з цим електричним інструментом. Недотримання всіх наведених нижче інструкцій може призвести до ураження електричним струмом, пожежі та/або важких травм.

⚠ ВКАЗІВКИ З ТЕХНІКИ БЕЗПЕКИ ДЛЯ ШАБЕЛЬНИХ ПИЛОК

Під час виконання робіт тримайте прилад за ізольовані поверхні рукояток, якщо вставний інструмент може натратити на приховані електричні лінії. Контакт з лінією під напругою може призвести до появи напруги в металевих частинах приладу та до ураження електричним струмом.

Закріпліть і зафіксувати заготовку в лещатах або іншим способом на стабільній основі. Якщо ви утримуєте заготовку тільки рукою або притискаєте до тіла, вона залишається рухомою, що може призвести до втрати контролю.

ДОДАТКОВІ ІНСТРУКЦІЇ З ТЕХНІКИ БЕЗПЕКИ ТА ЕКСПЛУАТАЦІЇ

Використуйте індивідуальні засоби захисту. Під час роботи з машиною завжди носите захисні окуляри. Радімо використовувати захисний одяг, як наприклад маску для захисту від пилу, захисні рукавиці, міцне та нековзне взуття, каску та засоби захисту органів слуху.

Пил, що утворюється під час роботи, часто буває шкідливим для здоров'я; він не повинен потрапляти в организм. Носити відповідну маску для захисту від пилу.

Не можна обробляти матеріали, небезпечні для здоров'я (наприклад, азбест).

При блокуванні вставного інструменту негайно вимкніть прилад! Не вмикайте прилад, якщо вставний інструмент заблокований; при цьому може виникати віддача з високим зворотним моментом. Визначити та усунути причину блокування вставного інструменту з урахуванням вказівок з техніки безпеки.

Можливі причини:

- Перекіс в заготовці, що обробляється
- Пробивання оброблюваного матеріалу
- Перевантаження електронструмента

Частина тіла не повинні потрапляти в машину, коли вона працює.

Вставний інструмент може нагріватися під час роботи.

ПОПЕРЕДЖЕННЯ!

Небезпека опіків

- при заміні інструменту
- при відкладанні приладу

Не можна видаляти стружку або уламки, коли машина працює.

СЕРТИФІКАТ ВІДПОВІДНОСТІ ВИМОГАМ ЄС

Ми заявляємо на власну відповідальність, що виріб, описаний в "Технічних даних", відповідає всім застосованим положенням директиви 2011/65/EU (RoHS), 2014/30/EU, 2006/42/EG, та наступним гармонізованим нормативним документам:

EN 62841-1:2015

EN 62841-2-11:2016

EN 55014-1:2017

EN 55014-2:2015

EN IEC 63000:2018

Winnenden, 2019-02-13



Alexander Krug

Managing Director

Уповноважений із складання технічної документації.

Technronic Industries GmbH

Max-Eyth-Straße 10

71364 Winnenden

Germany

ВИКОРИСТАННЯ ЗА ПРИЗНАЧЕННЯМ

Шабельна пила ріже деревину, пластик і метал. Вона ріже рівні лінії, криві та внутрішні розрізи. Вона ріже труби та відрізає уривень з поверхню.

Цей прилад можна використовувати тільки за призначенням так, як вказано в цьому документі.

ЕЛЕКТРИЧНЕ ГАЛЬМО

При відпусканні натискного вимикача пилкове полотно зупиняється електричним гальмом на протязі прибл. 2 секунд. Однак електричне гальмо може діяти також з запізненням. Інколи електричне гальмо не діє. Якщо електричне гальмо часто не вмикається, пилку необхідно відравити в авторизований сервісний центр Milwaukee. Витягувати пилку з заготовки тільки після зупинки пилкового полотна.

АКУМУЛЯТОРНІ БАТАРЕЇ

Змінну акумуляторну батарею, що не використовувалася тривалий час, перед використанням необхідно підзарядити.

Температура понад 50 °C зменшує потужність змінної акумуляторної батареї. Уникати тривалого нагрівання сонячними променями або системою обігріву.

З'єднувальні контакти зарядного пристрою та змінної акумуляторної батареї повинні бути чистими.

Для забезпечення оптимального строку експлуатації акумуляторні батареї після використання необхідно повністю зарядити.

Для забезпечення максимально можливого терміну експлуатації акумуляторні батареї після зарядки необхідно виміяти з зарядного пристрою.

При зберіганні акумуляторної батареї понад 30 днів: Зберігати акумуляторну батарею при температурі приблизно 27 °C в сухому місці. Зберігати акумуляторну батарею в стані зарядки приблизно 30-50 %.

Кожні 6 місяців заново заряджати акумуляторну батарею.

ЗАХИСТ АКУМУЛЯТОРНОЇ БАТАРЕЇ ВІД ПЕРЕВАНТАЖЕННЯ

При перевантаженні акумуляторної батареї внаслідок занадто великого споживання струму, наприклад, при занадто високому крутильному моменту, заклинюванні пилкового диску, раптової зупинки або короткому замкненню, електронструмент зупиняється на 2 секунди та самостійно вимикається. Для повторного увімкнення відпустити кнопку вимикача і знов увімкнути. При надзвичайному навантаженні акумуляторна батарея може дуже сильно нагрітись. В такому випадку акумуляторна батарея вимикається.

ТРАНСПОРТУВАННЯ ЛІТІЙ-ІОННИХ АКУМУЛЯТОРНИХ БАТАРЕЇ

Літій-іонні акумуляторні батареї підпадають під законоположення про перевезення небезпечних вантажів.

Транспортування таких акумуляторних батарей повинно відбуватися із дотриманням місцевих, національних та міжнародних приписів та положень.

- споживачі можуть без проблем транспортувати ці акумуляторні батареї по вулиці.
- Комерційне транспортування літій-іонних акумуляторних батарей експедиторськими компаніями підпадає під положення про транспортування небезпечних вантажів. Підготовку до відправлення та транспортування можуть здійснювати виключно особи, які пройшли відповідне навчання. Весь процес повинні контролювати кваліфіковані фахівці.

При транспортуванні акумуляторних батарей необхідно дотримуватись зазначених далі пунктів:

- Переконайтеся в тому, що контакти захищені та ізольовані, щоб запобігти короткому замкненню.
- Слідкуйте за тим, щоб акумуляторна батарея не переміщувалася всередині упаковки.
- Пошкоджені акумуляторні батареї, або акумуляторні батареї, що потекли, не можна транспортувати.

Для отримання подальших вказівок звертайтеся до своєї експедиторської компанії.








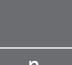




ОБСЛУГОВУВАННЯ

Завжди підтримувати чистоту вентиляційних отворів.

Використовувати тільки комплектуючі та запчастини Milwaukee. Деталі, заміна яких не описується, замовляти тільки в відділі обслуговування клієнтів Milwaukee (зверніть увагу на брошуру "Гарантія / адреси сервісних центрів").

У разі необхідності можна запросити креслення з зображенням вузлів машини в перспективному вигляді, для цього потрібно звернутися в ваш відділ обслуговування клієнтів або безпосередньо в Technronic Industries GmbH, Max-Eyth-Straße 10, 71364 Winnenden, Німеччина, та вказати тип машини та шестизначний номер на фірмовій таблиці з даними машини.

СИМВОЛИ

	УВАГА! ПОПЕРЕДЖЕННЯ! НЕБЕЗПЕЧНО!
	Перед будь-якими роботами на машині виїняти змінну акумуляторну батарею
	Уважно прочитайте інструкцію з експлуатації перед введенням приладу в дію.
	Під час роботи з машиною завжди носити захисні окуляри.
	Комплектуючі - не входять в обсяг постачання, рекомендовані доповнення з програми комплектуючих.
	Електроприлади, батареї/акумулятори заборонено утилізувати разом з побутовим сміттям.
	Електричні прилади і акумулятори слід збирати окремо і здавати в спеціалізовану компанію для утилізації відповідно до норм охорони довкілля. Зверніться до місцевих органів або до вашого дилера, щоб отримати адреси пунктів вторинної переробки та пунктів прийому.
	Споживана потужність
	Напруга
	Постійний струм
	Європейський знак відповідності
	Український знак відповідності
	Євразійський знак відповідності

البيانات الفنية	مقرب دوار	C18HZ
إنتاج عدد	4526 65 03...	4467 30 03...
.....	4313 78 03.....	0000001-999999.....
.....
فراطية البطارية	18 V	0-3000 min ⁻¹
معدل الحركة النظامية مع عدم وجود أعمال	20 mm	2,2 kg
أطول الحركة النظامية	2,5 kg	18...+50 °C
الوزن وفقا لنهج EPTA رقم 01/2014 (1,5 Ah) (1,5 Ah)	M18B...
الوزن وفقا لنهج EPTA رقم 01/2014 (3,0 Ah) (1,5 Ah)	M12-18C, M12-18AC, M12-18FC, M1418C6
درجة حرارة الجو المحيط المنصوح بها عند العمل
طرز البطارية المنصوح به
أجهزة الشحن المنصوح بها

معلومات الضوضاء/الضجبات

القيم التي تم قياسها محددة وفقا للمعايير الأوروبية 62841 EN
مستويات ضوضاء الجهاز، ترجيح أ بشكل نموذجي كاتالي،
مستوى ضغط الصوت (الارتباب في القياس = 3 ديسيبل (A))	81 dB (A)
مستوى شدة الصوت (الارتباب في القياس = 3 ديسيبل (A))	92 dB (A)
ارتد وإهتات الأذن!

قيم الضجبات الإجمالي (مجموع الكميات الموجبة في المحاور الثلاثة) محددة وفقا للمعايير الأوروبية 62841
قيمة انبعاث الضجبات (ah)	7,2 m/s ²
قطع الخشب *	1,5 m/s ²
الارتباب في القياس
* مع شفرة للمنشار bimetal، بحجم 150x1,25 مم وتقسيم لأسنان الشفرة 5 مم
تحذير!

تم قياس مستوى انبعاث الضجبات الموجود بوثيقة المعلومات هذه وفقا للاختبار القياسي وفقا للمعايير الأوروبية 62841 EN ويمكن استخدامه لمقارنة جهاز بغيره. كما يمكن استخدامه لعرض تقييم تمهيدي.

يمل مستوى انبعاث الضجبات المعان عنه تطبيقات الجهاز الرئيسية. بالرغم من ذلك، فإنه إذا ما تم استخدام الجهاز لتطبيقات مختلفة، بملحقات مختلفة أو لم يتم المحافظة عليه، فقد يختلف انبعاث الضجبات. قد يزيد ذلك بصورة كبيرة من مستوى التعرض للضجبات طوال فترة العمل الإجمالية.

يجب الوضع في الاعتبار عند تقدير مستوى التعرض للضجبات مرات إيقاف الجهاز أو تشغيله لكون استخدام في القيام بمهمة. فقد يقل ذلك بصورة كبيرة من مستوى التعرض للضجبات طوال فترة العمل الإجمالية.

تعرف على معايير السلامة الإضافية لحماية المشغل من آثار الضجبات مثل: صيانة الجهاز والملحقات، الحفاظ على هدف الأيدي، وتنظيم نماذج العمل.

! تحذير اقرأ جميع تحذيرات الأمان والتعليمات والصور والمواصفات الواردة مع هذه المعدة الكهربائية. المخالفة في اتباع التعليمات المذكورة أسفله قد يكون نتيجتها صدمة كهربائية، حرق و / أو إصابة بالغة.

صورة من آلة الحفر اليدوية

صورة من آلة الحفر اليدوية

صورة من آلة الحفر اليدوية

صورة من آلة الحفر اليدوية

صورة من آلة الحفر اليدوية

صورة من آلة الحفر اليدوية

صورة من آلة الحفر اليدوية

صورة من آلة الحفر اليدوية

صورة من آلة الحفر اليدوية

صورة من آلة الحفر اليدوية

صورة من آلة الحفر اليدوية

صورة من آلة الحفر اليدوية

صورة من آلة الحفر اليدوية

صورة من آلة الحفر اليدوية

صورة من آلة الحفر اليدوية

صورة من آلة الحفر اليدوية

صورة من آلة الحفر اليدوية

صورة من آلة الحفر اليدوية

صورة من آلة الحفر اليدوية

صورة من آلة الحفر اليدوية

صورة من آلة الحفر اليدوية

صورة من آلة الحفر اليدوية

صورة من آلة الحفر اليدوية

صورة من آلة الحفر اليدوية

صورة من آلة الحفر اليدوية

صورة من آلة الحفر اليدوية

صورة من آلة الحفر اليدوية

صورة من آلة الحفر اليدوية

صورة من آلة الحفر اليدوية

صورة من آلة الحفر اليدوية

صورة من آلة الحفر اليدوية

صورة من آلة الحفر اليدوية

صورة من آلة الحفر اليدوية

صورة من آلة الحفر اليدوية

صورة من آلة الحفر اليدوية

صورة من آلة الحفر اليدوية

صورة من آلة الحفر اليدوية

صورة من آلة الحفر اليدوية

صورة من آلة الحفر اليدوية

صورة من آلة الحفر اليدوية

صورة من آلة الحفر اليدوية

صورة من آلة الحفر اليدوية

صورة من آلة الحفر اليدوية

صورة من آلة الحفر اليدوية

صورة من آلة الحفر اليدوية

صورة من آلة الحفر اليدوية

صورة من آلة الحفر اليدوية

صورة من آلة الحفر اليدوية

صورة من آلة الحفر اليدوية

صورة من آلة الحفر اليدوية

صورة من آلة الحفر اليدوية

صورة من آلة الحفر اليدوية

إعلان المطابقة - الاتحاد الأوروبي

موجب هذا نقر على مسؤوليتنا المنفردة، أن المنتج المذكور الموصوف تحت "البيانات الفنية" يلي جميع التعليمات الهامة الخاصة بالمعايير 2011/65/EU (RoHS), 2014/30/EU, 2006/42/EG وتطابق مع وثائق المعايير المتوافقة التالية:

EN 62841-1:2015
EN 62841-2-11:2016
EN 55014-1:2017
EN 55014-2:2015
EN IEC 63000:2018

Winnenden, 2019-02-13

	<i>Alexander Krug</i>
CE	Alexander Krug Managing Director
	معمتدة للمطابقة مع الملف الفني
	Techtronic Industries GmbH Max-Eyth-Straße 10 Winnenden 71364 Germany

شروط الاستخدام المحددة

يمكن استخدام هذا السيف المقاطع لقطع الأخشاب والبلاستيك والمعادن. ويمكنه قطع الخطوط المستقيمة والتعاريح والقواطع الداخلية. يمكنه قطع الأنابيب ويمكنه القطع المباشر حتى السطح.

لا تستخدم هذا المنتج بأي طريقة أخرى غير مصرح بها للاستخدام العادي.

المحاذير الكهربائية

يتم تعشيق الغوامل الكهربائية عند تحرير الزناد، مما يؤدي إلى توقف الشفرة والسما لك بمقابلة علك. بصفة عامة، تتوقف شفرة المنشار في غضون ثابنتين. ومع ذلك، قد يكون هناك تأخير بين وقت تحرير الزناد وتعشيق الفرامل. وأحيانا قد تتوقف الفرامل تماما. إذا أخفقت الفرامل بشكل متكرر، يكون المنشار بحاجة إلى صيانته من قبل مرفق خدمة ميلوكي المعتمد.

يتعين دائما الانتظار حتى تتوقف الشفرة تماما قبل إزالة المنشار من القطعة التي يتم العمل عليها.

البطاريات

يجب إعادة شحن البطارية غير المستخدمة لفترة قبل الاستخدام.

تظل درجات الحرارة التي تتجاوز 50°سليزيوس (122°فهرنهايت) من أداء البطارية. تجنب التعرض الزائد للحرارة أو أشعة الشمس (خطر التسخين).

يجب الحفاظ على محتويات الشواحن و البطاريات نظيفة.

للحصول على فترة استخدام مثالية، يجب شحن البطاريات تماما، بعد الاستخدام.

للحصول على أطول عمر ممكن للبطارية، انزع البطارية من الشاحن بمجرد شحنها تماما.

لتحزين البطارية أكثر من 30 يوم

خزن البطارية بحيث تكون درجة الحرارة أقل من 27° سليزيوس وبعيدا عن أي رطوبة
خزن البطارية مشحونة بنسبة تتراوح بين 30 -50 %
اشحن البطارية كالمعتاد، وذلك كل ستة اشهر من التخزين.

حماية البطارية

في المواقف التي يكون فيها عزم الدوران عال بشدة، وإعاقة الحركة والتباطؤ والتصور في الدائرة الكهربائية الذي ينتج عنه سحب لقدر كبير من التيار الكهربوي، سيمتد الآلة لمدة 2 ثانية ثم تتوقف عن العمل

لاعادة المصطط حرر الزناد.

في الظروف القصوى للعمل، قد ترتفع درجة حرارة البطارية الداخلية بشدة. إذا ما حدث ذلك، ستوقف البطارية عن العمل.

نقل بطاريات الليثيوم

تخضع بطاريات الليثيوم ليون لشروط قوانين نقل السلع الخطرة.

ويجب نقل هذه البطاريات وفقا للأحكام والقوانين المحلية والوطنية والدولية.

• يمكن للمستخدم نقل البطاريات برا دون الخضوع لشروط أخرى.

• يخضع النقل التجاري لبطاريات الليثيوم أيون عن طريق الغير إلى قوانين نقل السلع الخطرة. يتعين أن يقوم أفراد مدربون جيدا بالإعداد لعملية النقل والقيام بها بصحبة خبراء مثلهم. متى نُقلَّ البطاريات:

• عند التأكد من حماية أطراف توصيل البطارية وعزلها تجنبًا لحدوث قصر بالدارنة.

• عند التأكد من حماية حزمة البطارية من الحركة داخل صندوق التعبئة.

• يُرجى عدم نقل البطاريات التي بها تشققات أو تسربات.

يُرجى البحث مع شركة الشحن عن نصيحة أخرى

الصيانة

يجب أن تكون فححات تهوية الجهاز نظيفة طوال الوقت.

استخدم فقط ملحقات ميلوكي وكذلك قطع غيار ميلوكي. إذا كانت المكونات التي يجب تغيير ها غير متوفرة، يرجى الاتصال باحد عملاء صيانة ميلوكي (انظر قائمة عنوانين الضمان/الصيانة الخاصة بنا).

عند الحاجة يمكن طلب رمز انفجار الجهاز بعد ذكر طراز الآلة والرقم السداسي المذكور على بطاقة طاقة الآلة لدى جهة خدمة العملاء أو مباشرة لدى شركة Techtronic Industries GmbH, Max-Eyth-Straße 10, 71364 Winnenden ألمانيا

زؤمرولا

تنبيه! تحذير! خطر!

قم بإزالة حزمة البطارية قبل البدء في أي أعمال على الجهاز.

يرجى قراءة التعليمات بعناية قبل بدء تشغيل الجهاز.

ارتد دائما نظارات الوقية عند استخدام الجهاز.

الملحق - ليس مدرجا كمعدة قياسية، متوفر كملحق.

يحظر التخلص من الأجهزة الكهربائية والبطاريات/البطاريات القابلة للشحن في القمامة المنزلية. يجب جمع الأجهزة الكهربائية والبطاريات القابلة للشحن منفصلة وتسليمها للتخلص منها بشكل لا يضر بالبيئة لدى شركة إعادة استغلال.

الرجاء الاستفسار لدى الهيئات المحلية أو لدى التجار المتخصصين عن مواقع إعادة الاستغلال ومواقع الجمع.

معدل الحركة النظامية مع عدم وجود أعمال

الجهد الكهربائي

التيار المستمر

علامة التوافق الأوربية

علامة التوافق الأوكرانية

علامة التوافق الأوربية الاسيوية

Copyright 2019
Techtronic Industries GmbH
Max-Eyth-Straße 10
71364 Winnenden
Germany
+49 (0) 7195-12-0



(02.19)
4931 4147 19